



Chipsmall Limited consists of a professional team with an average of over 10 year of expertise in the distribution of electronic components. Based in Hongkong, we have already established firm and mutual-benefit business relationships with customers from,Europe,America and south Asia,supplying obsolete and hard-to-find components to meet their specific needs.

With the principle of "Quality Parts,Customers Priority,Honest Operation,and Considerate Service",our business mainly focus on the distribution of electronic components. Line cards we deal with include Microchip,ALPS,ROHM,Xilinx,Pulse,ON,Everlight and Freescale. Main products comprise IC,Modules,Potentiometer,IC Socket,Relay,Connector.Our parts cover such applications as commercial,industrial, and automotives areas.

We are looking forward to setting up business relationship with you and hope to provide you with the best service and solution. Let us make a better world for our industry!



Contact us

Tel: +86-755-8981 8866 Fax: +86-755-8427 6832

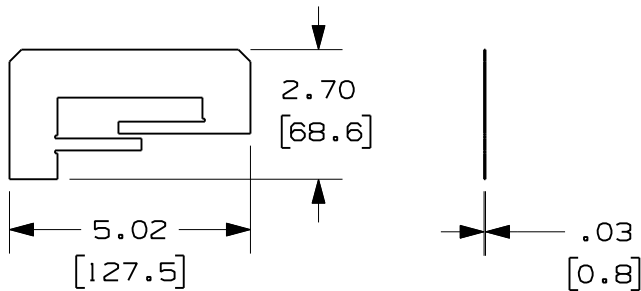
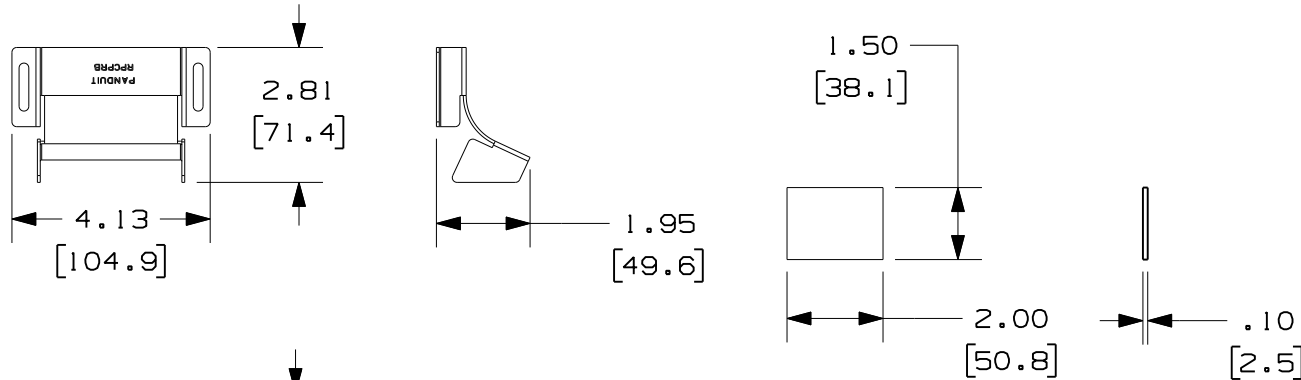
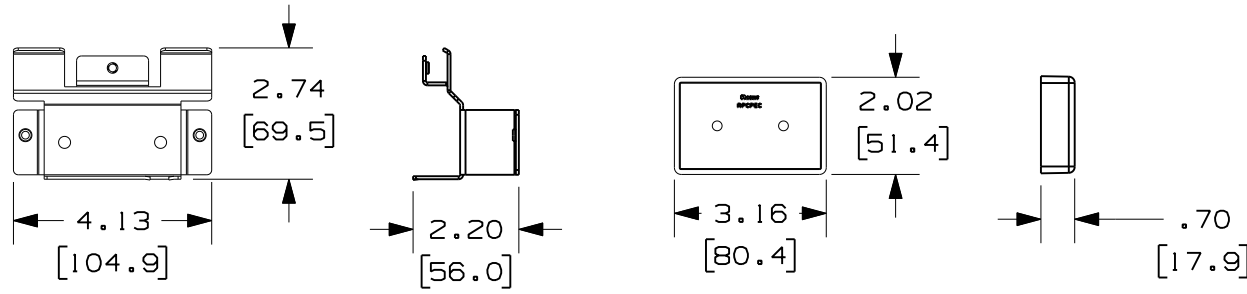
Email & Skype: info@chipsmall.com Web: www.chipsmall.com

Address: A1208, Overseas Decoration Building, #122 Zhenhua RD., Futian, Shenzhen, China



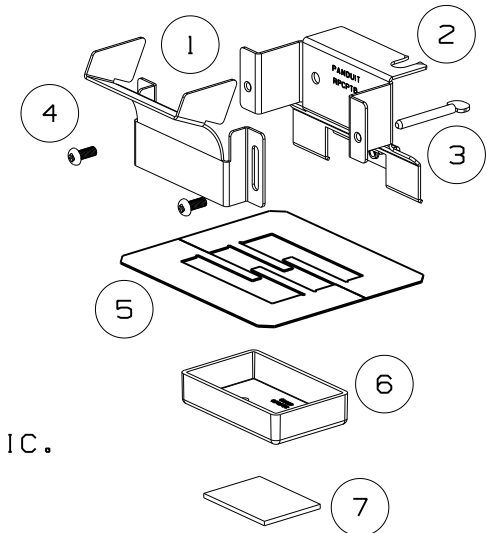
THIS COPY IS PROVIDED ON A RESTRICTED BASIS AND IS NOT TO BE USED IN ANY WAY DETRIMENTAL TO THE INTERESTS OF PANDUIT CORP.

PARTS LIST		
TAG	PANDUIT P/N	QTY.
①	RPCPRB	1
②	RPCPTB	1
③	36844-18	2
④	37043-05	2
⑤	RPCPCC	2
⑥	RPCPEC	1
⑦	RPCPVP (VELCRO PAD)	1



NOTES:

1. DIMENSIONS IN PARENTHESIS ARE IN METRIC.



CAD FILENAME/LAYERS D37043BJ_DC_PCPKIT/01A

PANDUIT CORP. TINLEY PARK, ILLINOIS
 POWER POLE HARDWARE KIT (PCPKIT)
 CUSTOMER DRAWING

UNLESS OTHERWISE SPECIFIED, DIMENSIONAL TOLERANCES ARE:
 (.X) ± (.XXX) ±
 (.XX) ± .03 (.8) ANGLES ±

UNLESS OTHERWISE SPECIFIED, ALL DIMENSIONS ARE GIVEN IN INCHES, THIRD ANGLE PROJECTION.

REV	DATE	BY	CHK	DESCRIPTION	ECN	R	CUST	SUP
I	08-28-08	BDK	JBN	B. REVISED PART QUANTITY: 2 WAS 1 A. REVISED PART NUMBER: RPCPCC WAS RPCPCP	37043-10	RTF	RTF	
R	05-15-01	JBN	MKBE	RELEASED TO PRODUCTION	37043-10	HIW	HIW	

DRAWN BY JBN	MAT'L: STEEL & PVC	SCALE NONE
DATE 05-15-01		DRAWING NO. 37043-10
CHK'D MKBE		DWG A SIZE