



Chipsmall Limited consists of a professional team with an average of over 10 year of expertise in the distribution of electronic components. Based in Hongkong, we have already established firm and mutual-benefit business relationships with customers from,Europe,America and south Asia,supplying obsolete and hard-to-find components to meet their specific needs.

With the principle of "Quality Parts,Customers Priority,Honest Operation,and Considerate Service",our business mainly focus on the distribution of electronic components. Line cards we deal with include Microchip,ALPS,ROHM,Xilinx,Pulse,ON,Everlight and Freescale. Main products comprise IC,Modules,Potentiometer,IC Socket,Relay,Connector.Our parts cover such applications as commercial,industrial, and automotives areas.

We are looking forward to setting up business relationship with you and hope to provide you with the best service and solution. Let us make a better world for our industry!



## Contact us

Tel: +86-755-8981 8866 Fax: +86-755-8427 6832

Email & Skype: info@chipsmall.com Web: www.chipsmall.com

Address: A1208, Overseas Decoration Building, #122 Zhenhua RD., Futian, Shenzhen, China



THIS COPY IS PROVIDED ON A RESTRICTED BASIS AND IS NOT TO BE USED IN ANY WAY DETRIMENTAL TO THE INTERESTS OF PANDUIT CORP.

**NOTES, UNLESS OTHERWISE SPECIFIED:**

**PANDUIT PCRT1 TOOL:  
FOR INSTALLING OR REMOVING COPPER PATCH CORD PLUGS  
AND FIBER OPTIC PATCH CORD CONNECTORS.**

- PCRT1 IS SUPPLIED WITH THREE DIFFERENT STYLE CONNECTOR BOOTS:

(2) FOR LC/SC FIBER OPTIC PATCH CORD CONNECTORS

(2) FOR ST FIBER OPTIC PATCH CORD CONNECTORS

(1) FOR PVIQ COPPER PATCH CORD PLUGS

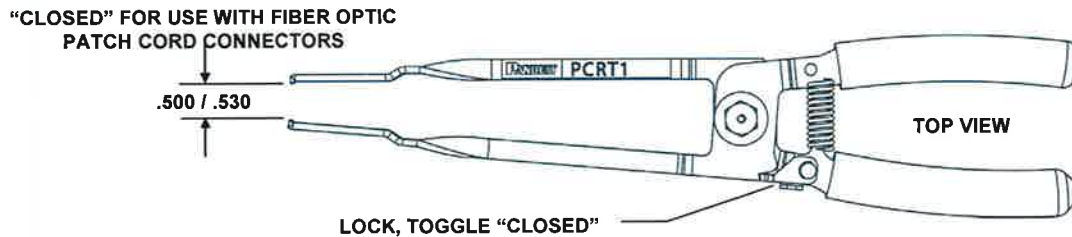
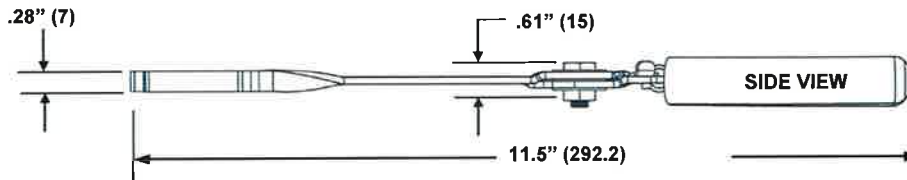
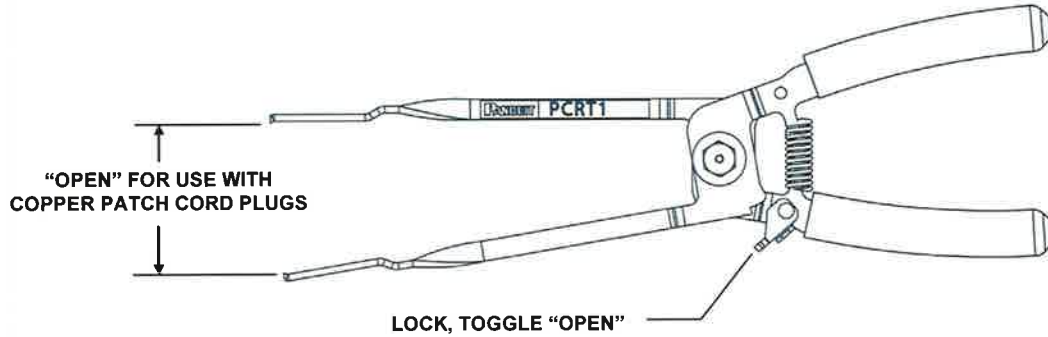
**TOOL WEIGHT:** 0.36 lbs. (161.5 g)

**TOOL MATERIAL:** HEAT TREATED, POWDERED COATED STEEL

- KPCRT1-FL FLASHLIGHT KIT  
(AVAILABLE SEPARATELY)

**DIMENSIONS SHOWN IN PARENTHESES ARE METRIC, AND ARE FOR REFERENCE ONLY.**

F:\wrkgrp\rvusers\ENGR DOCS\CUSTOMER DRAWINGS\RG25512B01\_04 PCRT1 CD.doc



|   |                                      |
|---|--------------------------------------|
| <b>PCRT1<br/>CUSTOMER DRAWING</b>   |                                      |
| CUSTOMER DRAWING  |                                      |
| ITEM REVISION NAME:<br><b>RG25512B01_04</b>   | <b>PANDUIT</b>                       |
| UNLESS OTHERWISE SPECIFIED,<br>DIMENSIONAL TOLERANCES ARE:<br>(.x) ± —      (.xxx) ± —<br>(.xx) ± —     ANGLS ± — | MATERIAL:<br>—————                   |
| THIRD ANGLE<br>PROJECTION   | DRAWING NUMBER:<br><b>RG25512B01</b> |
| DRAWN BY: BLR    DATE: 7-29-14    CHK: BJPU    SCALE: NONE  | SHT 1 OF 1    SIZE: B                |

|     |         |     |     |     |   |      |
|-----|---------|-----|-----|-----|---|------|
| 04  | 7-29-14 | BLR |     |     | REDRAWN; NEW TEMPLATE, UPD<br>BRANDING, # OF PVIQ PLUGS | 4765 |
| REV | DATE    | BY  | CHK | APR | DESCRIPTION   | ECN  |