



Chipsmall Limited consists of a professional team with an average of over 10 year of expertise in the distribution of electronic components. Based in Hongkong, we have already established firm and mutual-benefit business relationships with customers from,Europe,America and south Asia,supplying obsolete and hard-to-find components to meet their specific needs.

With the principle of "Quality Parts,Customers Priority,Honest Operation,and Considerate Service",our business mainly focus on the distribution of electronic components. Line cards we deal with include Microchip,ALPS,ROHM,Xilinx,Pulse,ON,Everlight and Freescale. Main products comprise IC,Modules,Potentiometer,IC Socket,Relay,Connector.Our parts cover such applications as commercial,industrial, and automotives areas.

We are looking forward to setting up business relationship with you and hope to provide you with the best service and solution. Let us make a better world for our industry!



Contact us

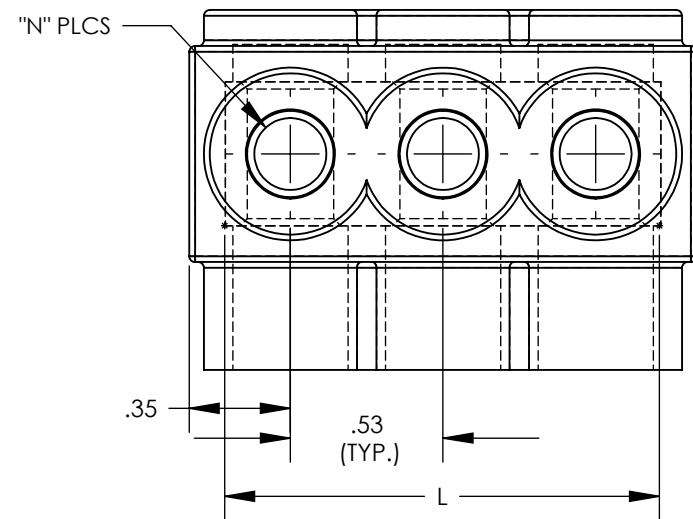
Tel: +86-755-8981 8866 Fax: +86-755-8427 6832

Email & Skype: info@chipsmall.com Web: www.chipsmall.com

Address: A1208, Overseas Decoration Building, #122 Zhenhua RD., Futian, Shenzhen, China

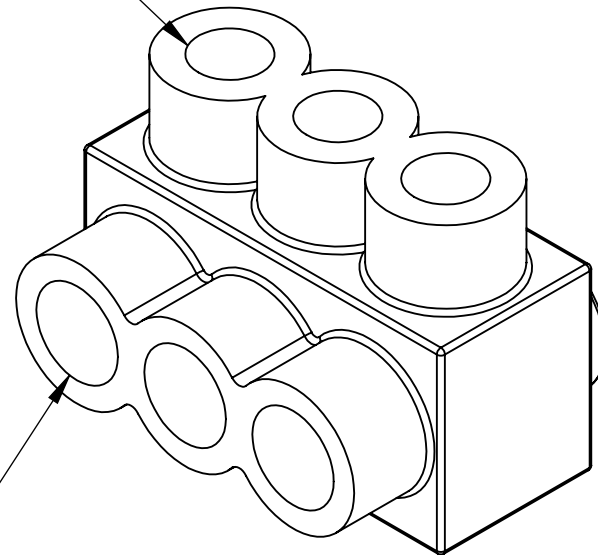


THIS COPY IS PROVIDED ON A RESTRICTED BASIS AND IS NOT TO BE USED IN ANY WAY DETRIMENTAL TO THE INTERESTS OF PANDUIT CORP.

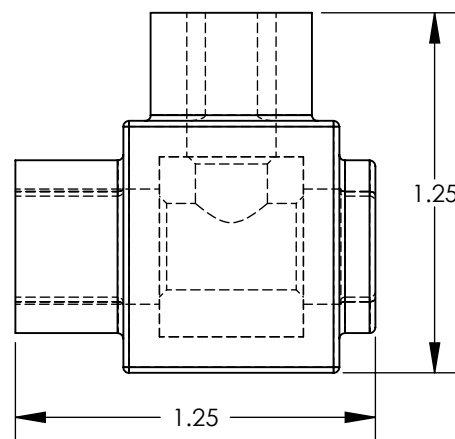
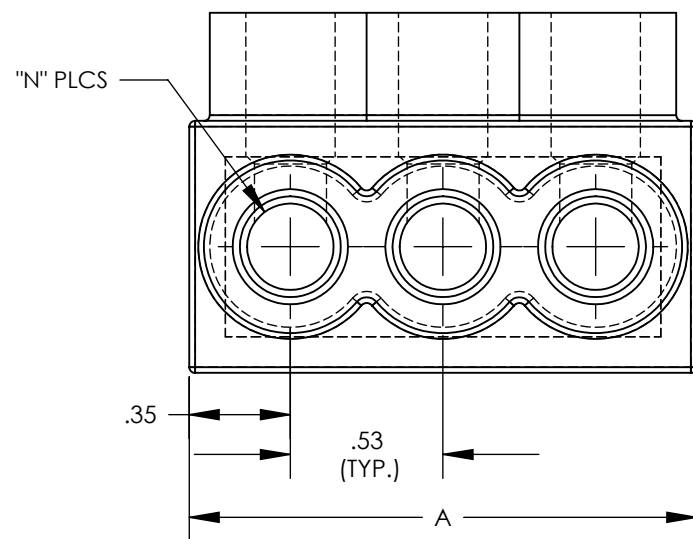


CLAMPLING SCREW ACCESS PORT (TYP.)

CONDUCTOR PORT (TYP.)



THREE PORT CONNECTOR BLOCK SHOWN WITH PLASTIC CLOSURE PLUGS REMOVED. SEE TABLE FOR DIMENSIONS OF PARTS WITH ADDITIONAL PORTS



PANDUIT FINISHED GOODS P/N	CONDUCTOR RANGE	HEX KEY	SCREW QTY.	CAP (SCREW PORT) QTY.	CAP (WIRE PORT) QTY.	A	L	N	TIGHTENING TORQUE
PCSB2/0-2S-6	# 2/0 - # 14 STR # 10 - # 14 SOL	3/16	2	2	2	1.52	1.265	2	12.0 in/lb
PCSB2/0-3S-6Y		3/16	3	3	3	2.19	1.937	3	
PCSB2/0-4S-6Y		3/16	4	4	4	2.86	2.609	4	
PCSB2/0-5S-4Y		3/16	5	5	5	3.53	3.281	5	
PCSB2/0-6S-4Y		3/16	6	6	6	4.20	3.953	6	
PCSB2/0-8S-3Y		3/16	8	8	8	5.55	5.297	8	
PCSB2/0-10S-2Y		3/16	10	10	2.0	6.89	6.641	10	
PCSB2/0-12S-1Y		3/16	12	12	2.4	8.24	7.985	12	
PCSB2/0-14S-1Y		3/16	14	14	2.8	9.58	9.329	14	



NOTES:

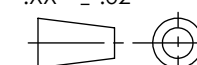
- UL486A-UL486B LISTED, DUAL RATED CU9AL FOR ALUMINUM OR COPPER CONDUCTORS. MEETS OR EXCEEDS ANSI C119.4
- SEE TABLE FOR WIRE RANGE.
- STRIP LENGTH: .63 +.06/-0
- FOR TIGHTENING TORQUE SEE TABLE
- VOLTAGE RATING: 600 V. MAX. BUILDING WIRE, 1000 V. MAX. IN SIGNS & FIXTURES.
- TEMPERATURE RATING: 90 °C (CU9AL).
- CONNECTOR BLOCK BODY ARE MADE FROM ALUMINUM. CONDUCTOR PORTS IN CONNECTOR BLOCK ARE PREFILLED WITH AN OXIDE-INHIBITING COMPOUND.
- CONNECTOR TO INCLUDE TIN PLATED ALUMINUM CLAMPING SCREWS FOR EACH CONDUCTOR PORT.
- INSULATION MATERIAL IS CLEAR PVC.
- CLAMPING SCREW ACCESS PORTS AND ALL WIRE ENTRY PORTS ARE PROVIDED WITH REMOVABLE PLASTIC CLOSURE PLUGS.
- ALL DIMENSIONS SHOWN ARE NOMINAL.
- ONLY ONE CONDUCTOR PER PORT ALLOWED.
- PACKAGE QTY: -12 = 12 PCS.
-6 = 6 PCS.
-4 = 4 PCS.
-3 = 3 PCS.
-2 = 2 PCS.
- THIS PART IS RoHS COMPLIANT

REV	DATE	BY	CHK	APR	DESCRIPTION	ECN
06	2/13	JHNU	JHNU	RGB	REVISED TITLE BLOCK	N41523BB-C41523

TITLE MULTI-TAP INSULATED CONNECTORS PCSB2/0 SERIES SINGLE SIDED CUSTOMER DRAWING	
ITEM REVISION NAME	N41523BB-C41523/06
DATASET FILE NAME	C41523/06.SLDDRW
UNLESS OTHERWISE SPECIFIED, DIMENSIONAL TOLERANCES ARE: IN [mm] .X ± .XX ± .02	.XXX ± ANGLES ±
THIRD ANGLE PROJECTION	DRAWING NUMBER C41523_06
DRAWN BY MS	DATE 8/99
CHK RLS	SCALE NONE
SHEET 1 OF 1	
SIZE B	



SEE NOTES



THIRD ANGLE PROJECTION