



Chipsmall Limited consists of a professional team with an average of over 10 year of expertise in the distribution of electronic components. Based in Hongkong, we have already established firm and mutual-benefit business relationships with customers from,Europe,America and south Asia,supplying obsolete and hard-to-find components to meet their specific needs.

With the principle of “Quality Parts,Customers Priority,Honest Operation,and Considerate Service”,our business mainly focus on the distribution of electronic components. Line cards we deal with include Microchip,ALPS,ROHM,Xilinx,Pulse,ON,Everlight and Freescale. Main products comprise IC,Modules,Potentiometer,IC Socket,Relay,Connector.Our parts cover such applications as commercial,industrial, and automotives areas.

We are looking forward to setting up business relationship with you and hope to provide you with the best service and solution. Let us make a better world for our industry!



## Contact us

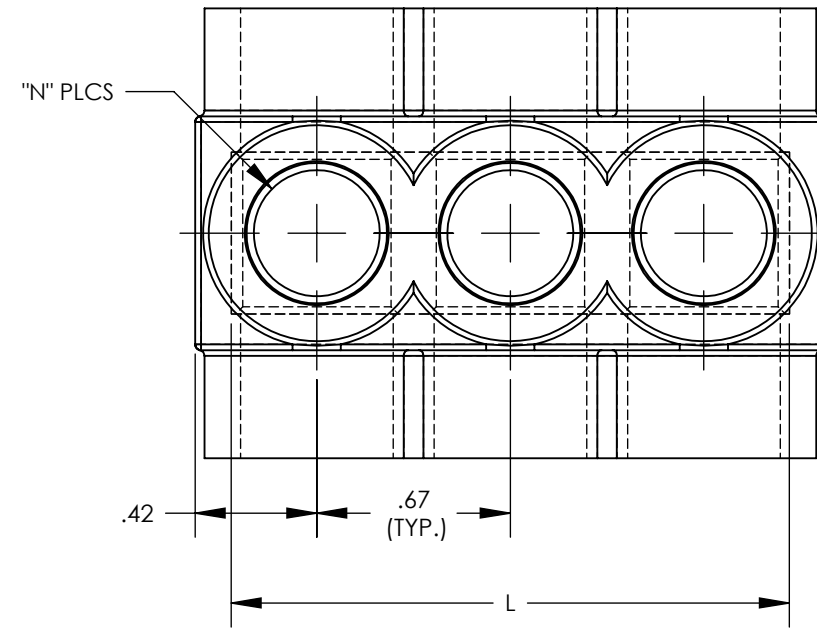
Tel: +86-755-8981 8866 Fax: +86-755-8427 6832

Email & Skype: info@chipsmall.com Web: www.chipsmall.com

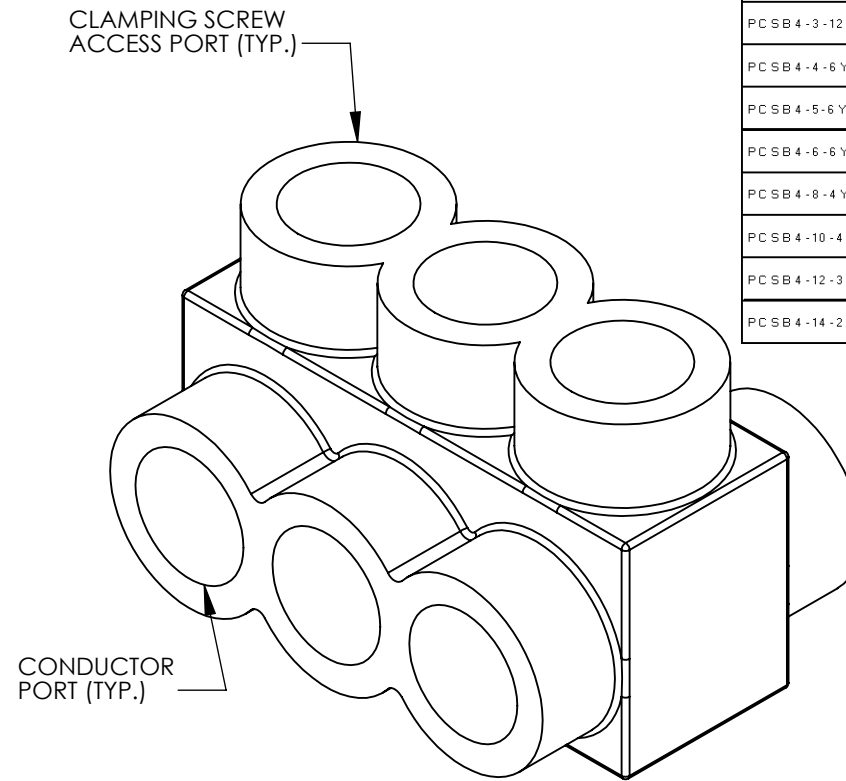
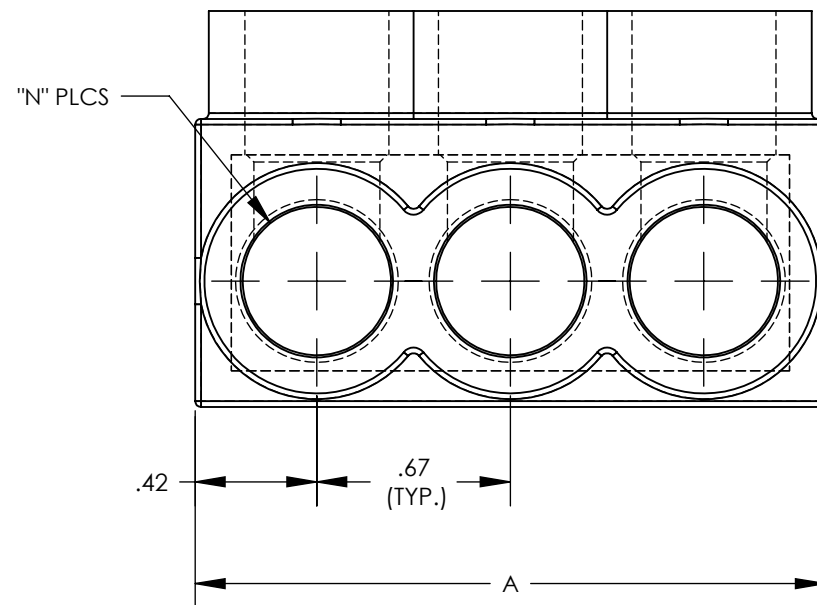
Address: A1208, Overseas Decoration Building, #122 Zhenhua RD., Futian, Shenzhen, China



THIS COPY IS PROVIDED ON A RESTRICTED BASIS AND IS NOT TO BE USED IN ANY WAY DETRIMENTAL TO THE INTERESTS OF PANDUIT CORP.



THREE PORT CONNECTOR BLOCK SHOWN WITH PLASTIC CLOSURE PLUGS REMOVED. SEE TABLE FOR DIMENSIONS OF PARTS WITH ADDITIONAL PORTS

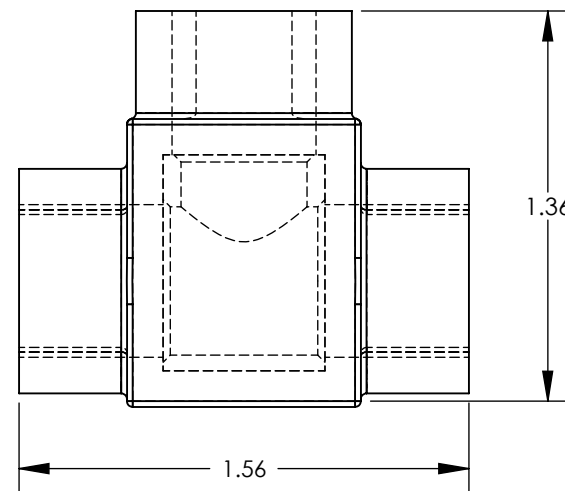


PANDUIT FINISHED GOODS P/N	CONDUCTOR RANGE	HEX KEY	SCREW QTY.	CAP (SCREW PORT) QTY.	CAP (WIRE PORT) QTY.	A	L	N	TIGHTENING TORQUE
PCSB4-2-12Y	# 4 - # 14 STR # 10 - # 14 SOL	1/8	2	2	4	1.23	0.982	2	50 in/lbs
PCSB4-3-12Y		1/8	3	3	6	1.76	1.512	3	
PCSB4-4-6Y		1/8	4	4	8	2.29	2.042	4	
PCSB4-5-6Y		1/8	5	5	10	2.82	2.572	5	
PCSB4-6-6Y		1/8	6	6	12	3.35	3.102	6	
PCSB4-8-4Y	# 4 - # 14 STR # 10 - # 14 SOL	1/8	8	8	16	4.41	4.162	8	
PCSB4-10-4Y		1/8	10	10	20	5.47	5.222	10	
PCSB4-12-3Y		1/8	12	12	24	6.53	6.282	12	
PCSB4-14-2Y		1/8	14	14	28	7.59	7.342	14	



NOTES:

- UL486A-UL486B LISTED, DUAL RATED CU9AL FOR ALUMINUM OR COPPER CONDUCTORS. MEETS OR EXCEEDS ANSI C119.4
- SEE TABLE FOR WIRE RANGE.
- STRIP LENGTH: .50 +.06/-0
- FOR TIGHTENING TORQUE SEE TABLE
- VOLTAGE RATING: 600 V. MAX. BUILDING WIRE, 1000 V. MAX. IN SIGNS & FIXTURES.
- TEMPERATURE RATING: 90 °C (CU9AL).
- CONNECTOR BLOCK BODY ARE MADE FROM ALUMINUM. CONDUCTOR PORTS IN CONNECTOR BLOCK ARE PREFILLED WITH AN OXIDE-INHIBITING COMPOUND.
- CONNECTOR TO INCLUDE TIN PLATED ALUMINUM CLAMPING SCREWS FOR EACH CONDUCTOR PORT.
- INSULATION MATERIAL IS CLEAR PVC.
- CLAMPING SCREW ACCESS PORTS AND ALL WIRE ENTRY PORTS ARE PROVIDED WITH REMOVABLE PLASTIC CLOSURE PLUGS.
- ALL DIMENSIONS SHOWN ARE NOMINAL.
- ONLY ONE CONDUCTOR PER PORT ALLOWED.
- PACKAGE QTY: -12 = 12 PCS.  
-6 = 6 PCS.  
-4 = 4 PCS.
- THIS PART IS RoHS COMPLIANT



REV	DATE	BY	CHK	APR	DESCRIPTION	ECN
00	2/13	JHNU	JHNU	RGB	REVISED TITLE BLOCK	N41573BB-C41573

TITLE MULTI-TAP INSULATED CONNECTORS PCSB4 SERIES CUSTOMER DRAWING	
ITEM REVISION NAME N41573BB-C41573/05	<b>PANDUIT</b>
DATASET FILE NAME C41573/05.SLDDRW	
UNLESS OTHERWISE SPECIFIED, DIMENSIONAL TOLERANCES ARE: IN [mm] .X ± .XXX ± .XX ± .02 ANGLES ±	
DRAWN BY MS	DATE 8/99
CHK RLS	SCALE NONE
DRAWING NUMBER C41573_05	
SHEET 1 OF 1	
SIZE B	