



Chipsmall Limited consists of a professional team with an average of over 10 year of expertise in the distribution of electronic components. Based in Hongkong, we have already established firm and mutual-benefit business relationships with customers from,Europe,America and south Asia,supplying obsolete and hard-to-find components to meet their specific needs.

With the principle of “Quality Parts,Customers Priority,Honest Operation,and Considerate Service”,our business mainly focus on the distribution of electronic components. Line cards we deal with include Microchip,ALPS,ROHM,Xilinx,Pulse,ON,Everlight and Freescale. Main products comprise IC,Modules,Potentiometer,IC Socket,Relay,Connector.Our parts cover such applications as commercial,industrial, and automotives areas.

We are looking forward to setting up business relationship with you and hope to provide you with the best service and solution. Let us make a better world for our industry!



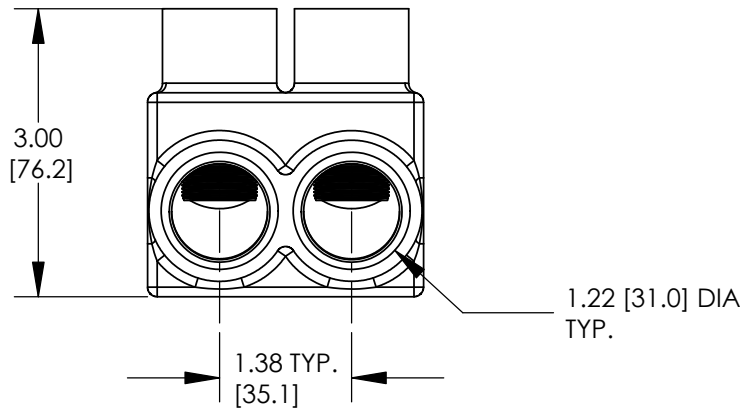
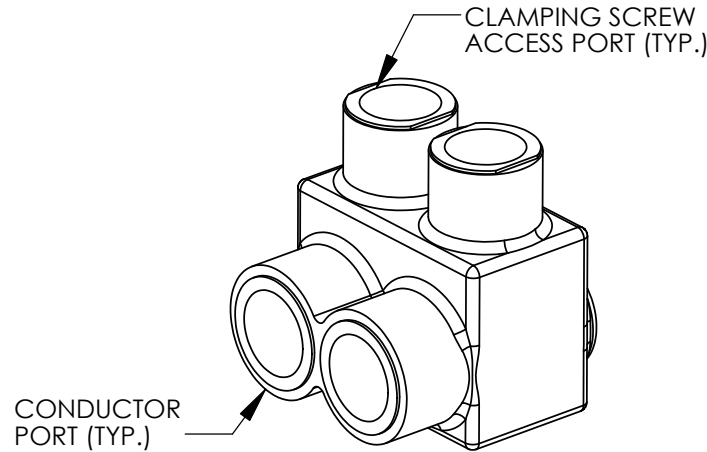
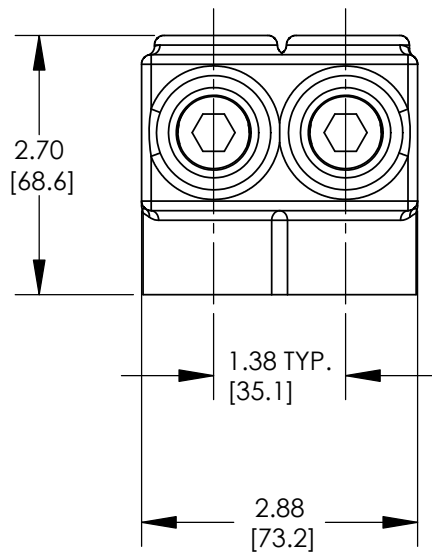
Contact us

Tel: +86-755-8981 8866 Fax: +86-755-8427 6832

Email & Skype: info@chipsmall.com Web: www.chipsmall.com

Address: A1208, Overseas Decoration Building, #122 Zhenhua RD., Futian, Shenzhen, China





NOTES:

1. DIMENSIONS IN PARENTHESIS ARE MILLIMETERS.
2. UL LISTED AND CSA CERTIFIED. DUAL RATED CU9AL FOR ALUMINUM OR COPPER CONDUCTORS.
3. VOLTAGE RATING: 600V MAX
4. TEMPERATURE RATING: 90° C
5. WIRE RANGE: 750kcmil - 1/0AWG
6. TIGHTENING TORQUE: 500 IN-LBS [56.5 N.m]
7. CONNECTOR BLOCK BODY IS MADE FROM ALUMINUM. CLAMPING SCREWS ARE ALUMINUM, TIN PLATED. PORTS IN CONNECTOR BLOCK ARE PREFILLED WITH AN OXIDE INHIBITING COMPOUND.
8. INSULATION MATERIAL IS CLEAR PVC.
9. CLAMPING SCREW ACCESS PORTS AND ALL CONDUCTOR ENTRY PORTS ARE PROVIDED WITH REMOVABLE PLASTIC CLOSURE PLUGS.
10. HEK KEY SIZE: 11/16"
11. ALL DIMENSIONS SHOWN ARE NOMINAL.
12. PACKAGE QUANTITY: -1 = 1



LISTED



CERTIFIED

C41708_01

| REV | DATE | BY | CHK | DESCRIPTION | ECN | PM | APP |
|-----|-------|------|------|---|-----|----|-----|
| 01 | 10/08 | JHNU | JHNU | ADDED NOTE TO SPECIFY TIGHTENING TORQUE | | | |
| 00 | 8/07 | JHNU | LEM | DRAWING RELEASED | | | |

PANDUIT CORP. TINLEY PARK, ILLINOIS
 MULTI-TAP INSULATED CONNECTOR
 (PCSB750-2S-1)
 CUSTOMER DRAWING

| | | | |
|----------|-------|-------|-----------------------|
| DRAWN BY | CHK'D | SCALE | DRAWING NO / CAD FILE |
| JHNU | | NONE | C41708 |