



Chipsmall Limited consists of a professional team with an average of over 10 year of expertise in the distribution of electronic components. Based in Hongkong, we have already established firm and mutual-benefit business relationships with customers from,Europe,America and south Asia,supplying obsolete and hard-to-find components to meet their specific needs.

With the principle of “Quality Parts,Customers Priority,Honest Operation,and Considerate Service”,our business mainly focus on the distribution of electronic components. Line cards we deal with include Microchip,ALPS,ROHM,Xilinx,Pulse,ON,Everlight and Freescale. Main products comprise IC,Modules,Potentiometer,IC Socket,Relay,Connector.Our parts cover such applications as commercial,industrial, and automotives areas.

We are looking forward to setting up business relationship with you and hope to provide you with the best service and solution. Let us make a better world for our industry!



## Contact us

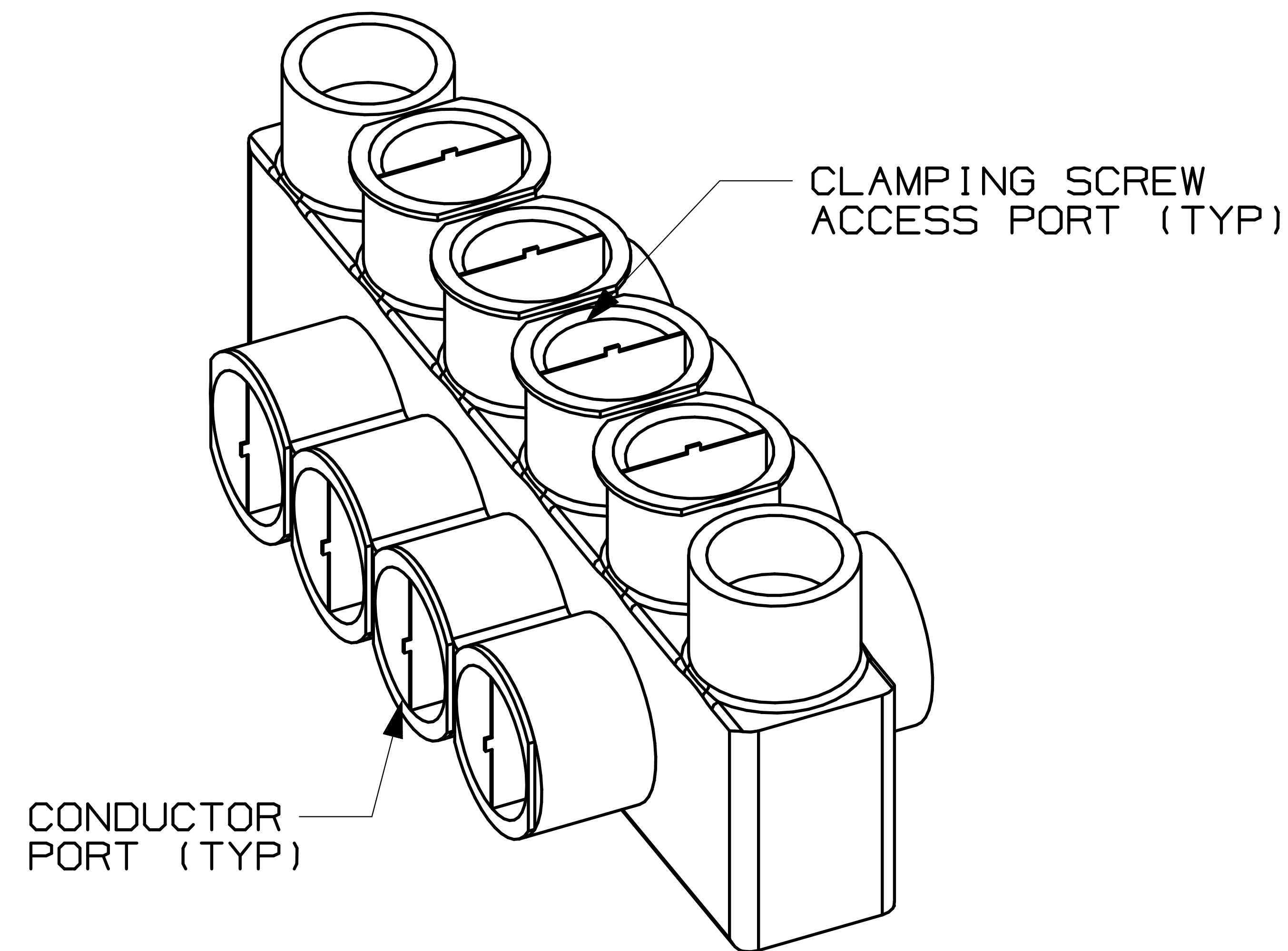
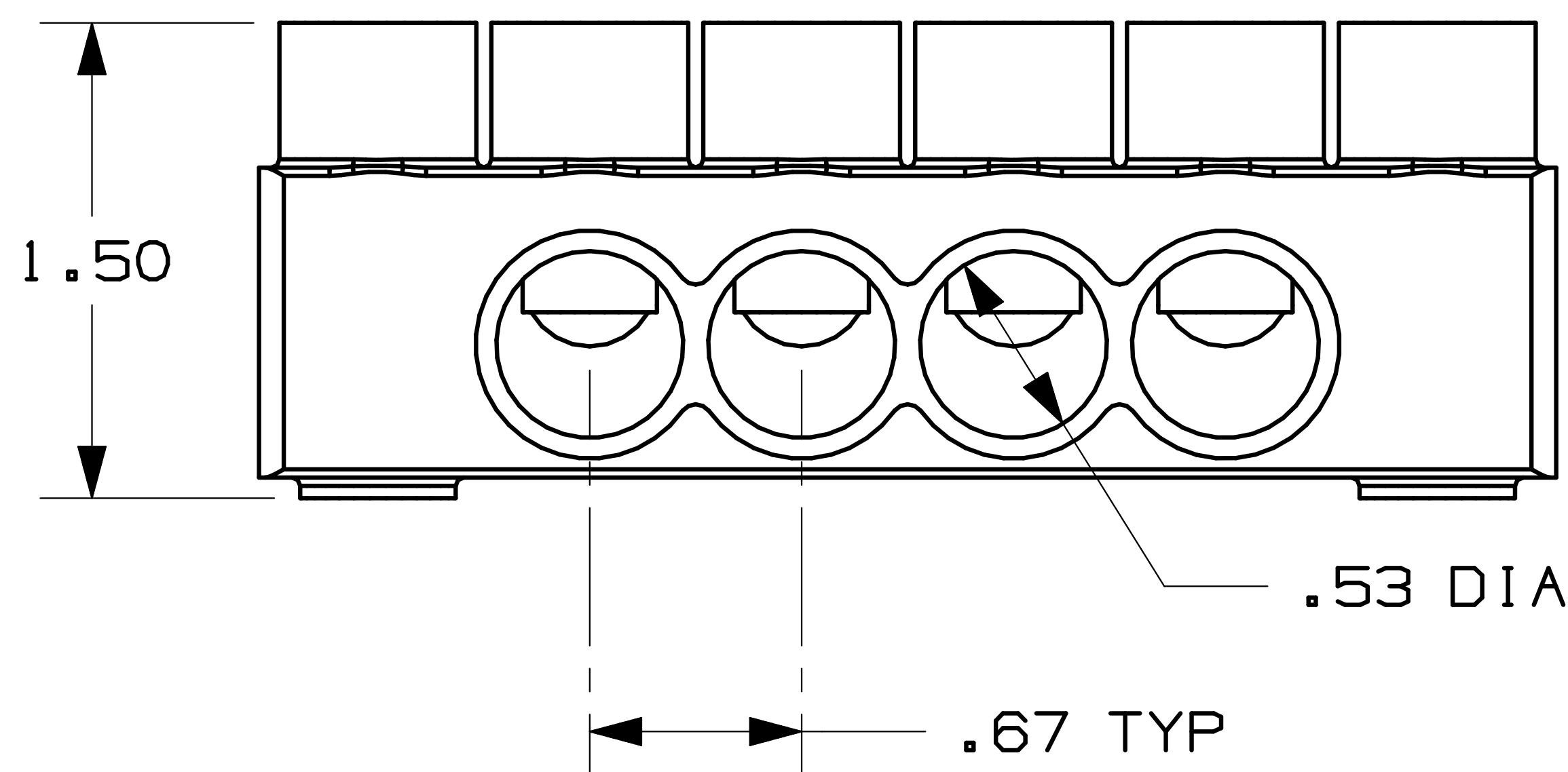
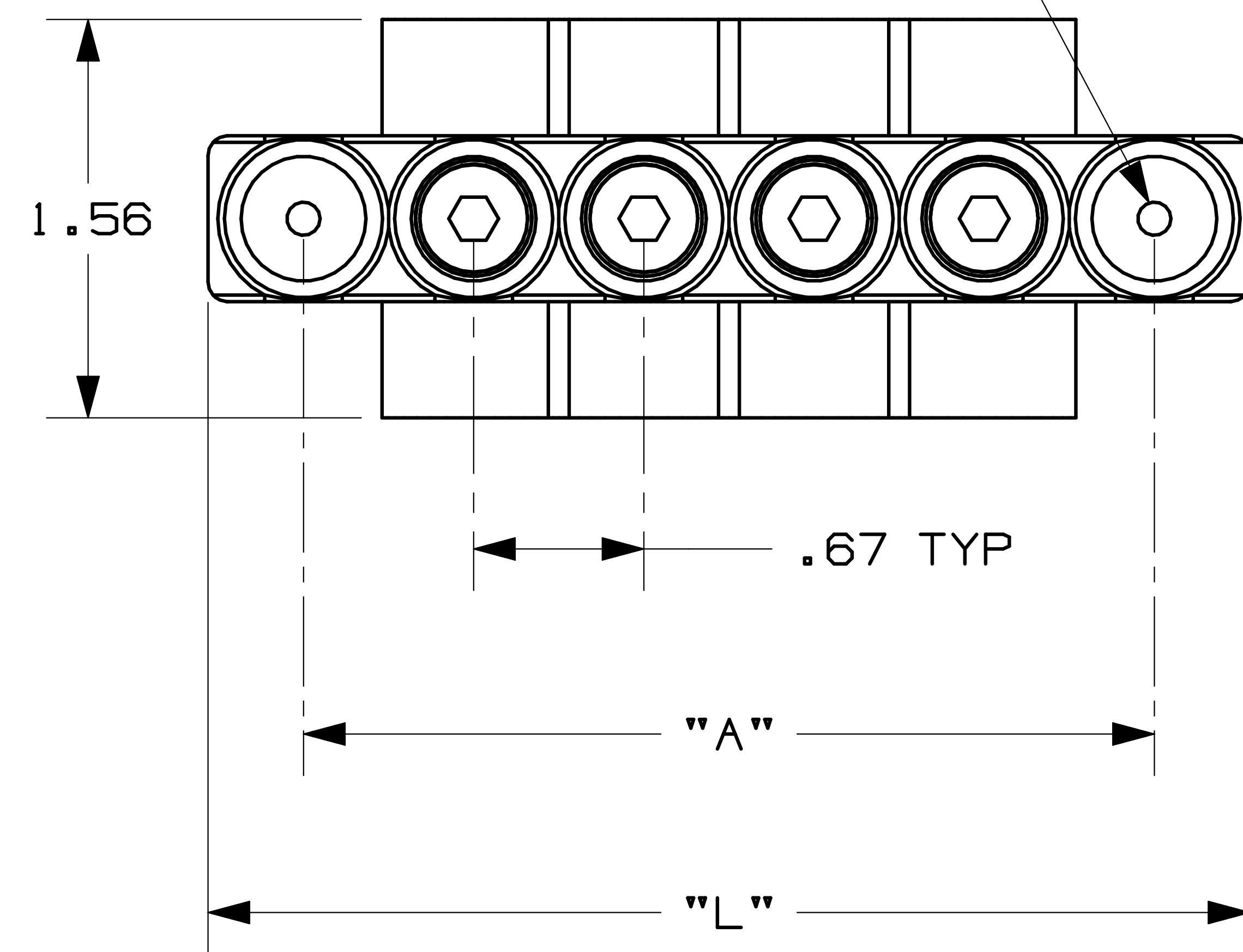
Tel: +86-755-8981 8866 Fax: +86-755-8427 6832

Email & Skype: info@chipsmall.com Web: www.chipsmall.com

Address: A1208, Overseas Decoration Building, #122 Zhenhua RD., Futian, Shenzhen, China



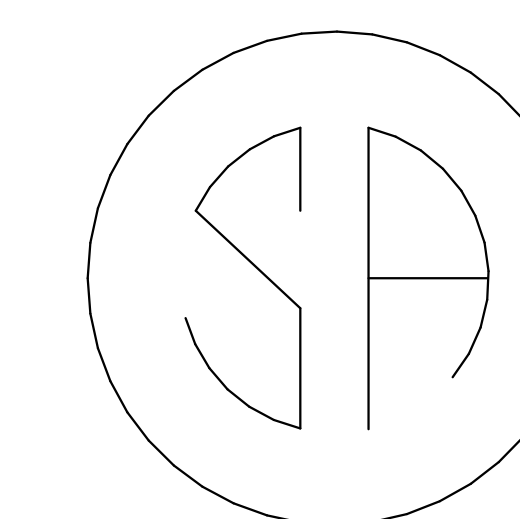
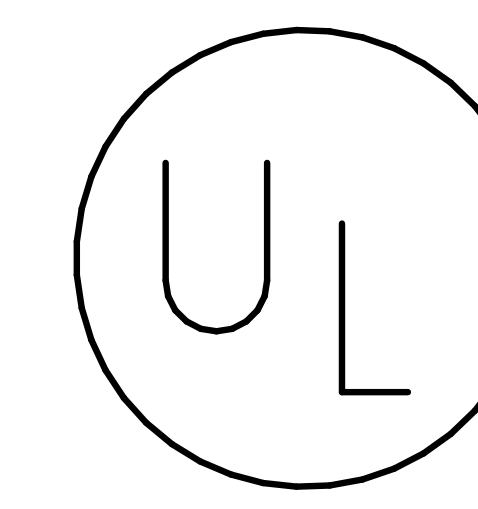
INSULATED MOUNTING HOLE  
(ACCOMODATES 1/4" HARDWARE)  
(2 PLCS)



NOTES:

1. UL LISTED AND CSA CERTIFIED. DUAL RATED CU9AL FOR ALUMINUM OR COPPER CONDUCTORS. MEETS OR EXCEEDS ANSI C119.4
2. WIRE RANGE: 2/0 - #14 AWG ONLY ONE CONDUCTOR PER PORT ALLOWED.
3. STRIP LENGTH: .63 +.06/-0
4. HEX KEY SIZE: 3/16", TIGHTENING TORQUE 120 IN-LB.
5. VOLTAGE RATING: 600 V. MAX.
6. TEMPERATURE RATING: 90° C.
7. CONNECTOR BLOCK BODY IS MADE FROM ALUMINUM. CLAMPING SCREWS ARE TIN PLATED. PORTS IN CONNECTOR BLOCK ARE PREFILLED WITH AN OXIDE INHIBITING COMPOUND.
8. INSULATION MATERIAL IS CLEAR PVC.
9. CLAMPING SCREW ACCESS PORTS AND ALL CONDUCTOR ENTRY PORTS ARE PROVIDED WITH REMOVABLE PLASTIC CLOSURE PLUGS.
10. ALL DIMENSIONS SHOWN ARE NOMINAL.
11. PACKAGE QTY: -3 = 3 PCS  
-2 = 2 PCS  
-1 = 1 PCS
12. THIS PART IS ROHS COMPLIANT.

PART NUMBER	# CONDUCTOR PORTS	DIM "L"	DIM "A"
PCSBMT2/0-4-3Y	4	4.20	3.00
PCSBMT2/0-6-2Y	6	5.55	4.70
PCSBMT2/0-8-2Y	8	6.89	6.05
PCSBMT2/0-10-2Y	10	8.24	7.39
PCSBMT2/0-12-1Y	12	9.58	8.74



C41532\_00

**PANDUIT**

CORP.

TINLEY PARK, ILLINOIS

MULTI-TAP INSULATED CONNECTORS  
WITH MOUNTING HOLES  
PCSBMT 2/0 DOUBLE SIDED SERIES

00	3/06	JHNU	LEM	DRAWING RELEASED - ROHS COMPLIANT	PC00353			
REV	DATE	BY	CHK	DESCRIPTION	ECN #	CUST	PM	

DRAWN BY  
JHNU

CHK'D

SCALE

N/A

DRAWING NO.

C41532