



Chipsmall Limited consists of a professional team with an average of over 10 year of expertise in the distribution of electronic components. Based in Hongkong, we have already established firm and mutual-benefit business relationships with customers from,Europe,America and south Asia,supplying obsolete and hard-to-find components to meet their specific needs.

With the principle of “Quality Parts,Customers Priority,Honest Operation,and Considerate Service”,our business mainly focus on the distribution of electronic components. Line cards we deal with include Microchip,ALPS,ROHM,Xilinx,Pulse,ON,Everlight and Freescale. Main products comprise IC,Modules,Potentiometer,IC Socket,Relay,Connector.Our parts cover such applications as commercial,industrial, and automotives areas.

We are looking forward to setting up business relationship with you and hope to provide you with the best service and solution. Let us make a better world for our industry!



Contact us

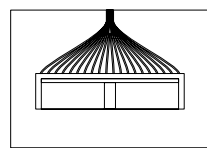
Tel: +86-755-8981 8866 Fax: +86-755-8427 6832

Email & Skype: info@chipsmall.com Web: www.chipsmall.com

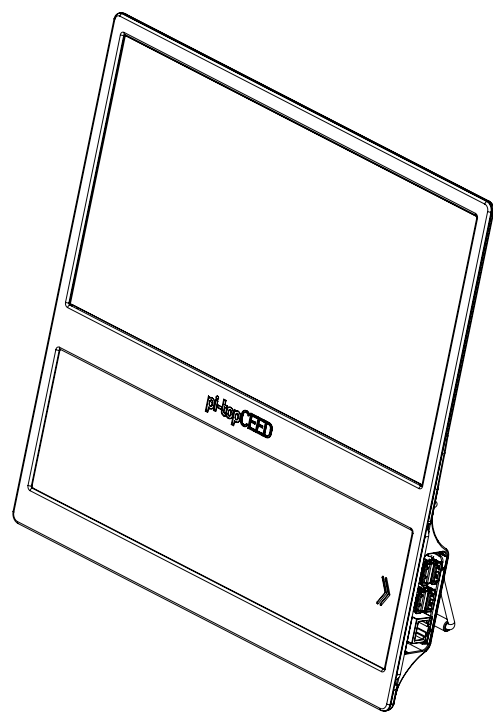
Address: A1208, Overseas Decoration Building, #122 Zhenhua RD., Futian, Shenzhen, China



Follow this side if your pi-topCEED has a GPIO Breakout Cable.



This cable makes your pi-topCEED compatible with pi-top Add-ons.



Welcome

Welcome to the pi-top family!

pi-topCEED is very special to us (and so are you, of course!). We are hugely passionate about this product and are thrilled to provide excellent content so you can learn to make anything. Your support has helped to make this a reality and we thank you for joining us on this exciting maker journey!

We believe pi-topCEED is the best way to get started with hardware and software. Open up your box and immediately immerse yourself in a new way of exploring computing – unlocking a world of possibilities. As you grow and learn, pi-topCEED will be part of your journey to expand your knowledge - the only limit is your imagination!

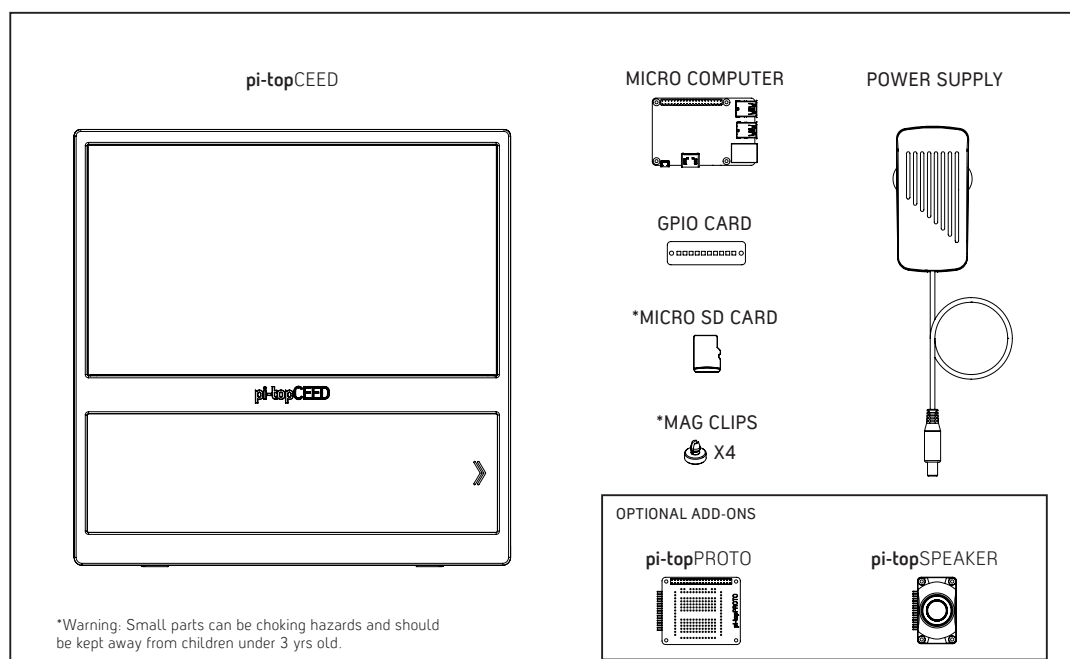
So, let's get started! Set up your pi-topCEED following our manual so you can log-in and start your own cool projects, play our educational game CEEDuniverse and more!

Step through the world's gateway to technology.

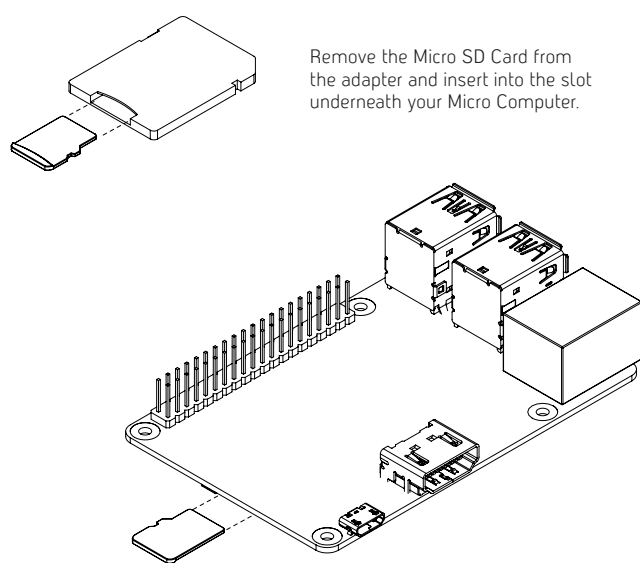
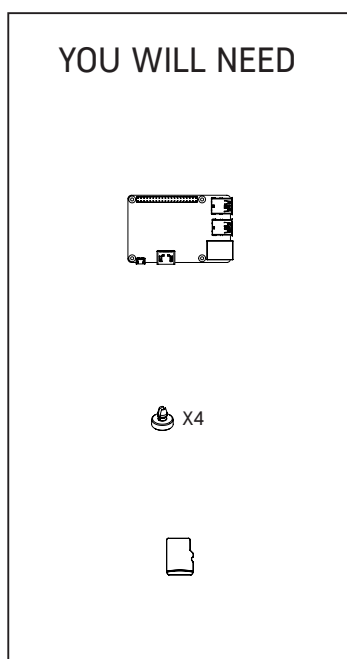
With love,

The pi-top Team

Getting Ready: What's in the Box?

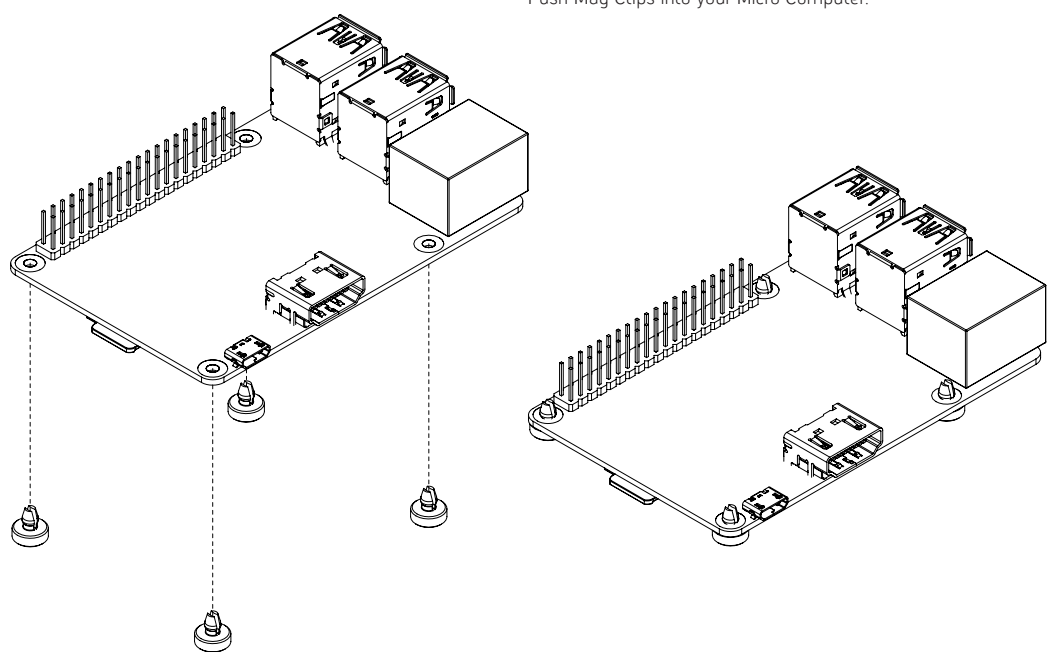


Step 1: Inserting MicroSD Card

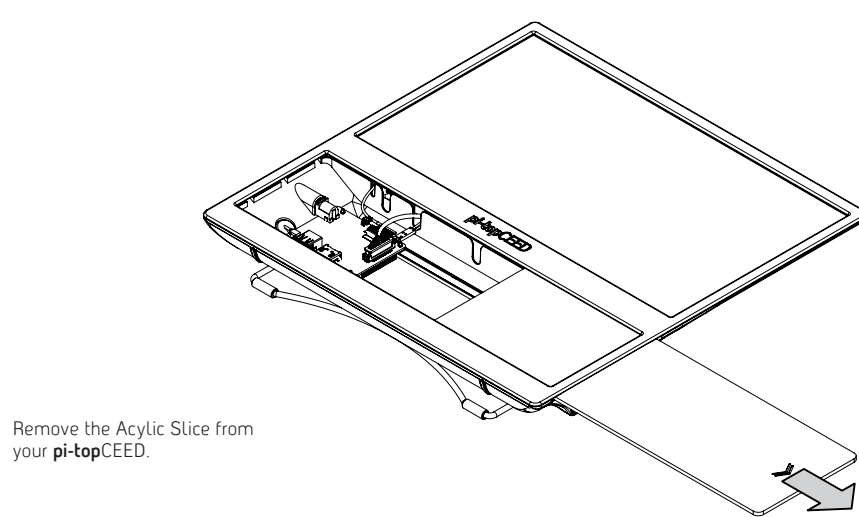


Step 2: Inserting Mag Clips

Push Mag Clips into your Micro Computer.

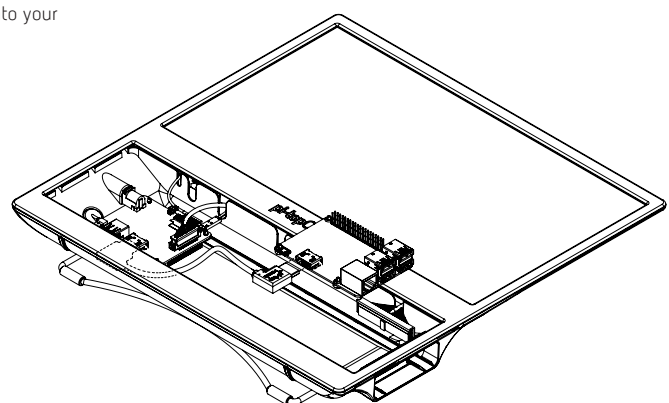


Step 3: Preparing pi-topCEED



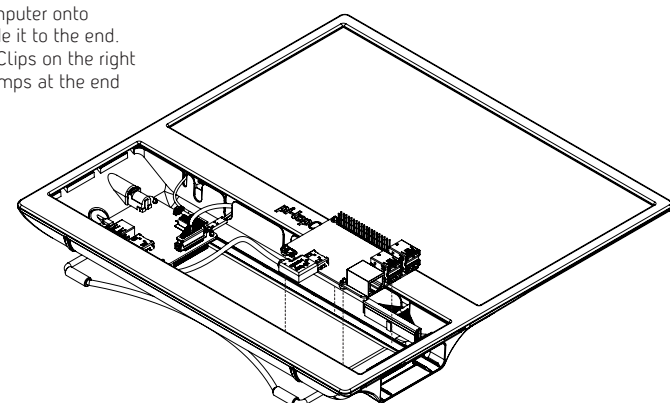
Step 4: Connecting HDMI Cable

Connect the HDMI Cable into your Micro Computer.

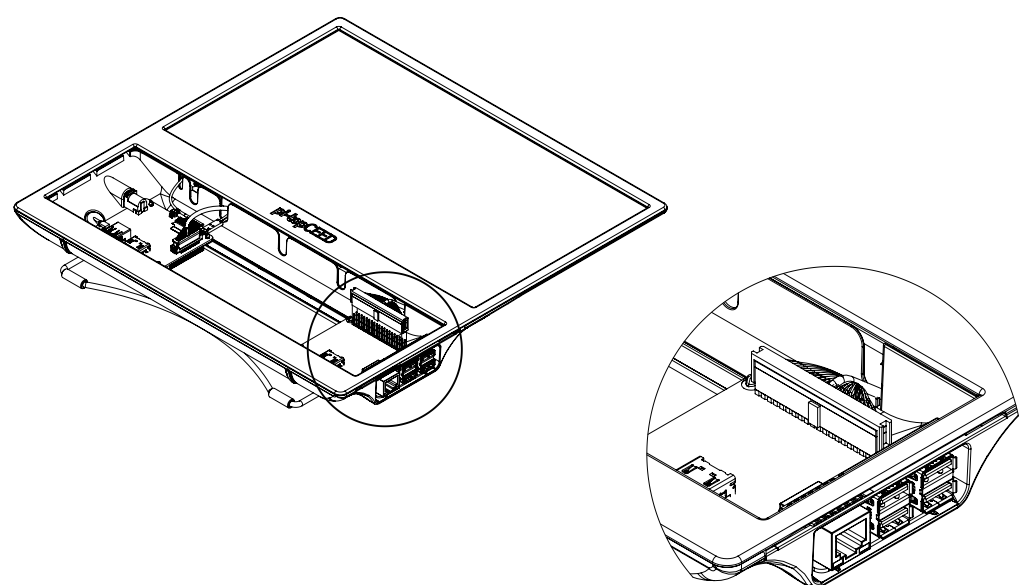


Step 5: Inserting Micro Computer

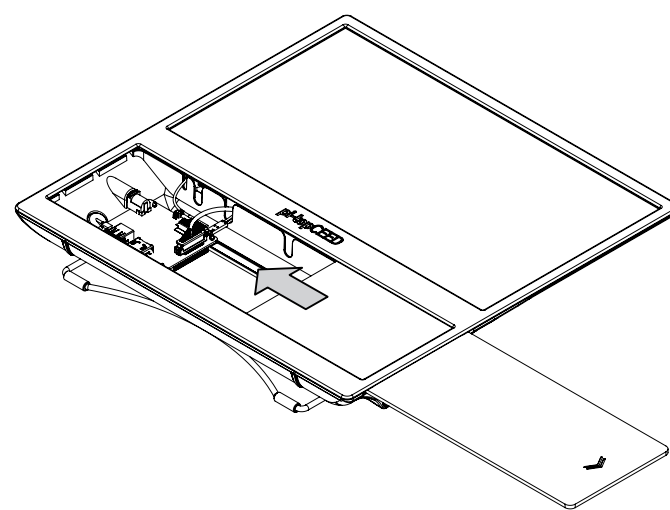
Place your Micro Computer onto the Mag Rail and slide it to the end. Ensure the two Mag Clips on the right are lifted over the bumps at the end of the Mag Rail.



Step 6: Connecting GPIO

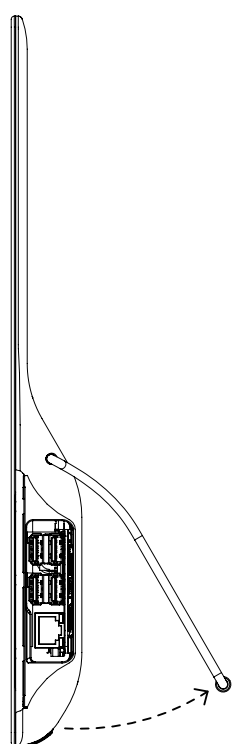


Step 7: Sliding in Acrylic Slice



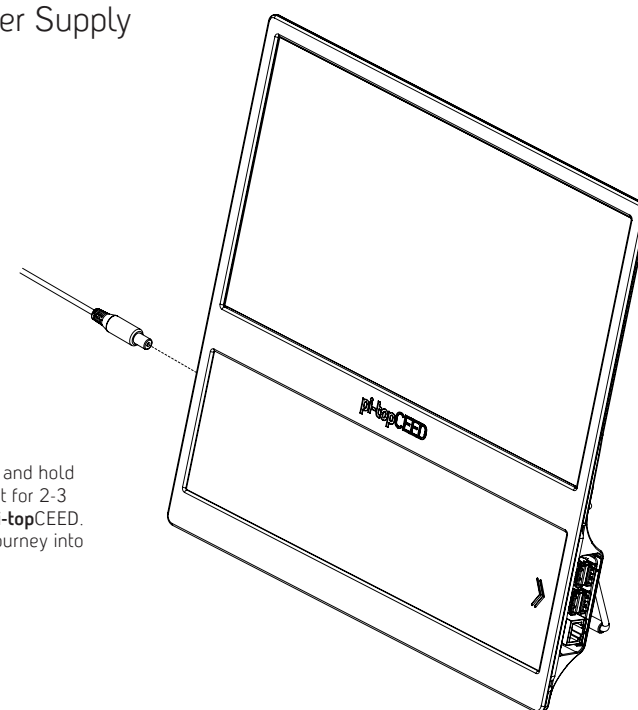
Step 8: Adjusting Kick Stand

Adjust the Kick Stand so your pi-topCEED sits on a desk at a comfortable viewing angle.

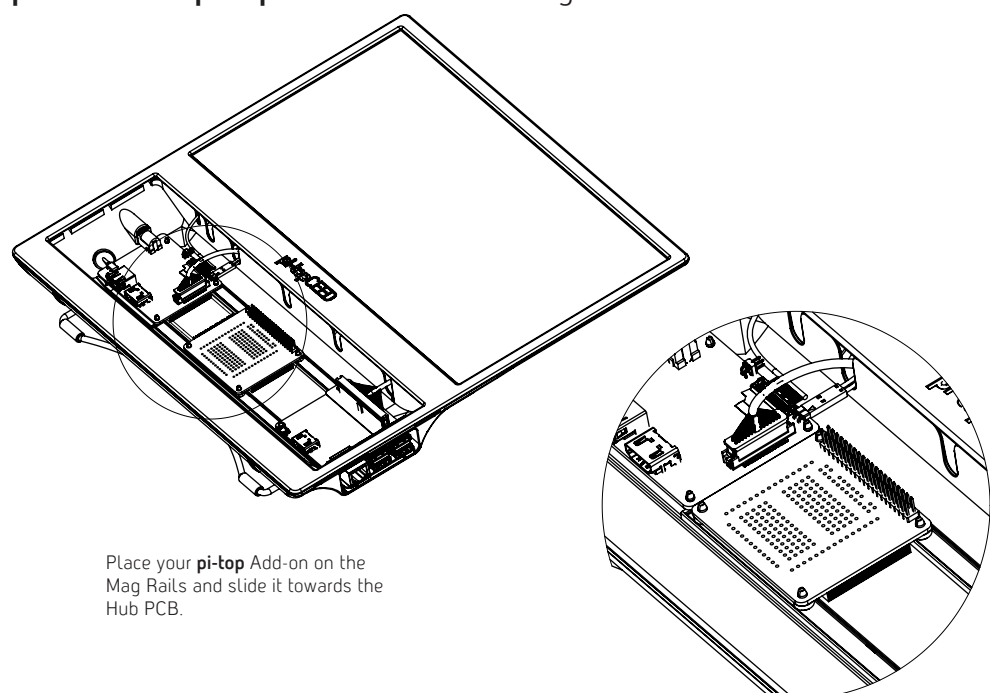


Step 9: Connecting Power Supply

Plug in the Power Supply and hold the Power Button beside it for 2-3 seconds to turn on your pi-topCEED. You can now begin your journey into the world of computing!



Step 10: Place pi-top Add-ons on the Mag Rails



Place your pi-top Add-on on the Mag Rails and slide it towards the Hub PCB.

For more build instructions and FAQ, visit: www.pi-top.com/build

For help please contact: support@pi-top.com