



Chipsmall Limited consists of a professional team with an average of over 10 year of expertise in the distribution of electronic components. Based in Hongkong, we have already established firm and mutual-benefit business relationships with customers from,Europe,America and south Asia,supplying obsolete and hard-to-find components to meet their specific needs.

With the principle of "Quality Parts,Customers Priority,Honest Operation,and Considerate Service",our business mainly focus on the distribution of electronic components. Line cards we deal with include Microchip,ALPS,ROHM,Xilinx,Pulse,ON,Everlight and Freescale. Main products comprise IC,Modules,Potentiometer,IC Socket,Relay,Connector.Our parts cover such applications as commercial,industrial, and automotives areas.

We are looking forward to setting up business relationship with you and hope to provide you with the best service and solution. Let us make a better world for our industry!



Contact us

Tel: +86-755-8981 8866 Fax: +86-755-8427 6832

Email & Skype: info@chipsmall.com Web: www.chipsmall.com

Address: A1208, Overseas Decoration Building, #122 Zhenhua RD., Futian, Shenzhen, China



1

THIS COPY IS PROVIDED ON A RESTRICTED BASIS AND IS NOT TO BE USED IN ANY WAY DETRIMENTAL TO THE INTERESTS OF PANDUIT CORP.

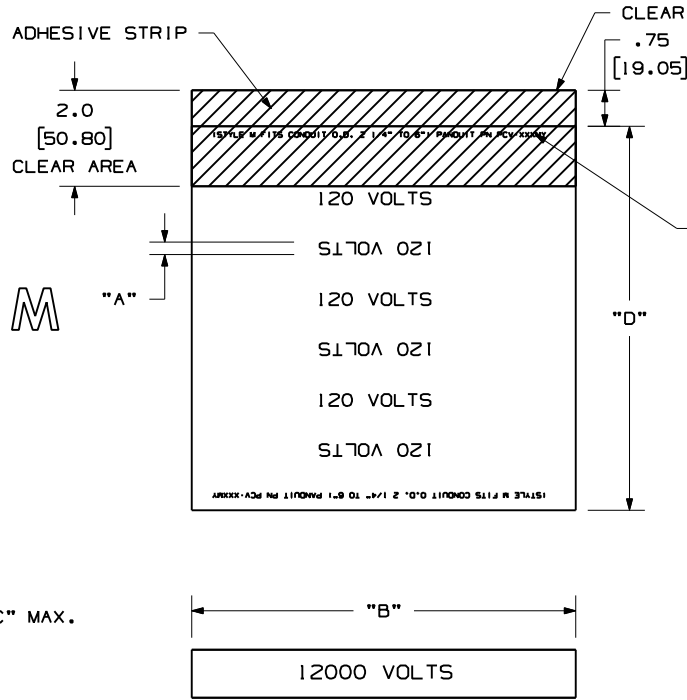
PART NUMBER	STYLE	"A"	"B" +/- .15	"C" MAX.	"D" +/- .15	LEGEND	MARKER PER CARDS	STD. PKG. QTY.
PCV-120RY	R	0.75 [19.1]	8.00 [203.2]	.63 [16.0]	8.00 [203.2]	120 Volts	1	5
PCV-480RY	R	0.75 [19.1]	8.00 [203.2]	.63 [16.0]	8.00 [203.2]	480 Volts	1	5
PCV-F0RY	R	0.75 [19.1]	8.00 [203.2]	.63 [16.0]	8.00 [203.2]	Fiber Optic	1	5
PCV-F0MY	M	1.50 [38.1]	14.00 [355.6]	2.00 [50.8]	23.00 [584.2]	Fiber Optic	1	5

NOTES:
 1. MILLIMETER ARE IN [].
 2. COLORS ARE SAFETY ORANGE FOR BACKGROUND AND SAFETY BLACK FOR THE LETTERING.

1

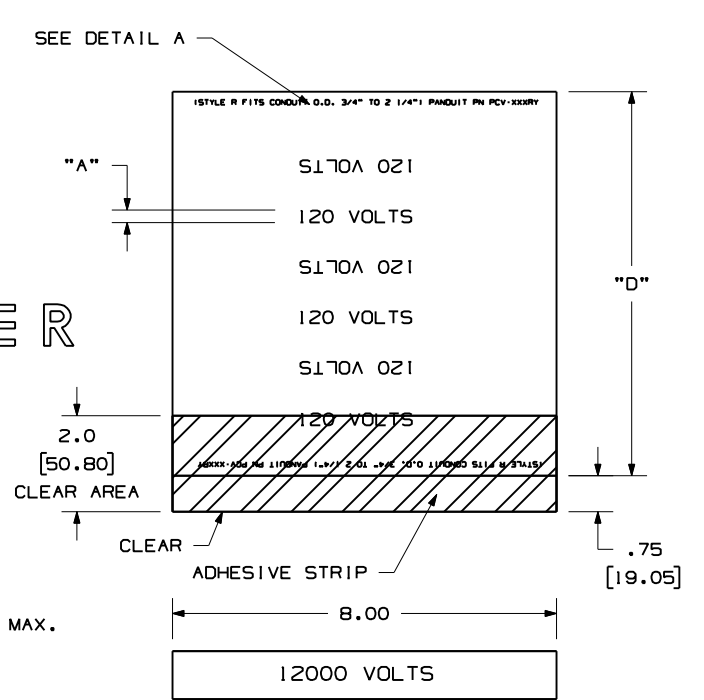
1

STYLE M



1

STYLE R



DETAIL "A"

(STYLE M FITS CONDUIT O.D. 2 1/4" TO 6") PANDUIT PN PCV-XXXMY
 (STYLE R FITS CONDUIT O.D. 3/4" TO 2 1/4") PANDUIT PN PCV-XXXRY

CAD FILENAME/LAYERS 1002811V-DC-C10718/04B

PANDUIT CORP. TINLEY PARK, ILLINOIS

CUSTOMER DRAWING
 PCV PIPE MARKER
 PCV-***MY & PCV-***RY

1

UNLESS OTHERWISE SPECIFIED,
 DIMENSIONAL TOLERANCES ARE:
 (.X) ± .12 (.XXX) ± .025
 (.XX) ± .062 ANGLES ± 5°

UNLESS OTHERWISE SPECIFIED,
 ALL DIMENSIONS ARE GIVEN
 IN INCHES, THIRD ANGLE PROJECTION.

1	3/26/10	RVU		COMBINE FROM C10719 TO C10718. OBSOLETE C10719.	5996	R				DRAWN BY RVU	MAT'L: GMV4	SCALE NTS	
0	7/14/08	RVU		DRAWING RELEASE.	5480	R			DATE 7/14/08			DRAWING NO. C10718	DWG A SIZE
REV	DATE	BY	CHK	DESCRIPTION	ECN	R	CUST	SUP	CHK'D				