



Chipsmall Limited consists of a professional team with an average of over 10 year of expertise in the distribution of electronic components. Based in Hongkong, we have already established firm and mutual-benefit business relationships with customers from,Europe,America and south Asia,supplying obsolete and hard-to-find components to meet their specific needs.

With the principle of “Quality Parts,Customers Priority,Honest Operation,and Considerate Service”,our business mainly focus on the distribution of electronic components. Line cards we deal with include Microchip,ALPS,ROHM,Xilinx,Pulse,ON,Everlight and Freescale. Main products comprise IC,Modules,Potentiometer,IC Socket,Relay,Connector.Our parts cover such applications as commercial,industrial, and automotives areas.

We are looking forward to setting up business relationship with you and hope to provide you with the best service and solution. Let us make a better world for our industry!



Contact us

Tel: +86-755-8981 8866 Fax: +86-755-8427 6832

Email & Skype: info@chipsmall.com Web: www.chipsmall.com

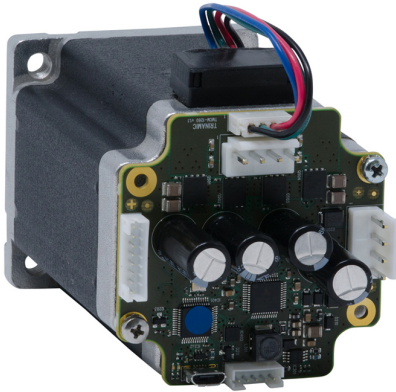
Address: A1208, Overseas Decoration Building, #122 Zhenhua RD., Futian, Shenzhen, China



PD57/60-x-1260 Hardware Manual

Hardware Version V1.10 | Document Revision V1.10 • 2018-04-30

The PANdrive™ PD57-1-1260, PD57-2-1260, PD60-3-1260 and PD60-4-1260 are powerful and compact full mechatronic solutions including NEMA23 / 57mm or NEMA24 / 60mm flange size stepper motors, the TCM-1260 controller / driver electronics and TRINAMIC™ sensOstep™ encoder for step-loss detection.



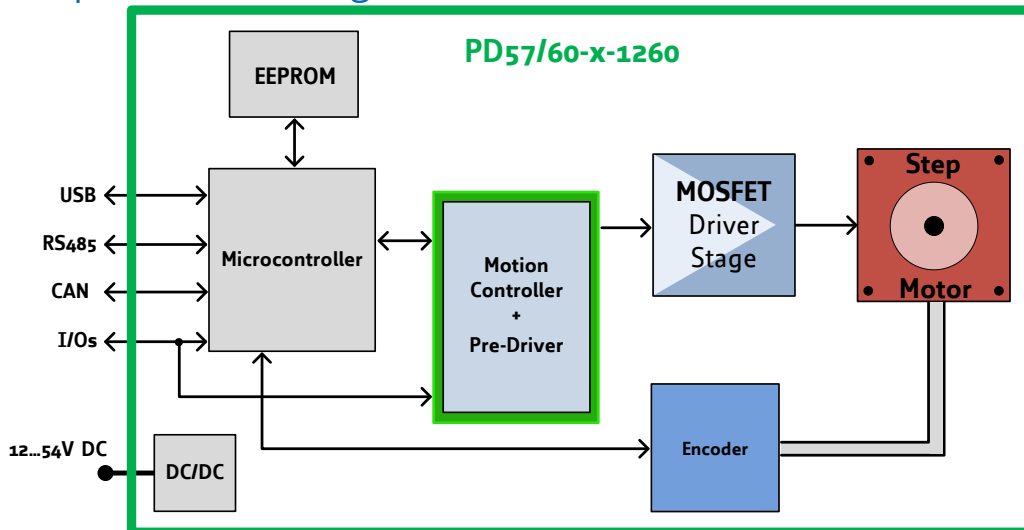
Features

- Stepper Motor NEMA23 / 57mm or NEMA24 / 60mm
- 0.55 - 3.1Nm
- with controller / driver
- Linear and sixPoint™ ramps
- +24V and +48V DC supply voltage
- Up to 3A RMS motor current
- RS485, CAN & USB interface
- integrated sensOstep encoder and support for external encoder
- S/D interface
- multi-purpose inputs and outputs

Applications

- Laboratory Automation
- Manufacturing
- Semiconductor Handling
- Robotics
- Factory Automation
- Test & Measurement
- Life Science
- Biotechnology
- Liquid Handling

Simplified Block Diagram



Contents

| | | |
|-----------|--|-----------|
| 1 | Features | 4 |
| 2 | Order Codes | 6 |
| 3 | Mechanical and Electrical Interfacing | 8 |
| 3.1 | PD57-1-1260 and PD57-2-1260 Dimensions | 8 |
| 3.2 | PD60-3-1260 and PD60-4-2-1260 Dimensions | 9 |
| 3.3 | Stepper motor | 10 |
| 3.4 | Integrated sensOstep™ encoder | 11 |
| 4 | Connectors | 12 |
| 4.1 | Power Supply Input Connector | 13 |
| 4.2 | Motor Connector | 14 |
| 4.3 | RS485 + CAN Connector | 14 |
| 4.4 | USB Connector | 15 |
| 4.5 | I/O Connector | 15 |
| 5 | On-Board LEDs | 16 |
| 6 | Reset to Factory Defaults | 17 |
| 7 | I/Os | 18 |
| 7.1 | Analog input IN0 | 18 |
| 7.2 | Digital inputs IN1 and IN2 | 18 |
| 7.3 | HOME/STOP_L/STOP_R switch inputs | 19 |
| 7.4 | External incremental encoder input | 19 |
| 7.5 | Step/Direction inputs | 20 |
| 8 | Communication | 21 |
| 8.1 | RS485 | 21 |
| 8.2 | CAN | 22 |
| 9 | Motor driver current | 24 |
| 10 | Torque curves | 26 |
| 10.1 | PD57-1-1260 Torque Curve | 26 |
| 10.2 | PD57-2-1260 Torque Curve | 27 |
| 10.3 | PD60-3-1260 Torque Curve | 28 |
| 10.4 | PD60-4-1260 Torque Curve | 29 |
| 11 | Functional Description | 30 |
| 12 | Operational Ratings and Characteristics | 31 |
| 13 | Abbreviations used in this Manual | 33 |
| 14 | Figures Index | 34 |
| 15 | Tables Index | 35 |



| | |
|---|-----------|
| 16 Supplemental Directives | 36 |
| 16.1 Producer Information | 36 |
| 16.2 Copyright | 36 |
| 16.3 Trademark Designations and Symbols | 36 |
| 16.4 Target User | 36 |
| 16.5 Disclaimer: Life Support Systems | 36 |
| 16.6 Disclaimer: Intended Use | 36 |
| 16.7 Collateral Documents & Tools | 37 |
| | |
| 17 Revision History | 38 |
| 17.1 Hardware Revision | 38 |
| 17.2 Document Revision | 38 |



1 Features

The PANdrive™ PD57-1-1260, PD57-2-1260, PD60-3-1260 and PD60-4-1260 are small and compact full mechatronic solutions including NEMA23 / 57mm or NEMA24 / 60mm flange size stepper motors, the TCM-1260 controller / driver electronics and TRINAMIC™ sensOstep™ encoder for step-loss detection. The four PANdrives include stepper motor with different lengths and different holding torques (PD57-1-1260: 0.55Nm, PD57-2-1260: 1.01Nm, PD60-3-1260: 2.1Nm and PD60-4-1260: 3.1Nm) but, same electronics and encoder setup. The PANdrives support both, stand-alone operation e.g. using the on-board I/Os together with the build-in TMCL scripting feature and remote operation using one of the available communication interfaces and even a mixture of both.

Motion Controller

- Motion profile calculation in real-time
- On the fly alteration of motor parameters (e.g. position, velocity, acceleration)
- Linear and unique sixPoint™ramp in hardware
- Encoder interface and Reference / Stop switch inputs

Driver

- Motor current: 3A RMS, 4A peak (programmable in software)
- Supply voltage: +24V and +48V DC (+12... +54V DC)
- 256 microsteps per fullstep
- spreadCycle™highly dynamic current control chopper
- stealthChop™for quiet operation and smooth motion
- programmable Step/Dir interface for driver-only applications with microstep interpolation

Encoder

- integrated sensOstep absolut position magnetic encoder (resolution: 1024 increments per rotation) for step-loss detection under all operating conditions and positioning supervision (accuracy: +/- 5 encoder steps)
- support for external A/B incremental encoder in addition / as an alternative for the integrated encoder
- programmable encoder scaling and support for motor stop on encoder deviation

Interfaces

- RS485 interface (up-to 1Mbit/s)
- CAN interface (up-to 1Mbit/s)
- USB 2.0 full speed (12Mbit/s) device interface (micro-USB connector)
- Step/Dir input (optically isolated)
- Left and Right STOP switch inputs (optically isolated, shared with Step/Dir inputs)
- 2 general purpose digital inputs
- Encoder input for incremental A/B encoder signals (shared with general purpose digital inputs)
- 1 analog input (0..10V nom. input range)



- HOME switch input (shared with analog input)

Mechanical data

- PD57-1-1260 size: 60mm x 60mm, length = 69mm (without mating connectors and motor axis)
- PD57-2-1260 size: 60mm x 60mm, length = 79mm (without mating connectors and motor axis)
- PD60-3-1260 size: 60mm x 60mm, length = 93mm (without mating connectors and motor axis)
- PD60-4-1260 size: 60mm x 60mm, length = 114mm (without mating connectors and motor axis)
- 4 mounting holes for M3 screws

Software

- TMCL™ remote (direct mode) and standalone operation (memory for up to 1024 TMCL™ commands), fully supported by TMCL-IDE (PC based integrated development environment). Please see PD57/60-x-1260 TMCL firmware manual for more details
- CANopen firmware with CANopen standard protocol stack for the CAN interface. Please see PD57/60-x-1260 CANopen firmware manual for more details.



2 Order Codes

The combination of motor and motor mounted controller/driver electronic is currently available with two different stepper motor series (NEMA23 / 57mm flange size or NEMA24 / 60mm flange size) and four different stepper motors (different length and holding torque): The length of the PANdrives is specified without the length of the axis. For the overall length of the product please add 24mm

| Order Code | Description | Size (LxWxH) |
|---------------------|--|---------------------|
| PD57-1-1260-TMCL | PANdrive™with NEMA23 stepper motor, 0.55Nm max., TMCM-1260 electronics, 2.8A RMS, +48V, integrated sensOstep™ encoder, S/D input, ext. Encoder input, 1 analog input, 4 digital inputs, 1 OD output, CAN, RS485 and USB interfaces, TMCL firmware | 60mm x 60mm x 69mm |
| PD57-2-1260-TMCL | PANdrive™with NEMA23 stepper motor, 1.01Nm max., TMCM-1260 electronics, 2.8A RMS, +48V, integrated sensOstep™ encoder, S/D input, ext. Encoder input, 1 analog input, 4 digital inputs, 1 OD output, CAN, RS485 and USB interfaces, TMCL firmware | 60mm x 60mm x 79mm |
| PD60-3-1260-TMCL | PANdrive™with NEMA24 stepper motor, 2.1Nm max., TMCM-1260 electronics, 2.8A RMS, +48V, integrated sensOstep™ encoder, S/D input, ext. Encoder input, 1 analog input, 4 digital inputs, 1 OD output, CAN, RS485 and USB interfaces, TMCL firmware | 60mm x 60mm x 93mm |
| PD60-4-1260-TMCL | PANdrive™with NEMA24 stepper motor, 3.1Nm max., TMCM-1260 electronics, 2.8A RMS, +48V, integrated sensOstep™ encoder, S/D input, ext. Encoder input, 1 analog input, 4 digital inputs, 1 OD output, CAN, RS485 and USB interfaces, TMCL firmware | 60mm x 60mm x 114mm |
| PD57-1-1260-CANopen | PANdrive™with NEMA23 stepper motor, 0.55Nm max., TMCM-1260 electronics, 2.8A RMS, +48V, integrated sensOstep™ encoder, S/D input, ext. Encoder input, 1 analog input, 4 digital inputs, 1 OD output, CAN, RS485 and USB interfaces, CANopen firmware | 60mm x 60mm x 69mm |
| PD57-2-1260-CANopen | PANdrive™with NEMA23 stepper motor, 1.01Nm max., TMCM-1260 electronics, 2.8A RMS, +48V, integrated sensOstep™ encoder, S/D input, ext. Encoder input, 1 analog input, 4 digital inputs, 1 OD output, CAN, RS485 and USB interfaces, CANopen firmware | 60mm x 60mm x 79mm |
| PD60-3-1260-CANopen | PANdrive™with NEMA24 stepper motor, 2.1Nm max., TMCM-1260 electronics, 2.8A RMS, +48V, integrated sensOstep™ encoder, S/D input, ext. Encoder input, 1 analog input, 4 digital inputs, 1 OD output, CAN, RS485 and USB interfaces, CANopen firmware | 60mm x 60mm x 93mm |



| Order Code | Description | Size (LxWxH) |
|---------------------|--|---------------------|
| PD60-4-1260-CANopen | PANdrive™with NEMA24 stepper motor, 3.1Nm max., TCM-1260 electronics, 2.8A RMS, +48V, integrated sensOstep™ encoder, S/D input, ext. Encoder input, 1 analog input, 4 digital inputs, 1 OD output, CAN, RS485 and USB interfaces, CANopen firmware | 60mm x 60mm x 114mm |

Table 1: TCM-1260 Order Code

A cable loom set is available for this module:

| Order Code | Description |
|----------------|---|
| TCM-1260-CABLE | <p>Cable loom for TCM-1260:</p> <ul style="list-style-type: none"> • 1x cable loom for power supply connector (cable length 200mm, 4pin JST VH connector at one end, open wires at other end) • 1x cable loom for RS485 + CAN connector (cable length 200mm, 5pin JST PH connector at one end, open wires at other end) • 1x cable loom for motor connector (cable length 200mm, 4pin JST EH connector at one end, open wires at other end) • 1x cable loom for (alternate high power) motor connector (cable length 200mm, 4pin JST VH connector at one end, open wires at other end) • 1x cable loom for I/O connector (cable length 200mm, 8pin JST PH connector at one end, open wires at other end) • 1x Micro-USB cable |

Table 2: TCM-1260 Cable Loom

The TCM-1260 controller/driver electronics is also available separately. Please refer to TCM-1260 hardware manual for further details.

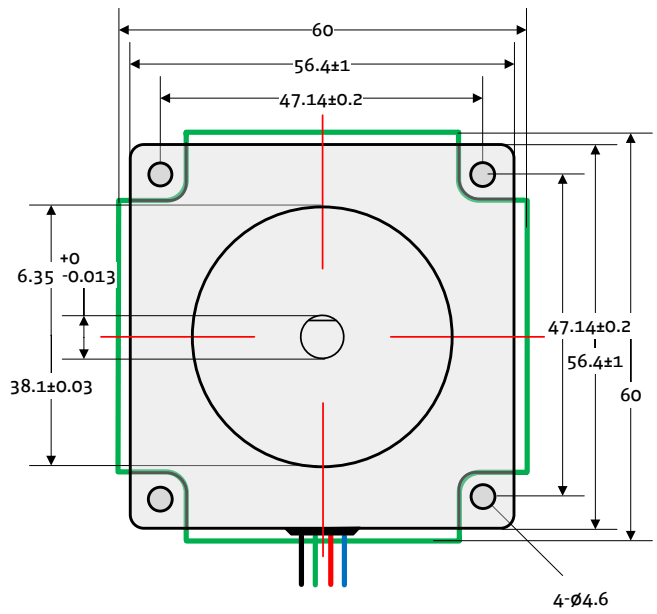
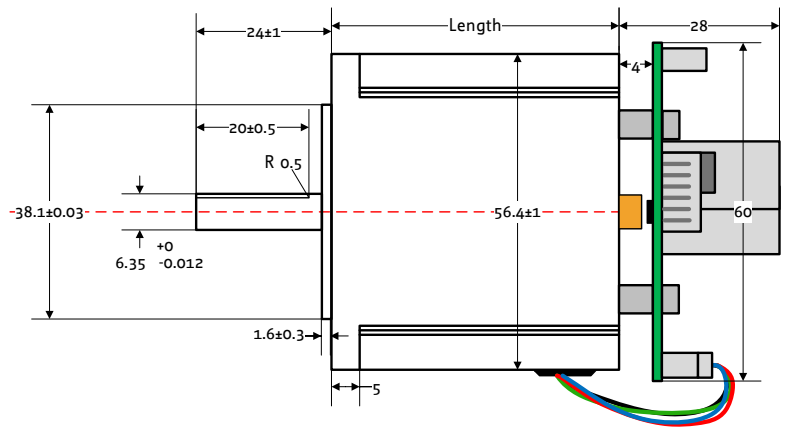


3 Mechanical and Electrical Interfacing

3.1 PD57-1-1260 and PD57-2-1260 Dimensions

The PD57-1-1260 and PD57-2-1260 include one NEMA23 / 57mm stepper motors with 2.8A RMS rated coil current with the same TCM-1260 controller / driver electronics mounted on its backside and integrated sensOstep™ encoder. The PD57-1-1260 uses the QSH5718-41-28-055 stepper motor with 0.55Nm holding torque and the PD57-2-1260 uses the QSH5718-51-28-101 stepper motor with 1.01Nm holding torque. Please see also stepper motor manuals and TCM-1260 hardware and firmware manuals for more details.

NOTICE **Note:** In order to make proper use of the integrated sensOstep™ encoder (the sensor IC is placed on the bottom of the pcb) the TCM-1260 electronics should not be removed/moved relative to the motor. In case the integrated encoder feature is not used, the electronics may be moved or even removed from the motor and placed somewhere else according to application requirements.



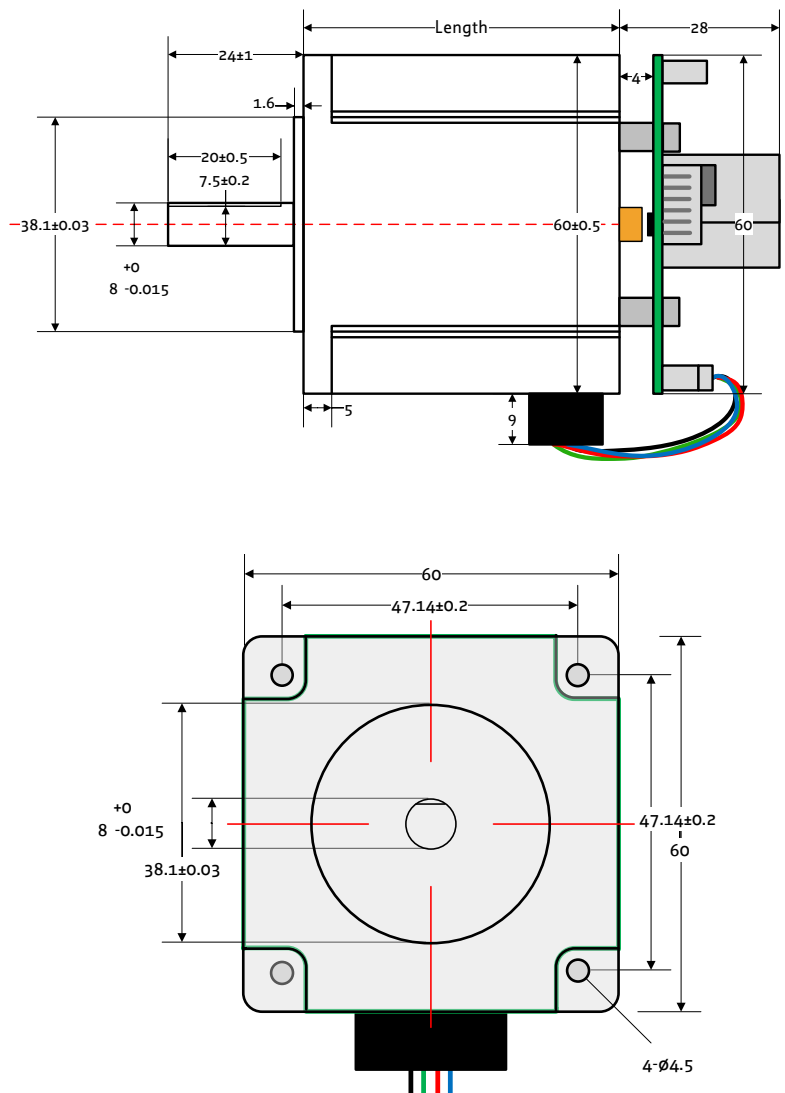
Length of the stepper motor “body” itself is 41mm for the PD57-1-1260 and 51mm for the PD57-2-1260.



3.2 PD60-3-1260 and PD60-4-2-1260 Dimensions

The PD60-3-1260 and PD60-4-2-1260 include one NEMA24 / 60mm stepper motors with 2.8A RMS rated coil current with the same TCM-1260 controller / driver electronics mounted on its backside and integrated sensOstep™ encoder. The PD60-3-1260 uses the QSH6018-65-28-210 stepper motor with 2.1Nm holding torque and the PD60-4-1260 uses the QSH6018-86-28-310 stepper motor with 3.1Nm holding torque. Please see also stepper motor manuals and TCM-1260 hardware and firmware manuals for more details.

NOTICE **Note:** In order to make proper use of the integrated sensOstep™ encoder (the sensor IC is placed on the bottom of the pcb) the TCM-1260 electronics should not be removed/moved relative to the motor. In case the integrated encoder feature is not used, the electronics may be moved or even removed from the motor and placed somewhere else according to application requirements.



Length of the stepper motor “body” itself is 65mm for the PD60-3-1260 and 86mm for the PD60-4-1260.



3.3 Stepper motor

Main characteristics of the four different motors available as part of the PD57-x-1260 and PD60-x-1260 PANdrive™:

| Specifications | Unit | PD57-1-1260 | PD57-2-1260 | PD60-3-1260 | PD60-4-1260 |
|---|-------------------|-------------|-------------|-------------|-------------|
| Step angle | ° | 1.8 | 1.8 | 1.8 | 1.8 |
| Step angle accuracy | % | +/-5 | +/-5 | +/-5 | +/-5 |
| Ambient temperature | °C | -20...+50 | -20...+50 | -20...+50 | -20...+50 |
| Max. motor temperature | °C | 80 | 80 | 80 | 80 |
| Shaft radial play (450g load) | mm | 0.02 | 0.02 | 0.02 | 0.02 |
| Shaft axial play (450g load) | mm | 0.08 | 0.08 | 0.08 | 0.08 |
| Max radial force (20mm from front flange) | N | 57 | 57 | 57 | 57 |
| Max axial force | N | 15 | 15 | 15 | 15 |
| Rated voltage | V | 2.0 | 2.3 | 3.36 | 4.17 |
| Rated phase current | A | 2.8 | 2.8 | 2.8 | 2.8 |
| Phase resistance at 20°C | Ω | 0.7 | 0.83 | 1.2 | 1.5 |
| Phase inductance (typ.) | mH | 1.4 | 2.2 | 4.6 | 6.8 |
| Holding torque | Nm | 0.55 | 1.01 | 2.1 | 3.1 |
| Insulation class | | B | B | B | B |
| Rotor inertia | g cm ² | 120 | 275 | 570 | 840 |
| Weight | kg | 0.45 | 0.65 | 1.2 | 1.4 |

Table 3: NEMA23 / 57mm and NEMA24 / 60mm stepper motor technical data



3.4 Integrated sensOstep™ encoder

The PD57/60-x-1260 PANdrives offer integrated sensOstep™ encoders based on hall sensor technology. As the name “sensOstep™” already indicates intended use of this type of compact and highly integrated encoder is step loss detection of motor movements. As soon as the motor has been moved to a new location the position may be verified using this encoder feedback. In case the stepper motor has lost one or multiple steps during movement e.g. due to overload / any obstacle encountered during movement the motor axes will jump for at least one electrical period / 4 full steps. This can be detected using the integrated encoder. In addition, step losses may be already detected during motor movements using the “deviation” setting available as part of the TMCL firmware (see PD57/60-x-1260 / TMCM-1240 firmware manual for more details).

While the encoder offers 10bit (1024 steps) resolution per motor revolution the absolute position information is less accurate and depends on the displacement of the hall sensor based encoder IC relative to the magnet and motor axis among other factors. Every PANdrive™ has been tested for maximum deviation of +/- 5 encoder steps (static performance) relative to commanded microstep target position during final tests after assembly at our factory. This will ensure more than adequate performance of the integrated sensOstep™ encoder for step loss detection during motor movements.

NOTICE

Do not disassemble PANdrive™ when using integrated encoder In order to make proper use of the integrated sensOstep™ encoder (the sensor IC is placed on the bottom center of the pcb) the TMCM-1260 electronics should not be removed/moved relative to the motor! Otherwise encoder performance might suffer / not work.

Note: In case the integrated encoder feature is not used, the TMCM-1260 electronics may be moved or even removed from the motor and placed somewhere else according to application requirements.

NOTICE

Keep the electronics free of (metal) particles! The integrated sensOstep™ encoder uses a magnet at the end of the motor axis in order to monitor position of the motor axis. The magnet naturally attracts especially tiny metal particles. These particles might be held on the top side of the PCB and even worse - start moving in accordance with the rotating magnetic field as soon as the motor starts moving. This might lead to shorts of electronic contacts / wires on the board and totally erratic behavior of the module! Use compressed air for cleaning the module if necessary (especially in prototype setups).

In order to prevent shorts and better protect the electronics the TMCM-1260 printed circuit board is coated after assembly of components.



4 Connectors

The PD57/60-x-1260 offers six connectors altogether. There is one power supply connector and two interface connectors - one with five pins for RS485 and CAN and a dedicated micro-USB connector. All other inputs and outputs are concentrated on one 8 pin connector. Furthermore, there is one connection for the stepper motor with four pins with a choice between two connectors with different size, pitch and current rating. For the line of PANdrives™ the smaller one is used and already connected to the attached motor.

NOTICE

Start with power supply OFF and do not connect or disconnect motor during operation! Motor cable and motor inductivity might lead to voltage spikes when the motor is (dis)connected while energized. These voltage spikes might exceed voltage limits of the driver MOSFETs and might permanently damage them. Therefore, always switch off / disconnect power supply or at least disable driver stage before connecting / disconnecting motor.

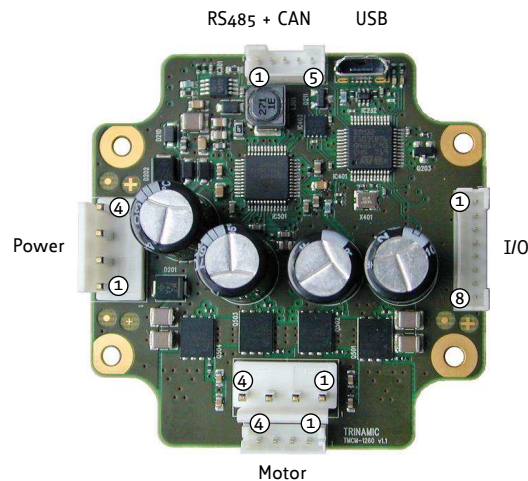


Figure 1: PD57/60-x-1260 connectors

| Connector Types and Mating Connectors | | |
|---------------------------------------|---|--|
| Connector | Connector type on-board | Mating connector type |
| Power | JST B4P-VH (JST VH series, 4pins, 3.96mm pitch) | Connector housing: JST VHR-4N Contacts: JST SVH-21T-P1.1 Wire: 0.83mm ² , AWG 18 |
| Motor | JST JST B4P-VH (JST VH series, 4pins, 3.96mm pitch) or JST JST B4B-EH-A (JST EH series, 4pins, 2.5mm pitch) | Connector housing: JST VHR-4N Contacts: JST SVH-21T-P1.1 Wire: 0.83mm ² , AWG 18 or Connector housing: JST EHR-4 Contacts: JST SEH-001T-P0.6 Wire: 0.33mm ² , AWG 22 |
| RS485+CAN | JST B5B-PH-K-S (JST PH series, 5pins, 2mm pitch) | Connector housing: JST PHR-5 Contacts: JST SPH-002T-P0.5S Wire: 0.22mm ² , AWG 24 |



| Connector | Connector type on-board | Mating connector type |
|-----------|---|--|
| USB | USB-micro B female connector | USB-micro B male connector |
| I/O | JST B8B-PH-K-S (JST PH series, 8pins, 2mm pitch) | Connector housing: JST PHR-8 Contacts: JST SPH-002T-P0.5S Wire: 0.22mm ² , AWG 24 |

Table 4: Connector Types and Mating Connectors of the PD57/60-x-1260

4.1 Power Supply Input Connector

The PD57/60-x-1260 offers one 4pin JST VH series power supply input connector. In addition to main power supply input and related ground connection this connector offers a separate logic supply input with the option to keep the on-board logic alive while the driver stage is switched off. It is not necessary to connect the logic supply input in case separate supplies are not required as the main power supply input will always supply power to the driver stage and the logic part.

The power supply input connector offers a driver enable input. This input has to be connected to any voltage above 3.5V up-to max. supply voltage of 54V in order to enable the driver stage. Leaving this pin unconnected or connected to ground (voltage below 2.4V) will disable the driver stage regardless of any settings in software. This input may be connected to main power supply input permanently in case an enable input in hardware is not required.

| Power Supply Connector Pin Assignment | | | |
|---------------------------------------|--------------------|---------------|---|
| Pin | Label | Direction | Description |
| 1 | GND | Power (GND) | Common system supply and signal ground |
| 2 | V _{MAIN} | Power (input) | Main power supply input for the driver and on-board logic 12... 54V |
| 3 | Enable | Digital input | Driver enable input. A voltage above 3.5V is required here in order to enable the on-board stepper motor driver. This input maybe connected to main power supply input in order to enable the driver stage. |
| 4 | V _{LOGIC} | Power (input) | Optional separate power supply input for the on-board logic 12... 54V |

Table 5: Power Supply Connector Pin Assignment

NOTICE

Do not connect or disconnect motor during operation! Motor cable and motor inductivity might lead to voltage spikes when the motor is (dis)connected while energized. These voltage spikes might exceed voltage limits of the driver MOSFETs and might permanently damage them. Therefore, always switch off / disconnect power supply or at least disable driver stage before connecting / disconnecting motor.

NOTICE

Take care of polarity, wrong polarity can destroy the board!

NOTICE

Connect Enable pin to voltage >3.5V in order to enable motor movements!



4.2 Motor Connector

Two four pin motor connectors are available. Either of them can be used for connecting a bipolar stepper motor. Both connectors are connected to the same driver stage therefore, just one connector should be used at the same time. While the more compact 4pin JST EH series connector is suitable for motor currents up-to 3A RMS the larger JST VH series connector is able to support all motor current up-to 6A RMS (limit of the unit). With the PANdrive version motor current is limited to 3A RMS and the JST EH connector is used, only.

| Motor Connector Pin Assignment | | | |
|--------------------------------|-------|-----------|-----------------------|
| Pin | Label | Direction | Description |
| 1 | B1 | out | Pin 1 of motor coil B |
| 2 | B2 | out | Pin 2 of motor coil B |
| 3 | A1 | out | Pin 1 of motor coil A |
| 4 | A2 | out | Pin 2 of motor coil A |

Table 6: Motor Connector Pin Assignment

NOTICE

Connect just one motor connector at the same time! Both connectors are connected to the same driver stage.

NOTICE

Do not connect or disconnect motor during operation! Motor cable and motor inductivity might lead to voltage spikes when the motor is (dis)connected while energized. These voltage spikes might exceed voltage limits of the driver MOSFETs and might permanently damage them. Therefore, always switch off / disconnect power supply or at least disable driver stage before connecting / disconnecting motor.

NOTICE

Do not mix-up power supply connector and the larger motor connector!

4.3 RS485 + CAN Connector

For serial communication the PD57/60-x-1260 offers selection between RS485, CAN and USB interfaces. While the USB interface is available for configuration and service of the board, mainly (e.g. parameter settings, firmware updates) a 5-pin JST PH series connector offers 2-wire RS485 and CAN interfaces for in system communication.

NOTICE

Due to hardware resource sharing USB and CAN communication interfaces are not available at the same time. As soon as USB is physically attached to a host or hub the CAN interface will be switched off.

| RS485 + CAN Connector Pin Assignment | | | |
|--------------------------------------|--------|---------------|---|
| Pin | Label | Direction | Description |
| 1 | GND | Power (GND) | Common system supply and signal ground |
| 2 | RS485+ | Bidirectional | RS485 interface, diff. signal (non-inverting) |



| Pin | Label | Direction | Description |
|-----|--------|---------------|---|
| 3 | RS485- | Bidirectional | RS485 interface, diff. signal (inverting) |
| 4 | CAN_H | Bidirectional | CAN interface, diff. signal (non-inverting) |
| 5 | CAN_L | Bidirectional | CAN interface, diff. signal (inverting) |

Table 7: RS485 + CAN Connector Pin Assignment

4.4 USB Connector

For serial communication the PD57/60-x-1260 offers selection between RS485, CAN and USB interfaces. The USB interface via on-board micro-USB connector (type B) is available for configuration and service of the board, mainly (e.g. parameter settings, firmware updates). The USB device interface supports full speed (12Mbit/s) communication and supports bus powered and self-powered operation. During bus-powered operation the low voltage logic part of the board will be powered, only. This includes the microcontroller and the non-volatile memory and therefore allows parameter settings and firmware updates of the board using a standard USB cable, only. Of course, for any motor movement main supply via supply input connector is required.

NOTICE

Due to hardware resource sharing USB and CAN communication interfaces are not available at the same time. As soon as USB is physically attached to a host or hub the CAN interface will be switched off.

| USB Connector Pin Assignment | | | |
|------------------------------|-------|---------------|---|
| Pin | Label | Direction | Description |
| 1 | VBUS | Power (+5V) | USB +5V nom. power supply input |
| 2 | D- | Bidirectional | USB interface, diff. signal (inverting) |
| 3 | D+ | Bidirectional | USB interface, diff. signal (inverting) |
| 4 | ID | Input | connected to GND (via 100k resistor) |
| 5 | GND | Power (GND) | Common system supply and signal ground |

Table 8: USB Connector Pin Assignment

4.5 I/O Connector

The PD57/60-x-1260 offers several inputs (two of them optically isolated) and one digital (open-drain) output. The inputs include support for stop switches (left and right), home switch, step/direction, incremental A/B channel encoder and analog (0... +10V) input. All this functionality is available via one 8pin JST PH series I/O connector.

| USB Connector Pin Assignment | | | |
|------------------------------|----------|-------------|--|
| Pin | Label | Direction | Description |
| 1 | GND | Power (GND) | Common system supply and signal ground |
| 2 | IN0/HOME | Input | Analog input (0... +10V) HOME switch input +24V tolerant, programmable (separate) pull-up to +5V |



| Pin | Label | Direction | Description |
|-----|-------------|-------------|--|
| 3 | IN1/ENC_A | Input | General purpose digital input Incremental encoder input channel A <i>+24V tolerant, programmable pull-up (for IN1/IN2 together) to +5V</i> |
| 3 | IN2/ENC_B | Input | General purpose digital input Incremental encoder input channel B <i>+24V tolerant, programmable pull-up (for IN1/IN2 together) to +5V</i> |
| 5 | STOP_L/STEP | Input | STOP left switch input STEP pulse input <i>input optically isolated, +24V compatible</i> |
| 6 | STOP_R/DIR | Input | STOP right switch input DIR input <i>input optically isolated, +24V compatible</i> |
| 7 | ISO_COM | Power | Common positive (+24V_ISO) or negative (GND_ISO) isolated supply input for optically isolated inputs |
| 8 | OUT0 | Output (OD) | Open-Drain output. Output will be pulled low when activated. <i>Voltages up-to logic supply input level (or main supply input in case separate logic supply is not used) are supported here. Max. continuous pull-down current: 100mA</i> |

Table 9: I/O Connector Pin Assignment

All pins marked light green offer functional isolation towards main supply input. In case this is not required ISO_COM may be connected to main ground or supply input, of course. The opto-coupler used are AC types. This way, either high side switches or low side switches for both inputs are supported.

5 On-Board LEDs

The board offers two LEDs in order to indicate board status. The function of both LEDs is dependent on the firmware version. With standard TMCL firmware the green LED should be flashing slowly during operation and the red LED should be off. When there is no valid firmware programmed into the board or during firmware update the red and green LEDs are permanently switched on. During reset to factory default values the green LED will be flashing fast. With CANopen firmware both LEDs are switched on/off/flashing according to standard definition.

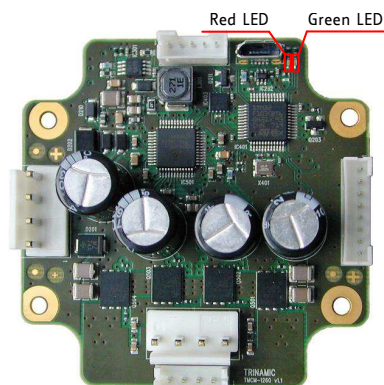


Figure 2: PD57/60-x-1260 LEDs

6 Reset to Factory Defaults

It is possible to reset all settings in firmware for the PD57/60-x-1260 to factory defaults without establishing a working communication connection. This might be helpful in case communication parameters of the preferred interface have been set to unknown values or got lost.

For this procedure two pads on the bottom side of the module have to be shorted (electrically connected with each other) during power-on.

Please perform the following steps:

1. Switch power supply OFF (and disconnect USB cable if applicable)
2. Short CLK and DIO pads of programming pads on bottom of pcb (see figure ??)
3. Switch power supply ON again (or connect USB again if applicable)
4. Wait until the on-board red and green LEDs start flashing fast (this might take a while)
5. Switch power supply OFF again (and disconnect USB cable if applicable)
6. Remove short between pads
7. After switching power supply ON again (and / or connecting USB cable) all permanent settings have been restored to factory defaults

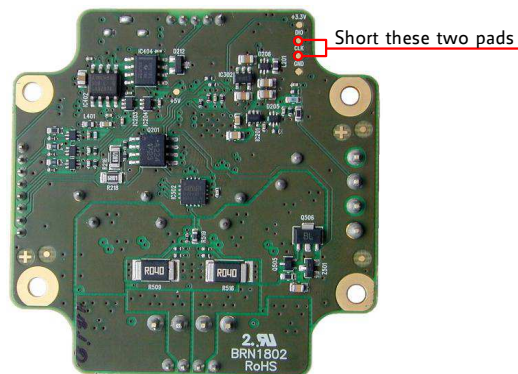


Figure 3: Reset to factory default settings



7 I/Os

The I/O connector (8pin JST PH series) offers one analog input, two non-isolated digital inputs with integrated pull-ups (programmable) and two optically isolated inputs. All inputs can be used for different purposes explained in more detail in the following subsections.

7.1 Analog input IN0

The PD57/60-x-1260 offers one analog input. The analog input voltage range is approx. 0..+10V. For voltages above +10V saturation takes place but, up-to 30V higher voltages are tolerated without destroying the input. For analog to digital conversion the integrated ADC of the on-board microcontroller is used. Resolution of this converter is 12bit (0..4095).

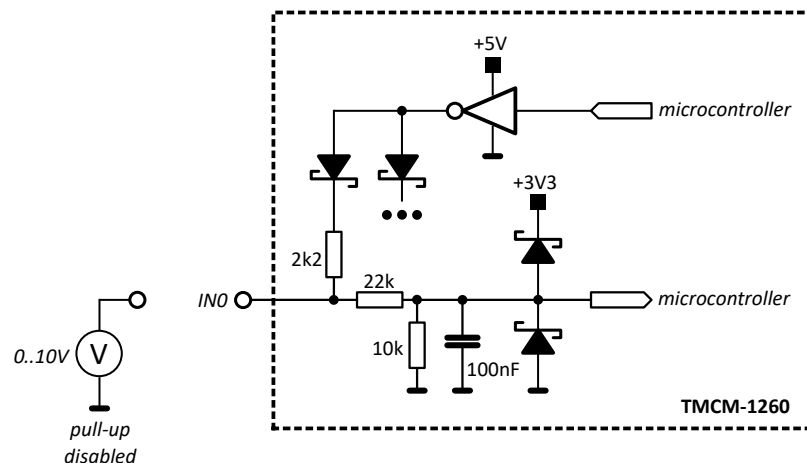


Figure 4: Analog input IN0

The analog input can be used as digital input, also. There is an integrated pull-up to +5V which can be switched on or off in software. When using this input as analog input the pull-up should be usually switched off.

7.2 Digital inputs IN1 and IN2

The PD57/60-x-1260 offers two digital inputs IN1 and IN2 which accept signals between 0 and 30V with voltages above approx. 2.9V recognized as logical '1' and below 1V as logical '0'. Both inputs offer integrated pull-ups to +5V which can be switched on or off in software (always together). When using the inputs with low-side switches (connected to GND), pull-ups usually should be switched on (default). In case high-side switches are used the pull-ups must be switched off. For push-pull signals the pull-ups may be either switched on or off.



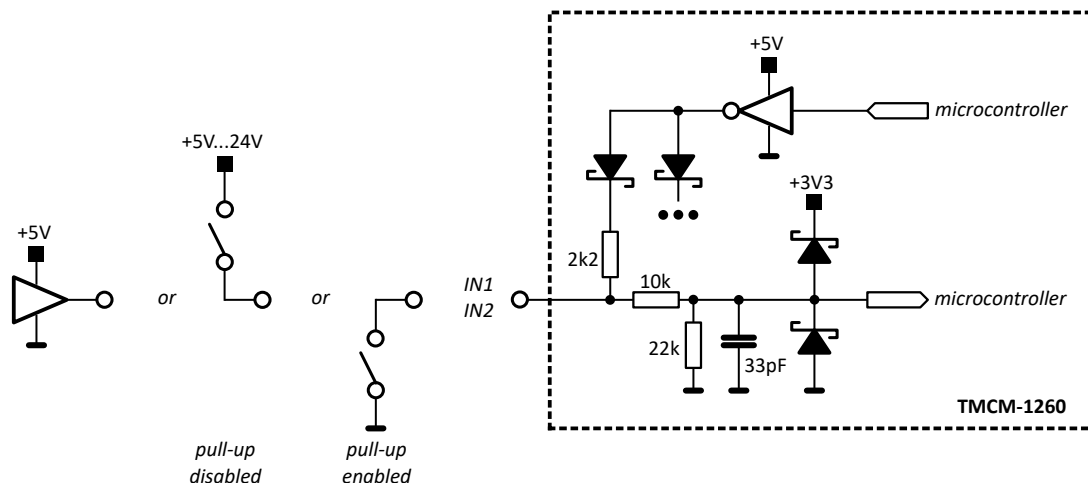


Figure 5: Digital inputs IN1 and IN2

7.3 HOME/STOP_L/STOP_R switch inputs

The PD57/60-x-1260 offers two optically isolated inputs which can be used as left (STOP_L) and right (STOP_R) stop switch inputs. When enabled in software the STOP_L switch input will stop motor movement in negative direction (step counter decreasing) while activated. Likewise the STOP_R switch input will stop motor movement in positive direction (step counter increasing) while activated.

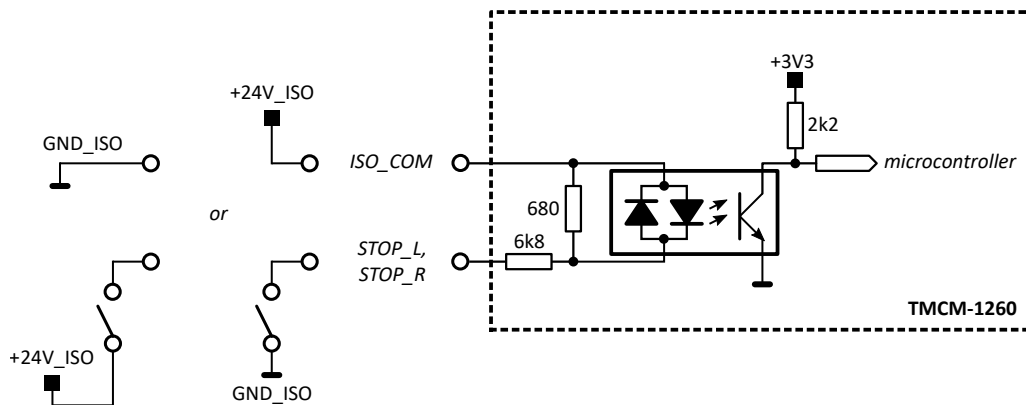


Figure 6: Stop switch inputs

A separated / isolated supply may be used for the switches - as indicated in the drawing (+24V_ISO and related GND_ISO) - but, same supply as for the PD57/60-x-1260 can be used, also, of course.

7.4 External incremental encoder input

The PD57/60-x-1260 offers an integrated hall-sensor based magnet encoder. In addition, an external incremental A/B encoder may be connected to the two digital inputs IN1 and IN2. Encoder with push-pull signals (e.g. +5V TTL) and open-drain output signals are supported (single-ended). For open-drain outputs the internal pull-ups should be activated in software (default mode).



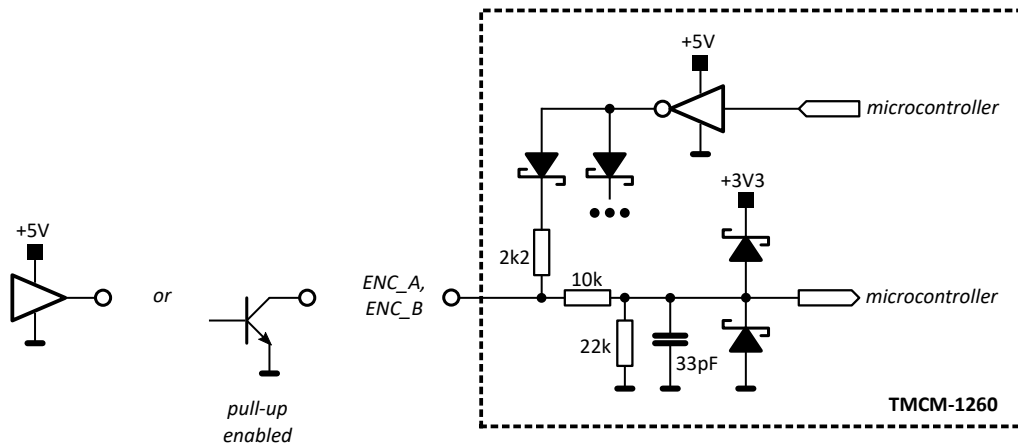


Figure 7: External encoder input

7.5 Step/Direction inputs

The PD57/60-x-1260 may be used as driver with an external motion controller. In this case the Step/Direction output signals of the external motion controller may be connected to the optically isolated Step/Dir inputs of the PD57/60-x-1260. Please note that these signals should be 24V signals. For lower voltage signals a simple small signal transistor may be inserted as level converter.

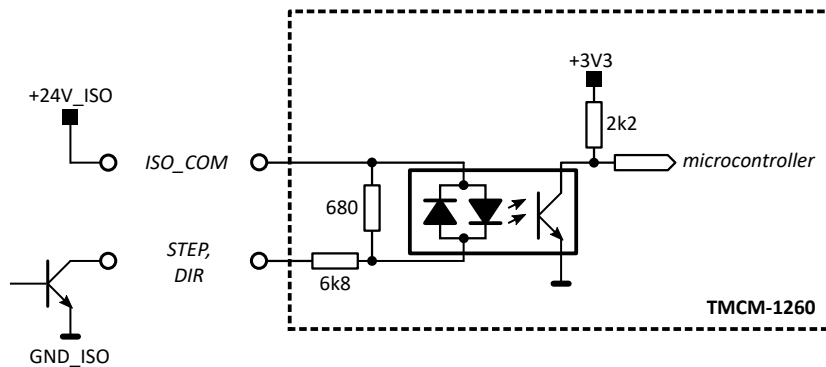


Figure 8: Step/Direction input

Due to limitations of the opto-isolators the maximum step frequency of these inputs is limited to around 20kHz. For higher motor speed the step interpolator of the driver stage should be activated or the microstep resolution reduced (default 256 microsteps per fullstep).



8 Communication

8.1 RS485

For remote control and communication with a host system the PD57/60-x-1260 provides a two wire RS485 bus interface. For proper operation the following items should be taken into account when setting up an RS485 network:

1. BUS STRUCTURE:

The network topology should follow a bus structure as closely as possible. That is, the connection between each node and the bus itself should be as short as possible. Basically, it should be short compared to the length of the bus.

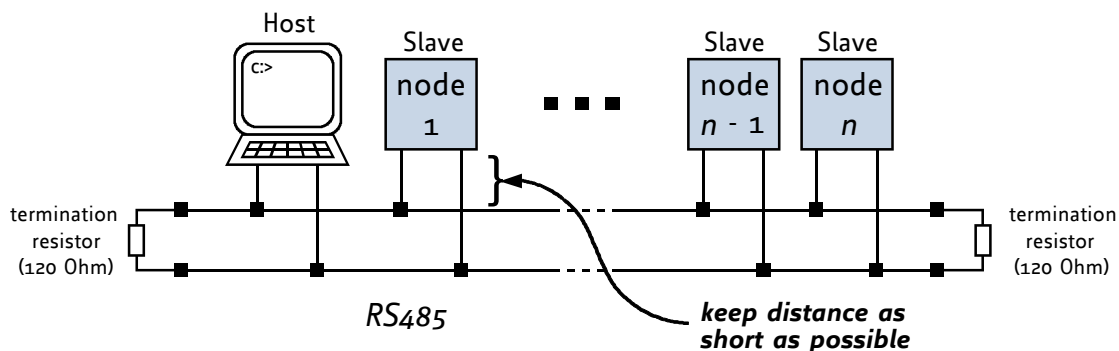


Figure 9: RS485 bus structure with termination resistors

2. BUS TERMINATION:

Especially for longer busses and/or multiple nodes connected to the bus and/or high communication speeds, the bus should be properly terminated at both ends. The PD57/60-x-1260 does not integrate any termination resistor. Therefore, 120 Ohm termination resistors at both ends of the bus have to be added externally.

3. NUMBER OF NODES:

The RS485 electrical interface standard (EIA-485) allows up to 32 nodes to be connected to a single bus. The bus transceiver used on the PD57/60-x-1260 units (SN65HVD1781D) offers a significantly reduced bus load compared to the standard and allows a maximum of 255 units to be connected to a single RS485 bus using standard TMCL firmware. *Please note: usually it cannot be expected to get reliable communication with the maximum number of nodes connected to one bus and maximum supported communication speed at the same time. Instead, a compromise has to be found between bus cable length, communication speed and number of nodes.*

4. COMMUNICATION SPEED:

The maximum RS485 communication speed supported by the PD57/60-x-1260 hardware is 1Mbit/s. Factory default is 9600 bit/s. Please see separate PD57/60-x-1260 TMCL firmware manual for information regarding other possible communication speeds below the upper hardware limit.

5. NO FLOATING BUS LINES:

Avoid floating bus lines while neither the host/master nor one of the slaves along the bus line is transmitting data (all bus nodes switched to receive mode). Floating bus lines may lead to communication errors. In order to ensure valid signals on the bus it is recommended to use a resistor network connecting both bus lines to well defined logic levels.

There are actually two options which can be recommended: Add resistor (bias) network on one side of the bus, only (120R termination resistor still at both ends):



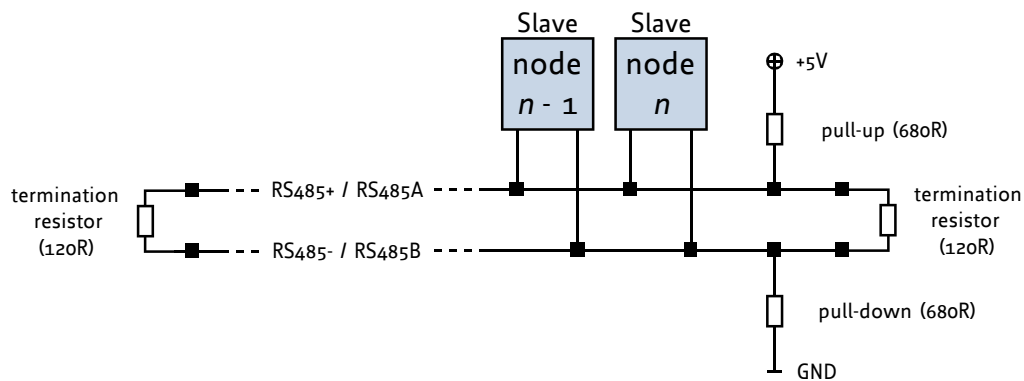


Figure 10: RS485 bus lines with resistor (bias) network on one side, only

Or add resistor network at both ends of the bus (like Profibus™ termination):

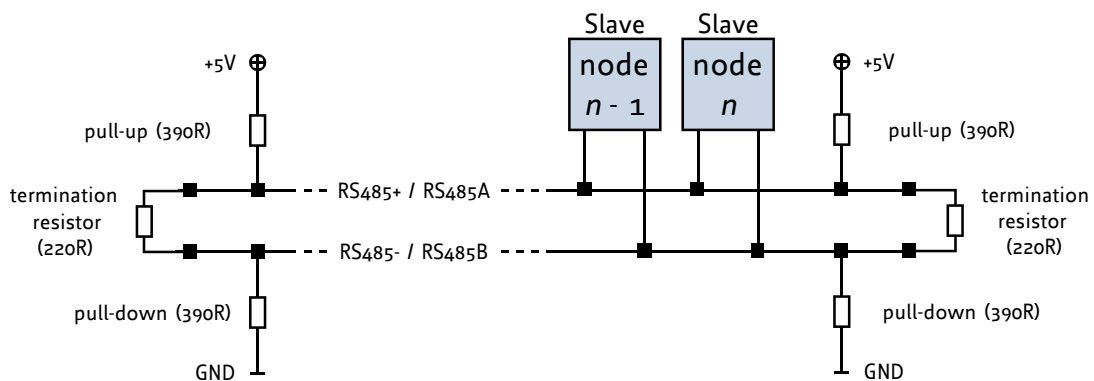


Figure 11: RS485 bus lines with Profibus™ recommended line termination

8.2 CAN

For remote control and communication with a host system the PD57/60-x-1260 provides a CAN bus interface. Please note that the CAN interface is not available in case USB is connected. For proper operation the following items should be taken into account when setting up a CAN network:

1. BUS STRUCTURE:

The network topology should follow a bus structure as closely as possible. That is, the connection between each node and the bus itself should be as short as possible. Basically, it should be short compared to the length of the bus.



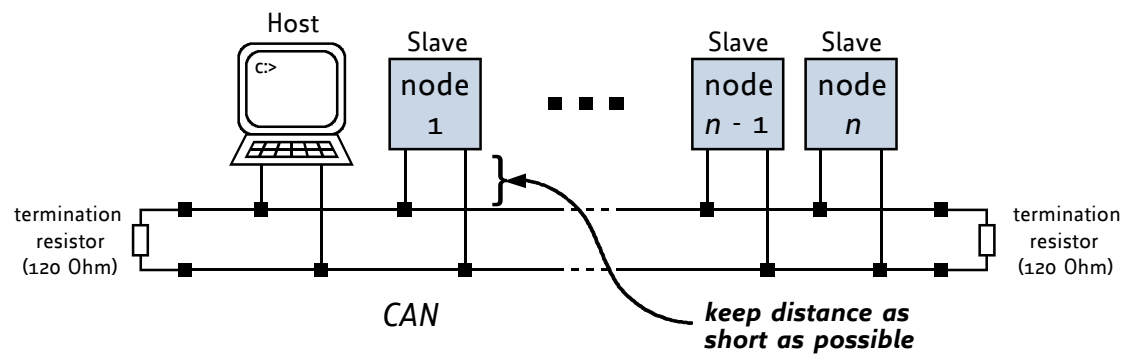


Figure 12: CAN bus structure with termination resistors

2. **BUS TERMINATION:**

Especially for longer busses and/or multiple nodes connected to the bus and/or high communication speeds, the bus should be properly terminated at both ends. The PD57/60-x-1260 does not integrate any termination resistor. Therefore, 120 Ohm termination resistors at both ends of the bus have to be added externally.

3. **BUS TERMINATION:**

The bus transceiver used on the PD57/60-x-1260 units (TJA1051T) supports at least 110 nodes under optimum conditions. Practically achievable number of nodes per CAN bus highly depend on bus length (longer bus -> less nodes) and communication speed (higher speed -> less nodes).



9 Motor driver current

The on-board stepper motor driver operates current controlled. The driver current may be programmed in software with 32 effective scaling steps in hardware.

Explanation of different columns in table below:

Motor current setting in software (TMCL) These are the values for TMCL axis parameter 6 (motor run current) and 7 (motor standby current). They are used to set the run / standby current using the following TMCL commands:

```
SAP 6, 0, <value> // set run current
```

```
SAP 7, 0, <value> // set standby current
```

(read-out value with GAP instead of SAP. Please see separate PD57/60-x-1260 firmware manual for further information)

Motor current I_{RMS} [A] Resulting motor current based on motor current setting

NOTICE

For the PD57-1-1260, PD57-2-1260, PD60-3-1260 and PD60-4-1260 line of PAN-Drives™ the maximum motor current setting for the TMCM-1260 electronics has been limited to 3A RMS in order to avoid any damage to the attached motors. The TMCM-1260 separately available without motor supports motor current settings up-to 6A RMS.

| Motor current setting in software (TMCL) | Current scaling step (CS) | Motor current I_{COIL} [A] peak | Motor current I_{COIL} [A] RMS |
|--|---------------------------|-----------------------------------|----------------------------------|
| 0...7 | 0 | 0.127 | 0.090 |
| 8...15 | 1 | 0.254 | 0.180 |
| 16...23 | 2 | 0.381 | 0.269 |
| 24...31 | 3 | 0.508 | 0.359 |
| 32...39 | 4 | 0.635 | 0.449 |
| 40...47 | 5 | 0.762 | 0.539 |
| 48...55 | 6 | 0.889 | 0.628 |
| 56...63 | 7 | 1.016 | 0.718 |
| 64...71 | 8 | 1.143 | 0.808 |
| 72...79 | 9 | 1.270 | 0.898 |
| 80...87 | 10 | 1.396 | 0.987 |
| 88...95 | 11 | 1.523 | 1.077 |
| 96...103 | 12 | 1.650 | 1.167 |
| 104...111 | 13 | 1.777 | 1.257 |
| 112...119 | 14 | 1.904 | 1.347 |
| 120...127 | 15 | 2.031 | 1.436 |



| Motor current setting in software (TMCL) | Current scaling step (CS) | Motor current I_{COIL} [A] peak | Motor current I_{COIL} [A] RMS |
|--|---------------------------|--|---|
| 128... 135 | 16 | 2.158 | 1.526 |
| 136... 143 | 17 | 2.285 | 1.616 |
| 144... 151 | 18 | 2.412 | 1.706 |
| 152... 159 | 19 | 2.539 | 1.795 |
| 160... 167 | 20 | 2.666 | 1.885 |
| 168... 175 | 21 | 2.793 | 1.975 |
| 176... 183 | 22 | 2.920 | 2.065 |
| 184... 191 | 23 | 3.047 | 2.154 |
| 192... 199 | 24 | 3.174 | 2.244 |
| 200... 207 | 25 | 3.301 | 2.334 |
| 208... 215 | 26 | 3.428 | 2.424 |
| 216... 223 | 27 | 3.555 | 2.514 |
| 224... 231 | 28 | 3.682 | 2.603 |
| 232... 239 | 29 | 3.809 | 2.693 |
| 240... 247 | 30 | 3.936 | 2.783 |
| 248... 255 | 31 | 4.063 | 2.873 |

Table 11: Available motor current settings

In addition to the settings in the table the motor current may be switched off completely (free-wheeling) using axis parameter 204 (see PD57/60-x-1260 firmware manual).

