



Chipsmall Limited consists of a professional team with an average of over 10 year of expertise in the distribution of electronic components. Based in Hongkong, we have already established firm and mutual-benefit business relationships with customers from,Europe,America and south Asia,supplying obsolete and hard-to-find components to meet their specific needs.

With the principle of “Quality Parts,Customers Priority,Honest Operation,and Considerate Service”,our business mainly focus on the distribution of electronic components. Line cards we deal with include Microchip,ALPS,ROHM,Xilinx,Pulse,ON,Everlight and Freescale. Main products comprise IC,Modules,Potentiometer,IC Socket,Relay,Connector.Our parts cover such applications as commercial,industrial, and automotives areas.

We are looking forward to setting up business relationship with you and hope to provide you with the best service and solution. Let us make a better world for our industry!



Contact us

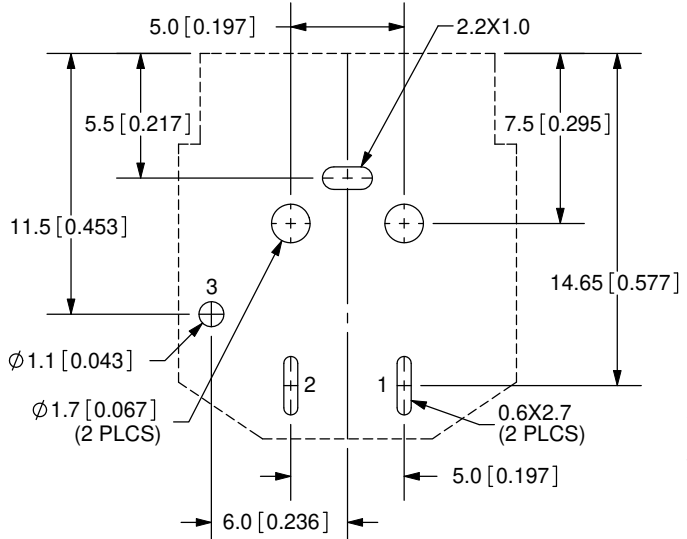
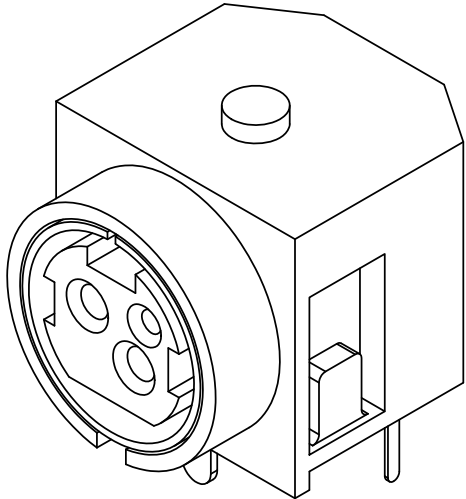
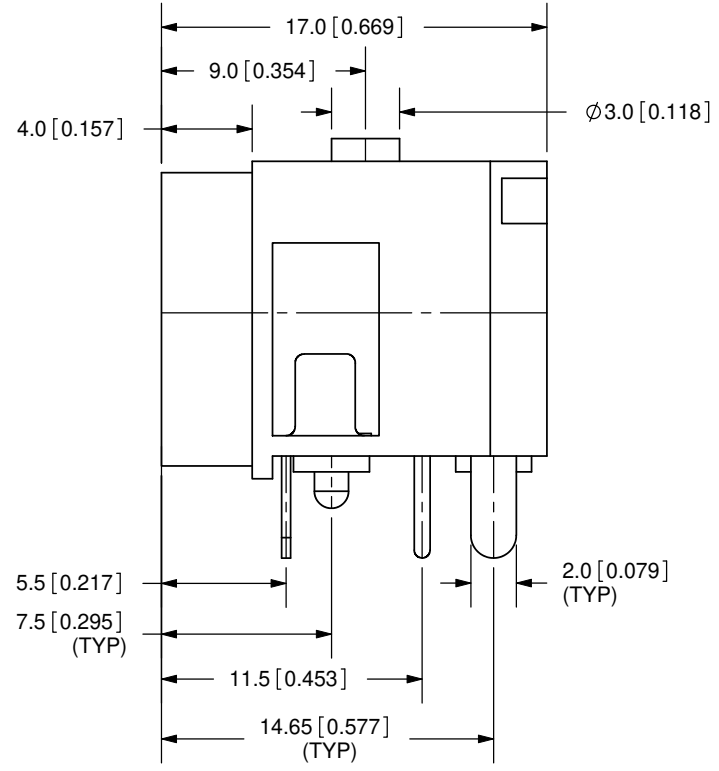
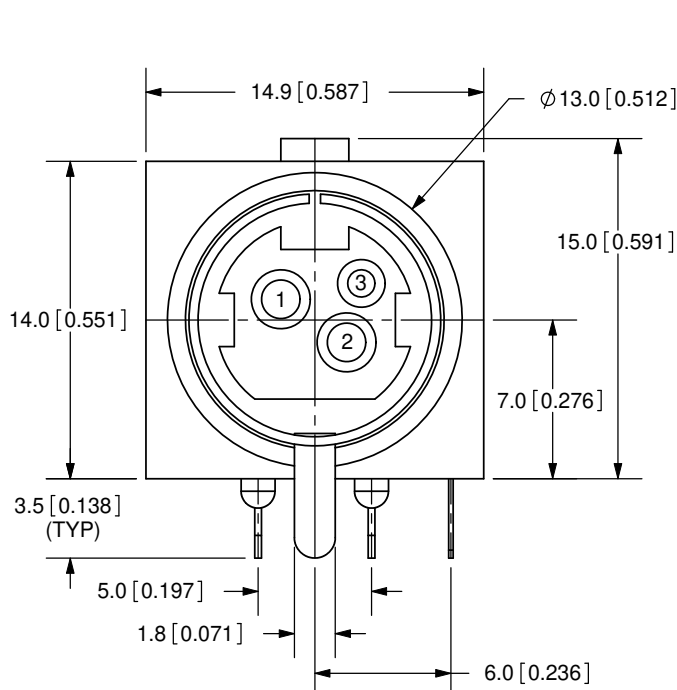
Tel: +86-755-8981 8866 Fax: +86-755-8427 6832

Email & Skype: info@chipsmall.com Web: www.chipsmall.com

Address: A1208, Overseas Decoration Building, #122 Zhenhua RD., Futian, Shenzhen, China



REV.	DESCRIPTION	DATE
A	NEW DRAWING	11/19/2008
B	update to tolerance	9/8/2009



PCB LAYOUT
TOP VIEW

SPECIFICATIONS:
 RATING: 20V DC@ 7.5A
 CONTACT RESISTANCE: 30m OHMS MAX
 INSULATION RESISTANCE: 50M OHMS MIN: 250V DC
 VOLTAGE WITHSTAND: 250V AC R.M.S. FOR 1 MINUTE
 INSERTION FORCE: 6.0KG MAX
 WITHDRAWAL FORCE: 0.5 - 6.0KG
 LIFE: 1,000 CYCLES

TOLERANCE:
 $\pm 0.2\text{mm}$ UNLESS OTHERWISE
 SPECIFIED



20050 SW 112th Ave.
 Tualatin, OR 97062
 Phone: 503-612-2300
 800-275-4899
 Fax: 503-612-2383
 Website: www.cui.com

	MATERIAL	PLATING	TITLE: 3-PIN POWER DIN JACK, RIGHT ANGLE, NO SHIELDING	REV: B
TERMINAL 1	Phosphor Bronze	Tin	PART NO. PD-30	UNITS: MM [INCHES]
TERMINALS 2-3	Brass	Tin		
EARTH TERMINAL	Brass	Tin	DRAWN BY: ZRJ	APPROVED BY:
HOUSING	PBT			

PC FILE NAME:
PD-30

COPYRIGHT 2008 BY CUI INC.