



Chipsmall Limited consists of a professional team with an average of over 10 year of expertise in the distribution of electronic components. Based in Hongkong, we have already established firm and mutual-benefit business relationships with customers from,Europe,America and south Asia,supplying obsolete and hard-to-find components to meet their specific needs.

With the principle of “Quality Parts,Customers Priority,Honest Operation,and Considerate Service”,our business mainly focus on the distribution of electronic components. Line cards we deal with include Microchip,ALPS,ROHM,Xilinx,Pulse,ON,Everlight and Freescale. Main products comprise IC,Modules,Potentiometer,IC Socket,Relay,Connector.Our parts cover such applications as commercial,industrial, and automotives areas.

We are looking forward to setting up business relationship with you and hope to provide you with the best service and solution. Let us make a better world for our industry!



Contact us

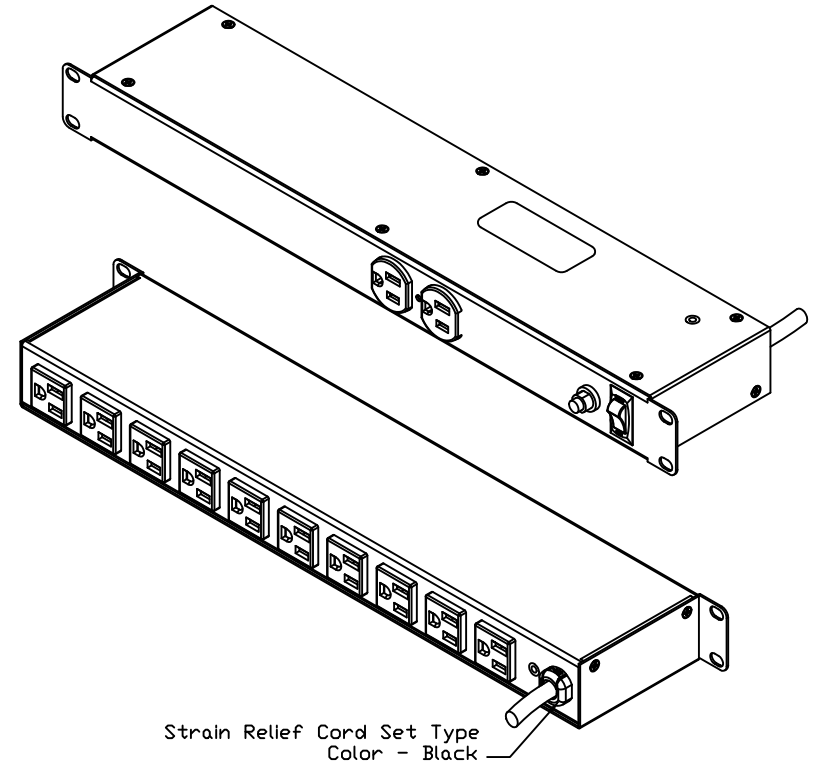
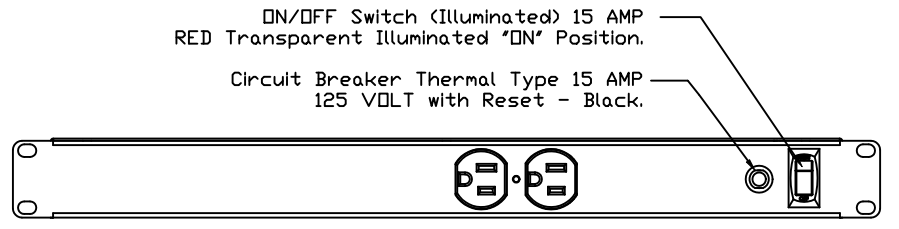
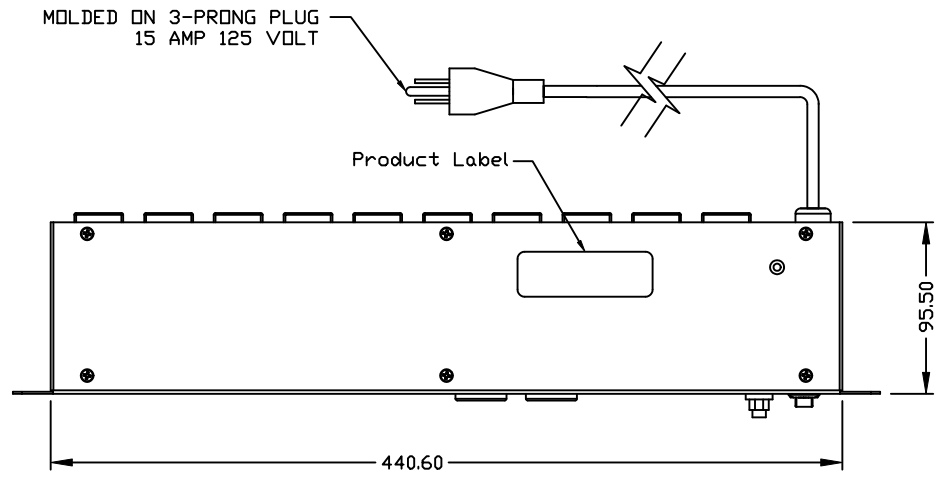
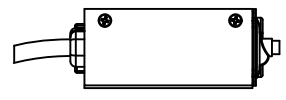
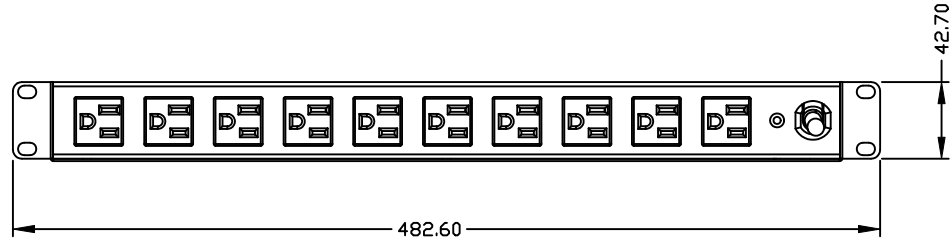
Tel: +86-755-8981 8866 Fax: +86-755-8427 6832

Email & Skype: info@chipsmall.com Web: www.chipsmall.com

Address: A1208, Overseas Decoration Building, #122 Zhenhua RD., Futian, Shenzhen, China



REVISIONS				
ZONE	REV.	DESCRIPTION	DATE	APPROVED
	X	Outlet Definition		WB
	1	Safety and Regulatory	2/19/2016	WB
	2	Production Level Spec.	3/21/2016	WB



Part Description	1U Rack Mount PDU, 12 Outlets (2 Front & 10 Rear), 15A WMP, Circuit Breaker
Delta Part Number	PD1215-RM
Finish	Powder Coat Black
Safety	UL1363 (UR Status)
Cord Length & AWG	15' (14 AWG x 3)
Connector - AC Input	NEMA 5-15P
Connector - AC Output	NEMA 5-15R

DELTA 台灣電子工業股份有限公司
DELTA ELECTRONICS, INC.

THESE DRAWINGS AND SPECIFICATIONS ARE THE PROPERTY OF DELTA ELECTRONICS, INC. AND SHALL NOT BE REPRODUCED OR USED AS THE BASIS FOR THE MANUFACTURE OR SELL OF APPARATUS OR DEVICES WITHOUT PERMISSION.

DIMENSIONAL TOLERANCES

CM	±0.25	FR	±0.25	FR	±0.25	FR	±0.25	FR	±0.25
IN	±0.010	IN	±0.010	IN	±0.010	IN	±0.010	IN	±0.010

SCALE: UNIT: MM USED ON

Drawn	ID-3D Design	Safety
Design	Layout	
Checked	IE	
Approved	W. Bradshaw	EE, Chk
Material	Steel	EE, App'd
Description		
1U HORIZONTAL MOUNT PDU		
Part No.	PD1215-RM	REV.
A2		2
SIZE	SHEET 1 OF 1	ISSUE DATE 22 MAR 16