



Chipsmall Limited consists of a professional team with an average of over 10 year of expertise in the distribution of electronic components. Based in Hongkong, we have already established firm and mutual-benefit business relationships with customers from,Europe,America and south Asia,supplying obsolete and hard-to-find components to meet their specific needs.

With the principle of “Quality Parts,Customers Priority,Honest Operation,and Considerate Service”,our business mainly focus on the distribution of electronic components. Line cards we deal with include Microchip,ALPS,ROHM,Xilinx,Pulse,ON,Everlight and Freescale. Main products comprise IC,Modules,Potentiometer,IC Socket,Relay,Connector.Our parts cover such applications as commercial,industrial, and automotives areas.

We are looking forward to setting up business relationship with you and hope to provide you with the best service and solution. Let us make a better world for our industry!



Contact us

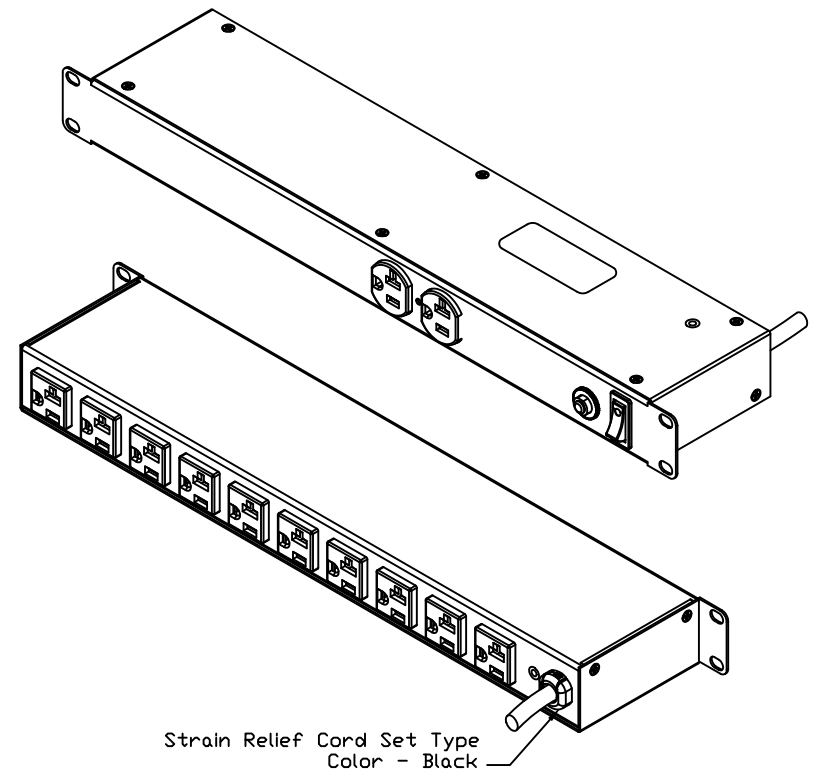
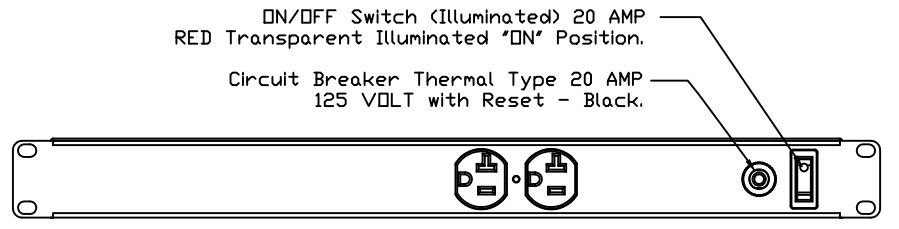
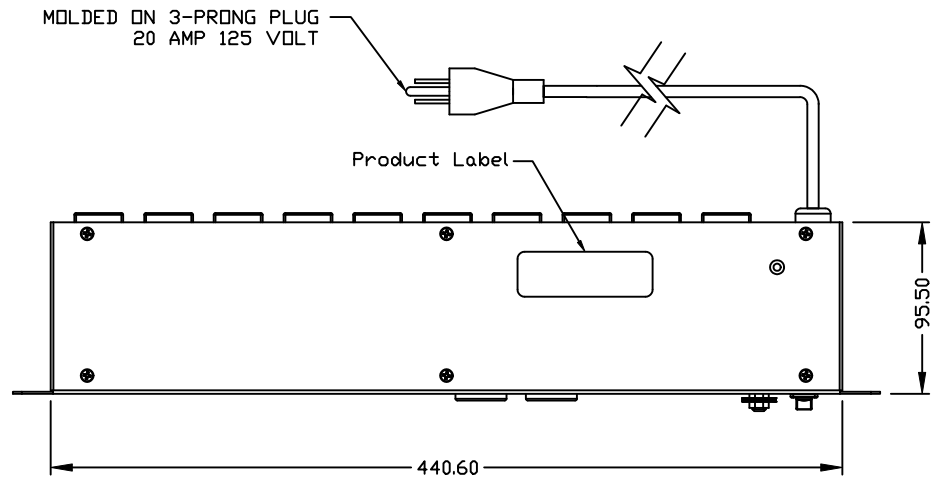
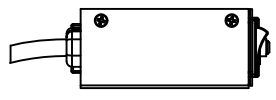
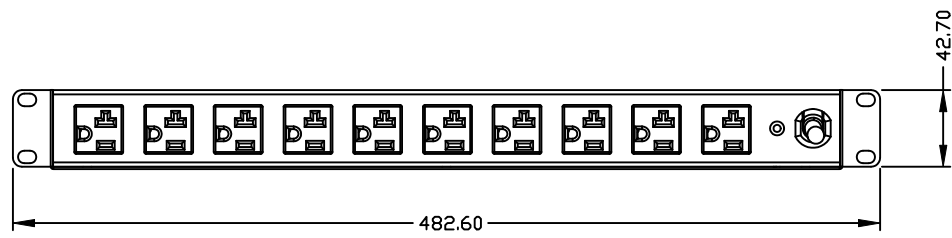
Tel: +86-755-8981 8866 Fax: +86-755-8427 6832

Email & Skype: info@chipsmall.com Web: www.chipsmall.com

Address: A1208, Overseas Decoration Building, #122 Zhenhua RD., Futian, Shenzhen, China



| REVISIONS | | | | |
|-----------|------|------------------------|-----------|----------|
| ZONE | REV. | DESCRIPTION | DATE | APPROVED |
| | X | Outlet Definition | | WB |
| | 1 | Safety and Regulatory | 2/19/2016 | WB |
| | 2 | Production Level Spec. | 3/21/2016 | WB |



| | |
|-----------------------|---|
| Part Description | 1U Rack Mount PDU, 12 Outlets (2 Front & 10 Rear), 20A WMP, Circuit Breaker |
| Delta Part Number | PD1220-RM |
| Finish | Powder Coat Black |
| Safety | UL1363 (UR Status) |
| Cord Length & AWG | 15' (12 AWG x 3) |
| Connector - AC Input | NEMA 5-20P |
| Connector - AC Output | NEMA 5-20R |



THESE DRAWINGS AND SPECIFICATIONS ARE THE PROPERTY OF DELTA ELECTRONICS, INC. AND SHALL NOT BE REPRODUCED OR USED AS THE BASIS FOR THE MANUFACTURE OR SELL OF APPARATUS OR DEVICES WITHOUT PERMISSION.

| DIMENSIONAL TOLERANCES | | MILLIMETERS | | INCHES | |
|------------------------|-------|-------------|-------|--------|-------|
| CS | ±0.25 | DRILL | ±0.12 | 20-25H | ±0.1 |
| 20-25H | ±0.25 | 2 | ±0.2 | 20-25H | ±0.25 |
| 20-25H | ±0.2 | XX | ±0.2 | 20-25H | ±0.2 |
| 20-25H | ±0.2 | XX | ±0.1 | 20-25H | ±0.25 |

| | | | |
|-------------|--------------|-------------------------|----------------------|
| Drawn | ID-3D Design | Safety | |
| Design | | Layout | |
| Checked | | IE: | |
| Approved | W. Bradshaw | EE, Chk | |
| Material | Steel | EE, App'd | |
| Description | | 1U HORIZONTAL MOUNT PDU | |
| Part No. | PD1220-RM | REV. | |
| SIZE | A2 | SHEET 1 OF 1 | ISSUE DATE 22 MAR 16 |
| | | | 2 |