



Chipsmall Limited consists of a professional team with an average of over 10 year of expertise in the distribution of electronic components. Based in Hongkong, we have already established firm and mutual-benefit business relationships with customers from,Europe,America and south Asia,supplying obsolete and hard-to-find components to meet their specific needs.

With the principle of “Quality Parts,Customers Priority,Honest Operation,and Considerate Service”,our business mainly focus on the distribution of electronic components. Line cards we deal with include Microchip,ALPS,ROHM,Xilinx,Pulse,ON,Everlight and Freescale. Main products comprise IC,Modules,Potentiometer,IC Socket,Relay,Connector.Our parts cover such applications as commercial,industrial, and automotives areas.

We are looking forward to setting up business relationship with you and hope to provide you with the best service and solution. Let us make a better world for our industry!



Contact us

Tel: +86-755-8981 8866 Fax: +86-755-8427 6832

Email & Skype: info@chipsmall.com Web: www.chipsmall.com

Address: A1208, Overseas Decoration Building, #122 Zhenhua RD., Futian, Shenzhen, China



Photoelectrics Diffuse-reflective Type PD30CND10...RT

CARLO GAVAZZI



- Miniature sensor range
- Range: 1 m
- Sensitivity adjustment by Teach-In programming
- Modulated, red light 660 nm
- Supply voltage: 10 to 30 VDC
- Output: 100 mA, NPN or PNP preset
- Make or break switching function programmable
- LED indication for output, stability and power ON
- Protection: reverse polarity, short circuit and transients
- Cable and plug versions
- Excellent EMC performance
- Remote teach features



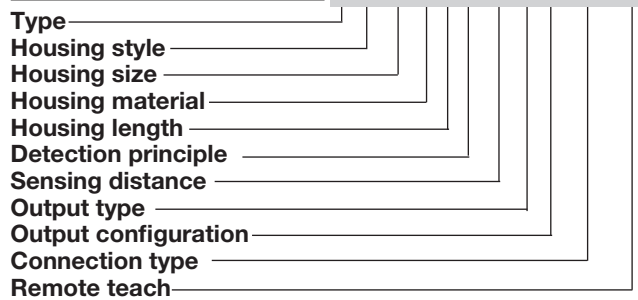
Product Description

The PD30CND10 sensor family comes in a compact 10 x 30 x 20 mm reinforced PMMA/ABS housing. The sensors are useful in applications where high-accuracy detection as well as small size is required. Compact housing and high power LED for excellent performance-size ratio.

The Teach-In function for adjustment of the sensitivity makes the sensors highly flexible. The output type is preset (NPN or PNP), and the output switching function is NO or NC output. A remote teach feature allows the sensor to be set up from e.g. a PLC.

Ordering Key

PD30CND10PPM5RT



Type Selection

Housing W x H x D	Range S _n	Connection	Ordering no. NPN Make or break switching	Ordering no. PNP Make or break switching
10 x 30 x 20 mm	1 m	Cable	PD 30 CND 10 NPRT	PD 30 CND 10 PPRT
10 x 30 x 20 mm	1 m	Plug	PD 30 CND 10 NPM5RT	PD 30 CND 10 PPM5RT

Specifications EN 60947-5-2

Rated operating distance (S_n)	Up to 1 m, reference target Kodak test card R27, white, 90% reflective, 200 x 200 mm	Light source	GaAIAs, LED, 660 nm
Blind zone	20 mm	Light type	Red, modulated
Sensitivity	Adjustable by Teach-In	Sensing angle	± 2°
Temperature drift	≤ 0.1%/°C	Ambient light	10,000 lux
Hysteresis (H) (differential travel)	≤ 10%	Light spot	110 mm @ 1.5 m
Rated operational volt. (U_B)	10 to 30 VDC (ripple included)	Operating frequency	1000 Hz
Ripple (U_{rpp})	≤ 10%	Response time	
Output current Continuous (I _a) Short-time (I)	≤ 100 mA ≤ 100 mA (max. load capacity 100 nF)	OFF-ON (t _{ON})	≤ 0.5 ms
No load supply current (I_o)	≤ 30 mA @ 24 VDC	ON-OFF (t _{OFF})	≤ 0.5 ms
Minimum operational current (I_m)	0.5 mA	Power ON delay (t_v)	≤ 300 ms
OFF-state current (I_r)	≤ 100 μA	Output function	Preset Set up by button
Voltage drop (U_d)	≤ 2.4 VDC @ 100 mA	NPN and PNP NO/NC switching function	
Protection	Short-circuit, reverse polarity and transients	Remote teach function	
		Teach on	0 to 2.5 VDC (NPN) 5 to 30 VDC (PNP)
		Tamper proof	When activated more than 20 sec., the sensor goes into a tamper proof mode.
		Indication	
		Output ON	LED, yellow
		Signal stability ON and power ON	LED, green

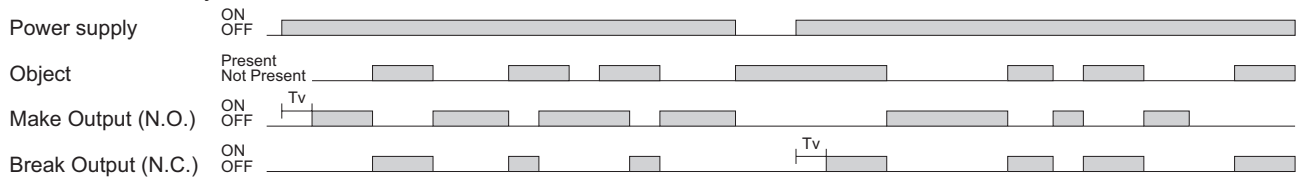


Specifications (cont.) EN 60947-5-2

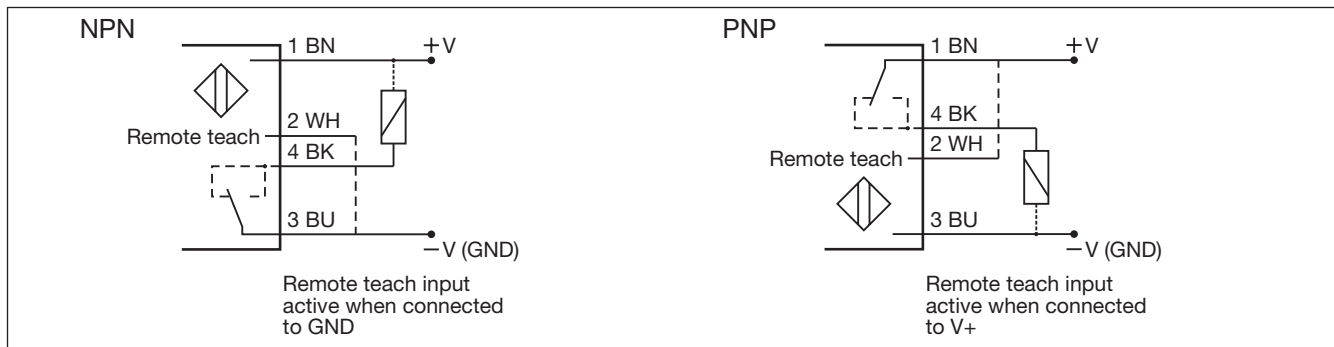
Environment		Rated insulation voltage	
Installation category	III (IEC 60664/60664A; 60947-1)	500 VAC (rms)	
Pollution degree	3 (IEC 60664/60664A; 60947-1)	Housing material	
Degree of protection	IP 67 (IEC 60529; 60947-1)	Body	ABS
Ambient temperature		Front material	PMMA, red
Operating	-25° to +55°C (-13° to +131°F)	Connection	
Storage	-40° to +70°C (-40° to +158°F)	Cable	PVC, black, 2 m 4 x 0.14 mm ² , Ø = 3.3 mm M8, 4-pin (CON. 54-series)
Vibration		Plug	With cable: 40 g With plug: 10 g
10 to 55 Hz, 0.5 mm/7.5 g (IEC 60068-2-6)		Weight	
Shock		With cable: 40 g With plug: 10 g	
30 g / 11ms, 3 pos, 3 neg per axis (IEC 60068-2-6, 60068-2-32)		CE-marking	
		Yes	
		Approvals	
		cULus (UL508)	

Operation Diagram

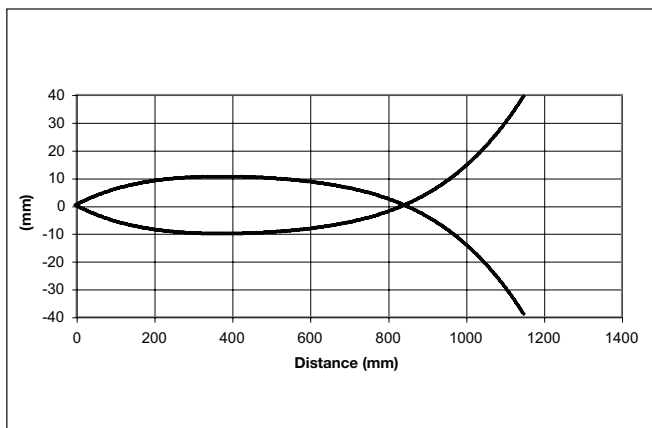
tv = Power ON delay



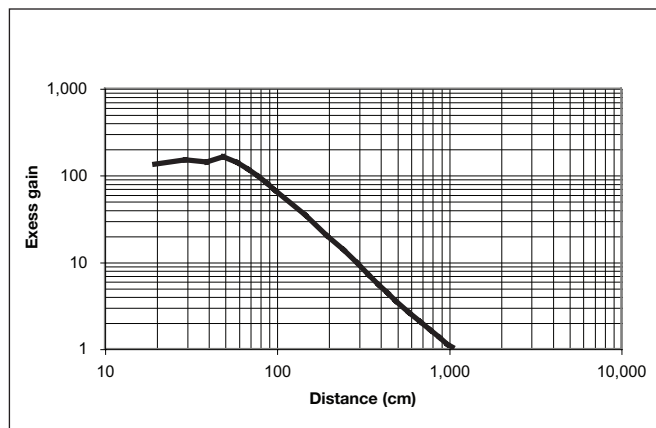
Wiring Diagrams



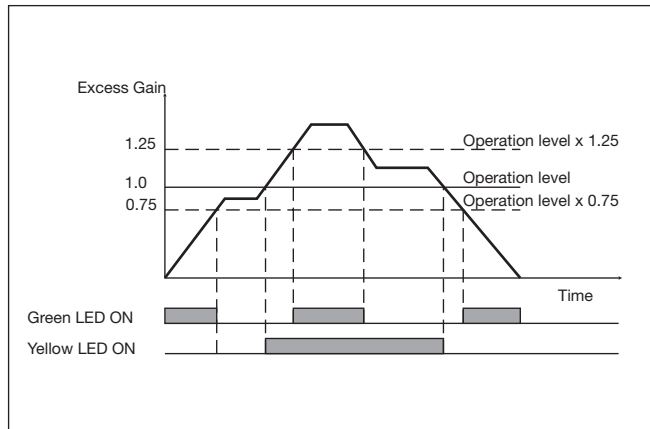
Detection Diagram



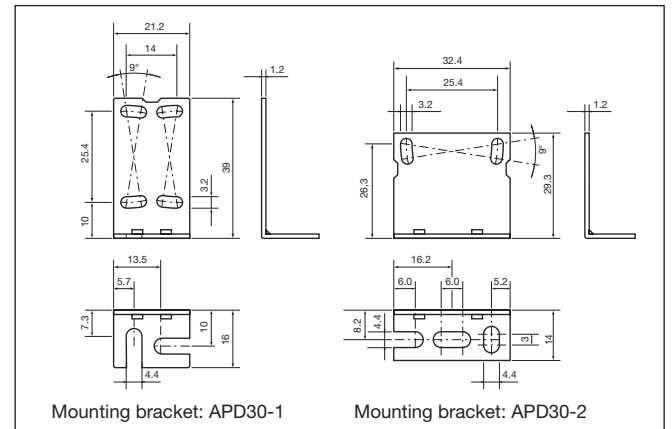
Excess Gain



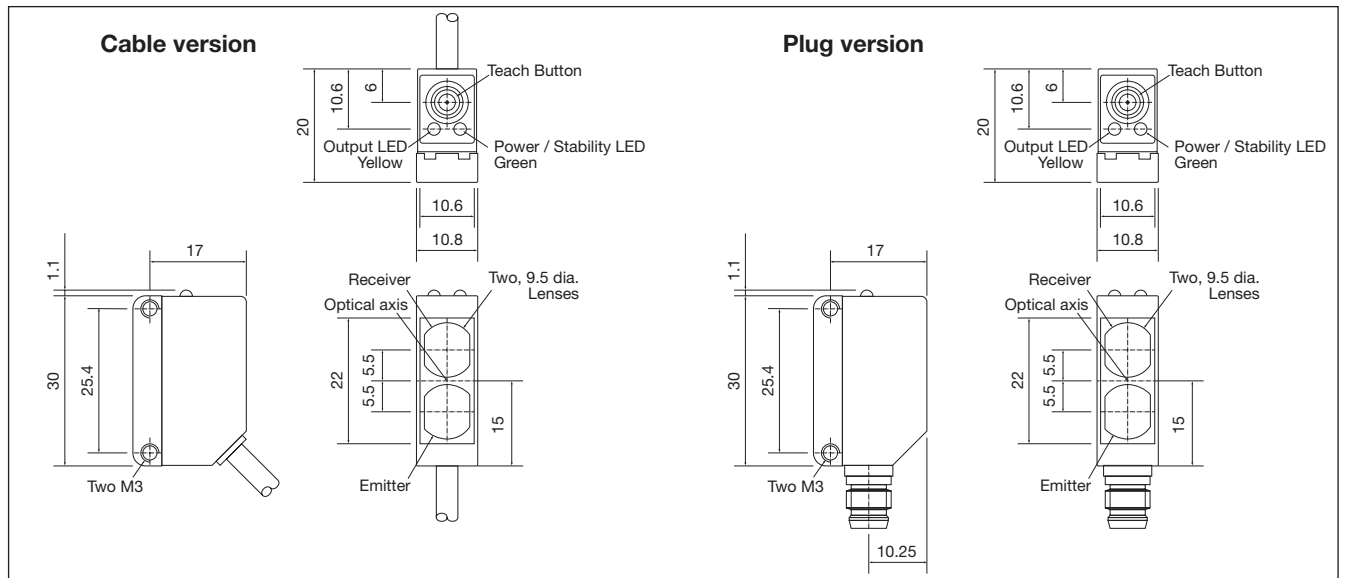
Signal Stability Indication



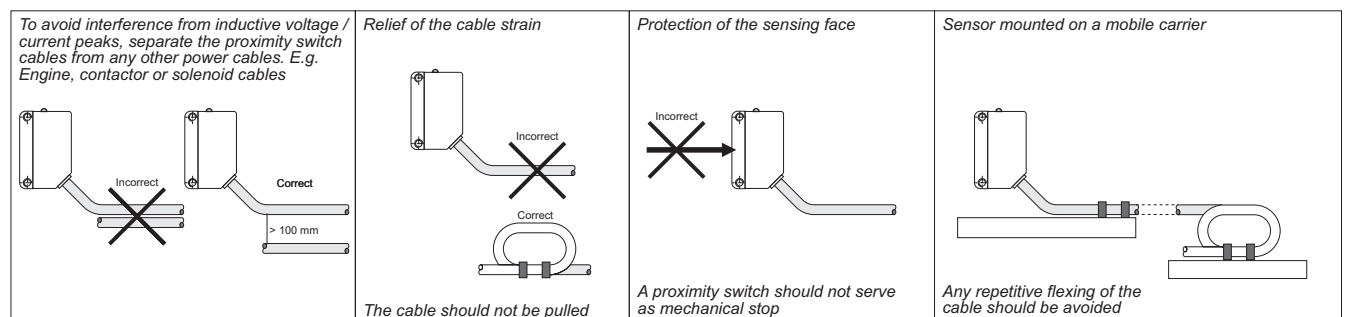
Accessories



Dimensions



Installation Hints



Delivery Contents

- Photoelectric switch: PD 30 CND 10 ...
- Installation instruction
- Mounting bracket APD30-MB1
- **Packaging:** Cardboard box

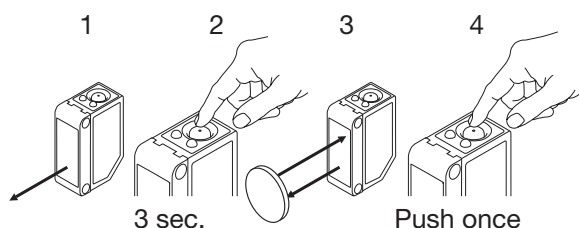
Accessories

- Mounting bracket APD30-MB2 to be purchased separately

Teach functions

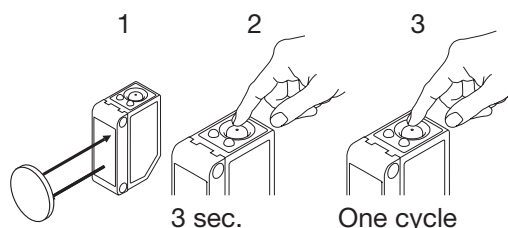
Normal operation, optimized switching point

1. Line up the sensor at the background. Yellow LED is OFF and Green LED is ON.
2. Press the button for 3 seconds until both LEDs flashes simultaneously.
(The first switch point is stored)
3. Place the object in the detection zone.
4. Press the button once and the sensor is ready to operate (Green LED ON, Yellow LED ON)
(The second switch point is stored)



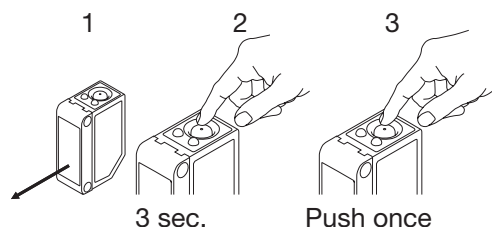
For dynamic set-up (running process)

1. Line up the sensor at the object. Green LED is ON, status on the yellow LED is not important.
2. Press the button for 3 second until both LEDs flashes simultaneously.
3. Press the button a second time for at least one second, both LED's flashes fast siultainiously and keep the button pressed for at least one process cycle, release the button and the sensor is ready to operate (The second switch point is stored)



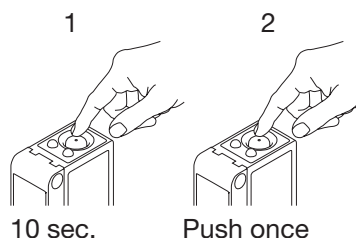
For maximum sensing distance (default setting)

1. Line up the sensor at the background. Yellow LED is OFF and Green LED is ON.
2. Press the button for 3 seconds until both LEDs flashes simultaneously.
(The first switch point is stored)
3. Press the button a second time and the sensor is ready to operate (Green LED ON, Yellow LED ON)
(The second switch point is stored)



For make or break set-up (N.O. or N.C.)

1. Press the button for 10 seconds, until the green LEDs flashes.
2. While the green LED flashes, the output is inverted each time the button is pressed. Yellow LED indicates N.O. function selected.
If the button is not pressed within the next 10 seconds, the current output is stored.



For minimum sensing distance

1. Line up the sensor at the object. Yellow LED is ON and Green LED is ON.
2. Press the button for 3 seconds until both LEDs flashes simultaneously.
(The first switch point is stored)
3. Press the button a second time and the sensor is ready to operate (Green LED ON, Yellow LED ON)
(The second switch point is stored)

