



Chipsmall Limited consists of a professional team with an average of over 10 year of expertise in the distribution of electronic components. Based in Hongkong, we have already established firm and mutual-benefit business relationships with customers from,Europe,America and south Asia,supplying obsolete and hard-to-find components to meet their specific needs.

With the principle of “Quality Parts,Customers Priority,Honest Operation,and Considerate Service”,our business mainly focus on the distribution of electronic components. Line cards we deal with include Microchip,ALPS,ROHM,Xilinx,Pulse,ON,Everlight and Freescale. Main products comprise IC,Modules,Potentiometer,IC Socket,Relay,Connector.Our parts cover such applications as commercial,industrial, and automotives areas.

We are looking forward to setting up business relationship with you and hope to provide you with the best service and solution. Let us make a better world for our industry!



## Contact us

Tel: +86-755-8981 8866 Fax: +86-755-8427 6832

Email & Skype: info@chipsmall.com Web: www.chipsmall.com

Address: A1208, Overseas Decoration Building, #122 Zhenhua RD., Futian, Shenzhen, China



# Photoelectrics Retro-reflective, Polarized Type PD30CNP06....MU

CARLO GAVAZZI



- Miniature sensor range
- Range: 6 m, with reflector
- Sensitivity adjustment by Teach-In programming
- Modulated, red light 660 nm, polarized
- Supply voltage: 10 to 30 VDC
- Output: 100 mA, NPN or PNP preset
- Make and break switching function programmable
- LED indication for output, stability and power ON
- Protection: reverse polarity, short circuit and transients
- Cable and plug versions
- Excellent EMC performance
- Mute function (Sensor blanking)



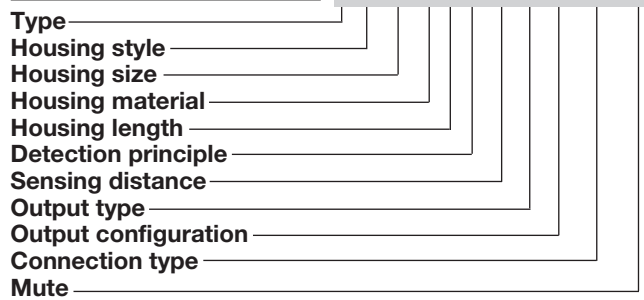
## Product Description

The PD30CNP06 sensor family comes in a compact 10 x 30 x 20 mm reinforced PMMA/ABS housing. The sensors are useful in applications where high-accuracy detection as well as small size is required. Compact housing and high power LED for excellent performance-size ratio.

The Teach-In function for adjustment of the sensitivity makes the sensors highly flexible. The output type is preset (NPN or PNP), and the output switching function is programmable (NO or NC). The mute function can be used for testing the sensor for: Malfunctioning, disconnection, optical axis adjustment, dusty and dirty lenses.

## Ordering Key

PD30CNP06PPM5MU



## Type Selection

Housing W x H x D	Range S <sub>n</sub>	Connection	Ordering no. NPN Make or break switching	Ordering no. PNP Make or break switching
10 x 30 x 20 mm	6 m	Cable	PD 30 CNP 06 NPMU	PD 30 CNP 06 PPMU
10 x 30 x 20 mm	6 m	Plug	PD 30 CNP 06 NPM5MU	PD 30 CNP 06 PPM5MU

**Note:** Reflectors to be ordered separately

## Specifications

<b>Rated operating distance (S<sub>n</sub>)</b>	Up to 6 m, with reflector Ø 80 mm (ER4) 4 m on ER4060 reflector	<b>Light type</b>	Red, modulated
<b>Blind zone</b>	100 mm	<b>Sensing angle</b>	± 2°
<b>Sensitivity</b>	Adjustable by Teach-In	<b>Ambient light</b>	10,000 lux
<b>Temperature drift</b>	≤ 0.1%/°C	<b>Light spot</b>	110 mm @ 1.5 m
<b>Hysteresis (H) (differential travel)</b>	≤ 10%	<b>Operating frequency</b>	1000 Hz
<b>Rated operational volt. (U<sub>B</sub>)</b>	10 to 30 VDC (ripple included)	<b>Response time</b>	
<b>Ripple (U<sub>rpp</sub>)</b>	≤ 10%	OFF-ON (t <sub>ON</sub> )	≤ 0.5 ms
<b>Output current</b>		ON-OFF (t <sub>OFF</sub> )	≤ 0.5 ms
Continuous (I <sub>a</sub> )	≤ 100 mA	<b>Power ON delay (t<sub>v</sub>)</b>	≤ 300 ms
Short-time (I)	≤ 100 mA (max. load capacity 100 nF)	<b>Output function</b>	
<b>No load supply current (I<sub>o</sub>)</b>	≤ 30 mA @ 24 VDC	NPN and PNP	Preset
<b>Minimum operational current (I<sub>m</sub>)</b>	0.5 mA	NO/NC switching function	Set up by button
<b>OFF-state current (I<sub>r</sub>)</b>	≤ 100 µA	<b>Mute function</b>	
<b>Voltage drop (U<sub>d</sub>)</b>	≤ 2.4 VDC @ 100 mA	Emitter off	0 to 3 sec
<b>Protection</b>	Short-circuit, reverse polarity and transients	Emitter ½ power	> 3 sec
<b>Light source</b>	GaAIAs, LED, 660 nm	Operating mode	0 to 2.5 VDC (NPN) 5 to 30 VDC (PNP) 0 to 2.5 VDC (NPN) 5 to 30 VDC (PNP) Not connected
		<b>Indication</b>	
		Output ON	LED, yellow
		Signal stability ON and power ON	LED, green
		<b>Environment</b>	
		Installation category	III (IEC 60664/60664A; 60947-1)

Specifications are subject to change without notice (16.09.2014)

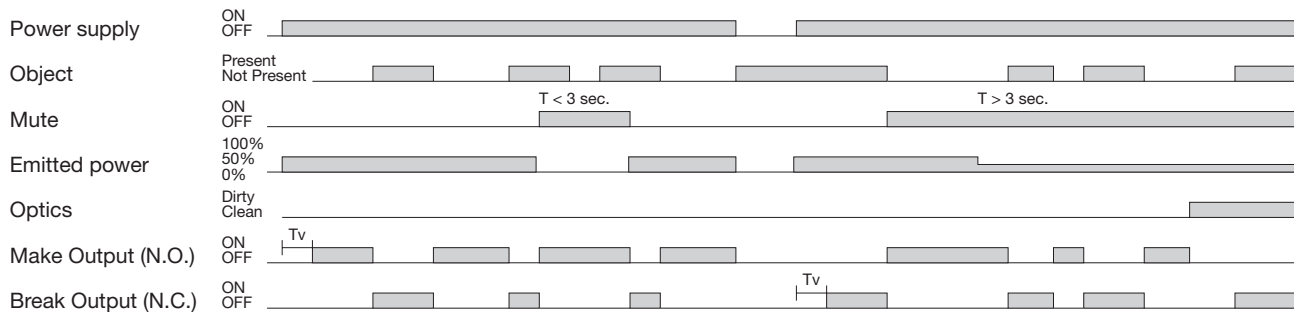


## Specifications (cont.)

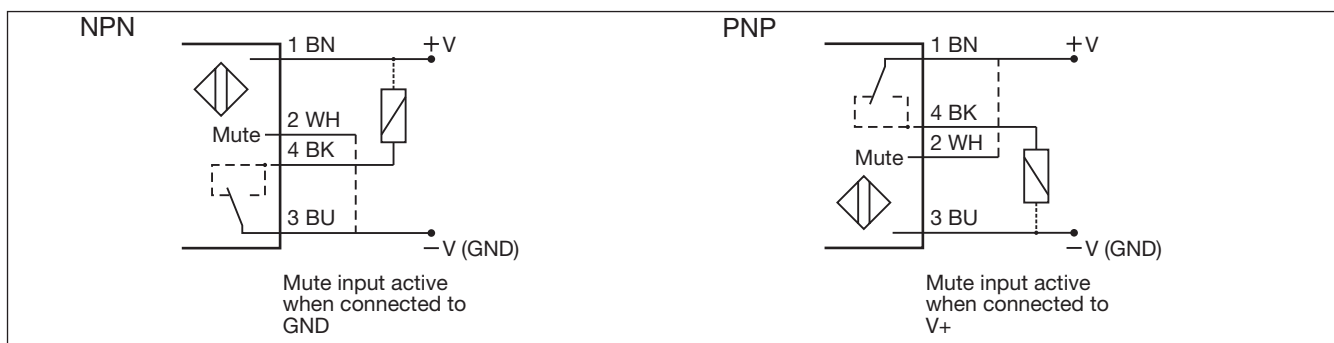
Pollution degree	3 (IEC 60664/60664A; 60947-1)	<b>Housing material</b>	ABS
Degree of protection	IP 67 (IEC 60529; 60947-1)	Body	PMMA, red
<b>Ambient temperature</b>		Front material	
Operating	-25° to +55°C (-13° to +131°F)	<b>Connection</b>	
Storage	-40° to +70°C (-40° to +158°F)	Cable	PVC, black, 2 m 4 x 0.14 mm <sup>2</sup> , Ø = 3.3 mm M8, 4-pin (CON, 54-series)
<b>Vibration</b>	10 to 55 Hz, 0.5 mm/7.5 g (IEC 60068-2-6)	Plug	
<b>Shock</b>	30 g / 11ms, 3 pos, 3 neg per axis (IEC 60068-2-6, 60068-2-32)	<b>Weight</b>	With cable: 40 g With plug: 10 g
<b>Rated insulation voltage</b>	500 VAC (rms)	<b>CE-marking</b>	Yes
		<b>Approvals</b>	cULus (UL508)

## Operation Diagram

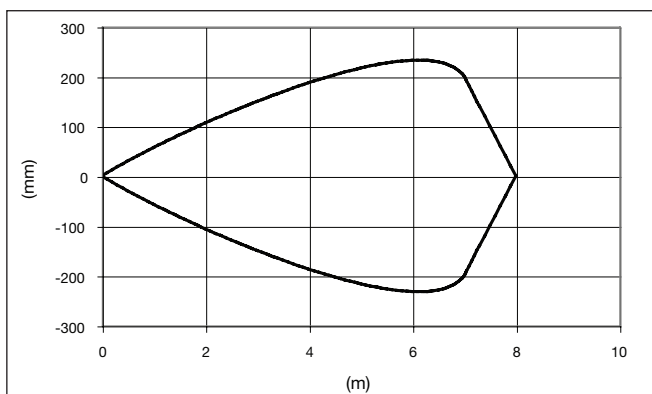
tv = Power ON delay



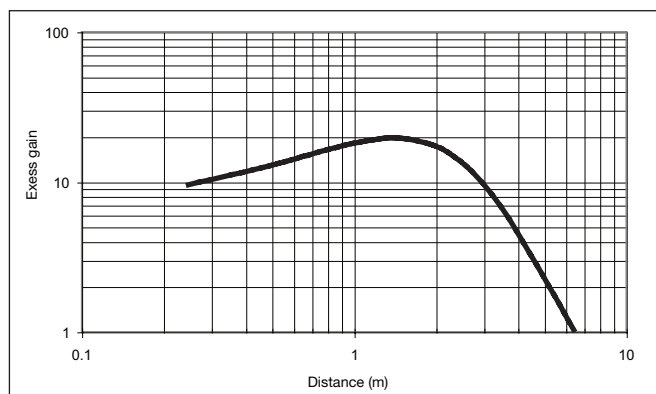
## Wiring Diagrams



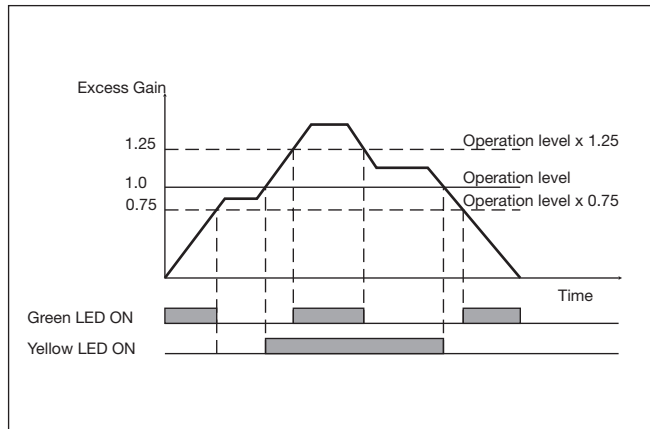
## Detection Diagram



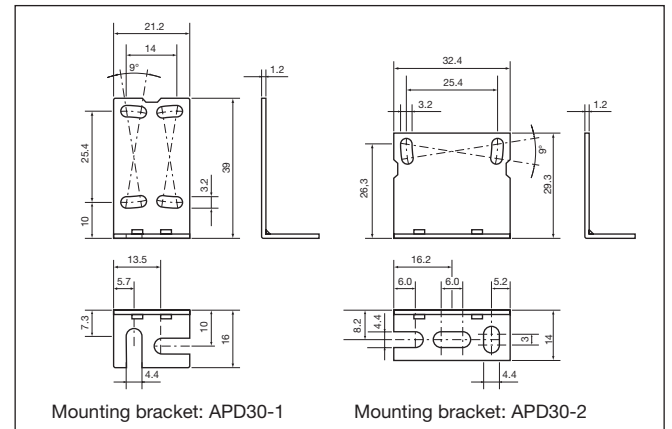
## Excess Gain



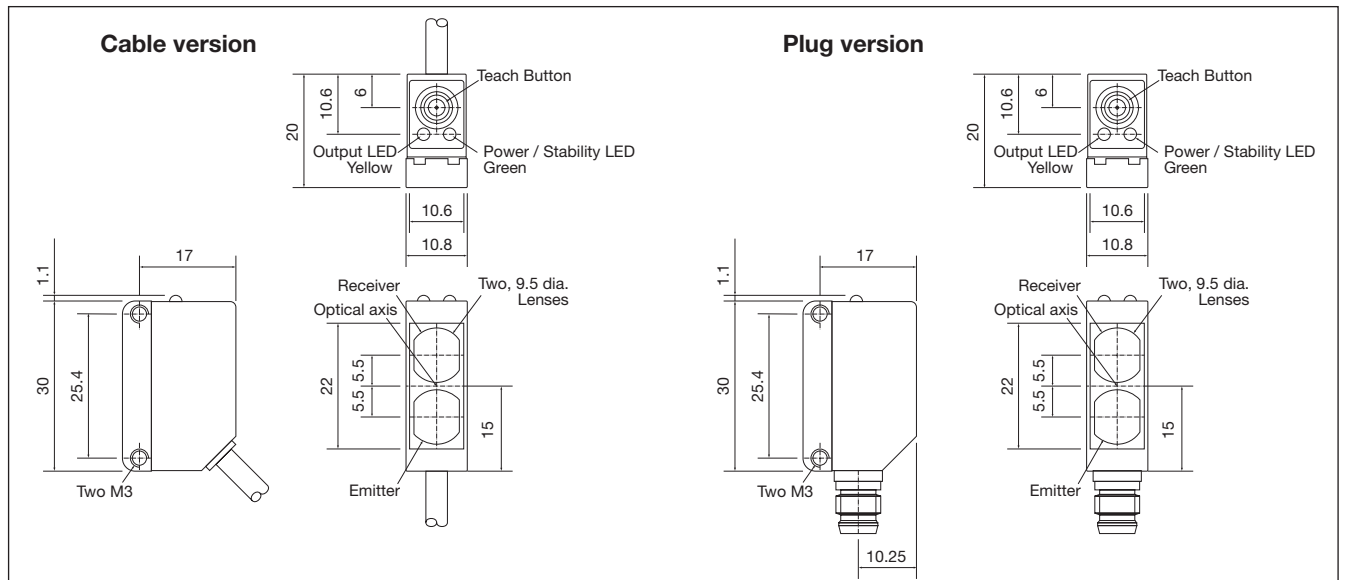
## Signal Stability Indication



## Accessories



## Dimensions



## Installation Hints

<p>To avoid interference from inductive voltage / current peaks, separate the proximity switch cables from any other power cables. E.g. Engine, contactor or solenoid cables</p>	<p>Relief of the cable strain</p> <p>The cable should not be pulled</p>	<p>Protection of the sensing face</p> <p>A proximity switch should not serve as mechanical stop</p>	<p>Sensor mounted on a mobile carrier</p> <p>Any repetitive flexing of the cable should be avoided</p>
--	---	---	--

## Delivery Contents

- Photoelectric switch: PD 30 CNP 06 ...
- Installation instruction
- Mounting bracket APD30-MB1
- **Packaging:** Cardboard box

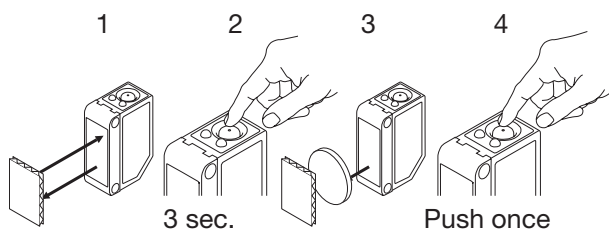
## Accessories

- Reflector to be purchased separately
- Mounting bracket APD30-MB2 to be purchased separately

## Teach functions

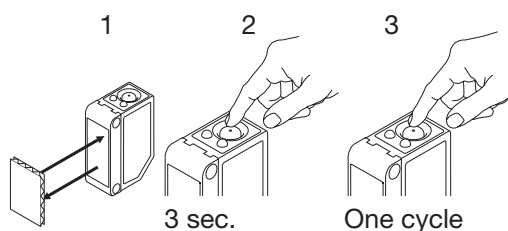
### Normal operation, optimized switching point.

1. Line up the sensor with the reflector. Yellow LED and Green LED are ON.
2. Press the button for 3 seconds until both LEDs flashes simultaneously.  
(The first switch point is stored)
3. Place the object between the sensor and reflector in the detection zone.
4. Press the button once and the sensor is ready to operate (Green LED ON, Yellow LED ON)  
(The second switch point is stored)



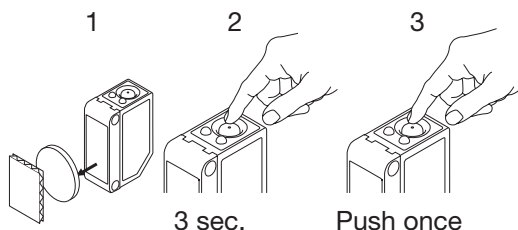
### For dynamic setup (running process)

1. Line up the sensor with the reflector. Green LED is ON, status on the yellow LED is not important.
2. Press the button for 3 second until both LEDs flashes simultaneously.
3. Press the button a second time for at least one second, both LED's flashes fast siultainiously and keep the button pressed for at least one process cycle, release the button and the sensor is ready to operate (The second switch point is stored)



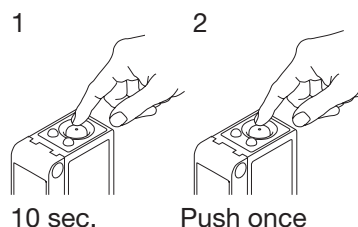
### For maximum sensing distance (default setting)

1. Line up the sensor with the reflector, place the object between the sensor and reflector in the detection zone. Yellow LED is OFF and Green LED is ON.
2. Press the button for 3 seconds until both LEDs flashes simultaneously.  
(The first switch point is stored)
3. Press the button a second time and the sensor is ready to operate (Green LED ON, Yellow LED ON)  
(The second switch point is stored)



### For make or break setup (N.O. or N.C.)

1. Press the button for 10 seconds, until the green LEDs flashes.
2. While the green LED flashes, the output is inverted each time the button is pressed. Yellow LED indicates N.O. function selected.  
If the button is not pressed within the next 10 seconds, the current output is stored.



### For minimum sensing distance

1. Line up the sensor with the reflector. Yellow LED and Green LED are ON.
2. Press the button for 3 seconds until both LEDs flashes simultaneously.  
(The first switch point is stored)
3. Press the button a second time and the sensor is ready to operate (Green LED ON, Yellow LED ON)  
(The second switch point is stored)

