



Chipsmall Limited consists of a professional team with an average of over 10 year of expertise in the distribution of electronic components. Based in Hongkong, we have already established firm and mutual-benefit business relationships with customers from,Europe,America and south Asia,supplying obsolete and hard-to-find components to meet their specific needs.

With the principle of “Quality Parts,Customers Priority,Honest Operation,and Considerate Service”,our business mainly focus on the distribution of electronic components. Line cards we deal with include Microchip,ALPS,ROHM,Xilinx,Pulse,ON,Everlight and Freescale. Main products comprise IC,Modules,Potentiometer,IC Socket,Relay,Connector.Our parts cover such applications as commercial,industrial, and automotives areas.

We are looking forward to setting up business relationship with you and hope to provide you with the best service and solution. Let us make a better world for our industry!



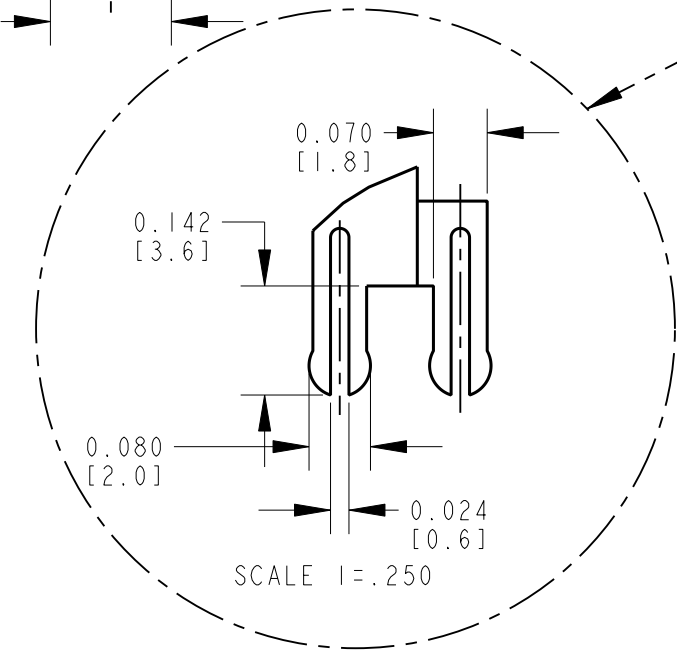
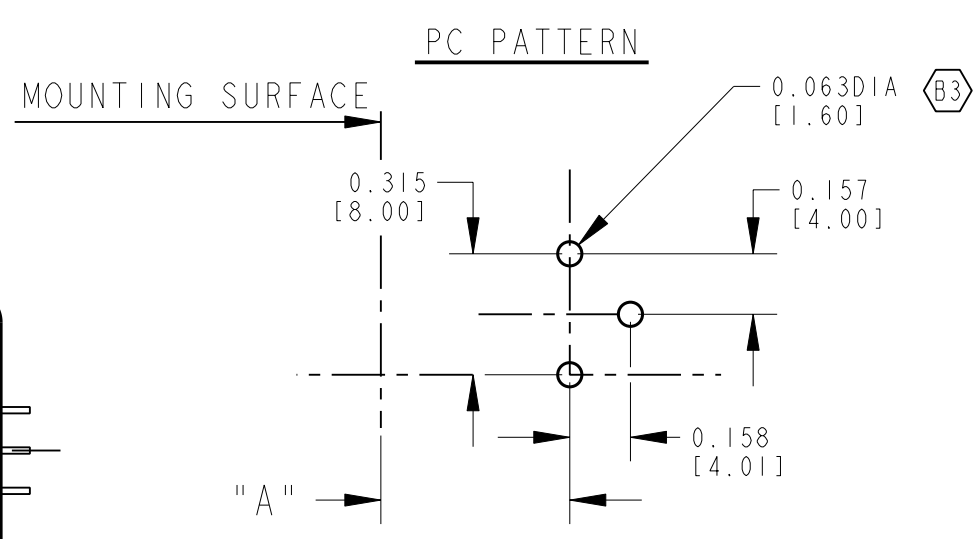
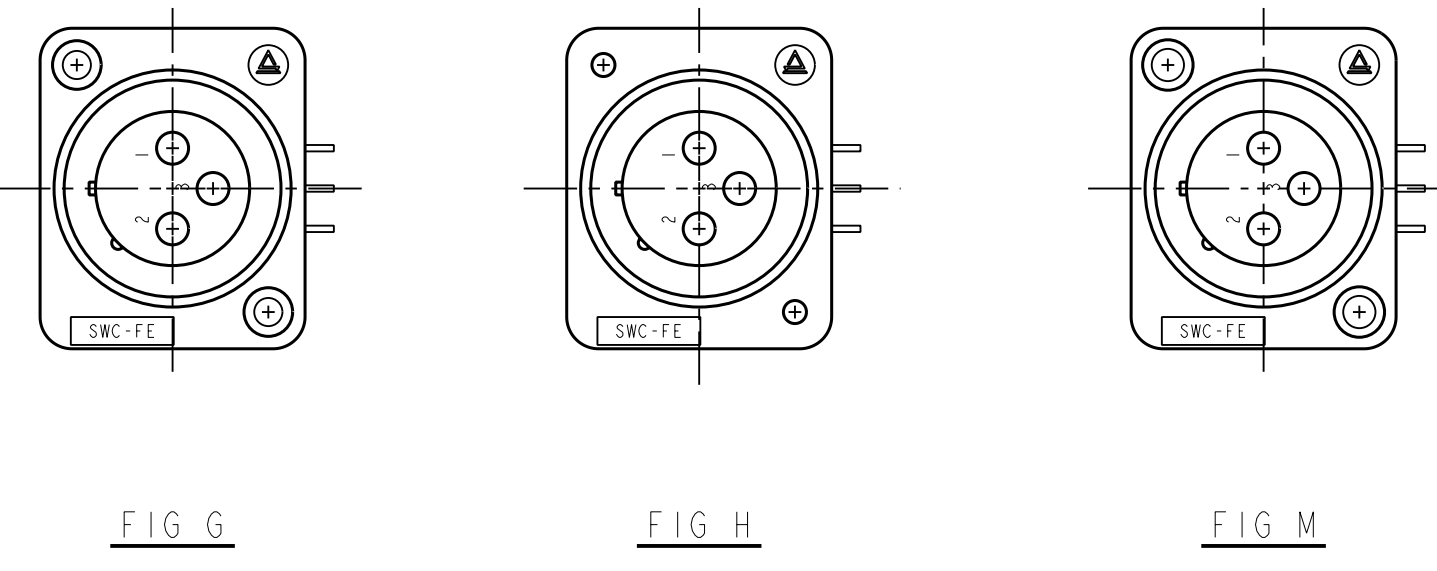
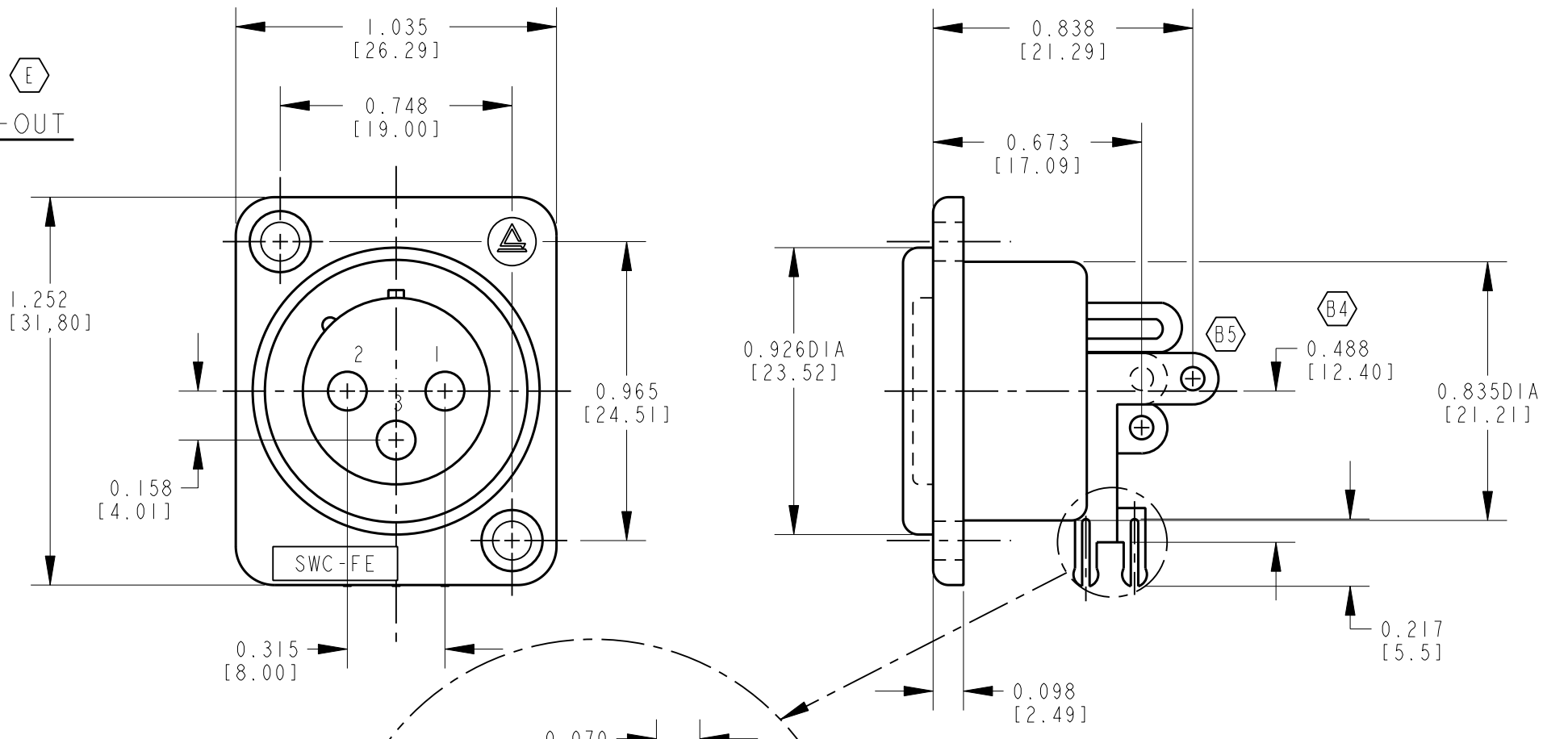
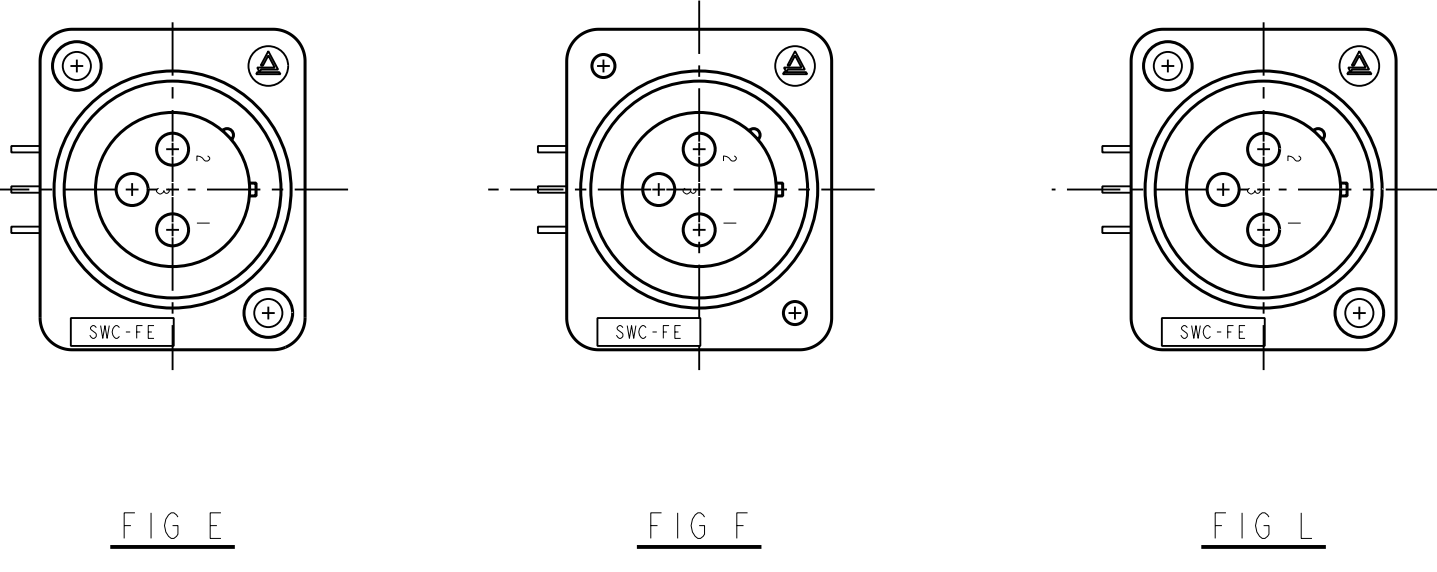
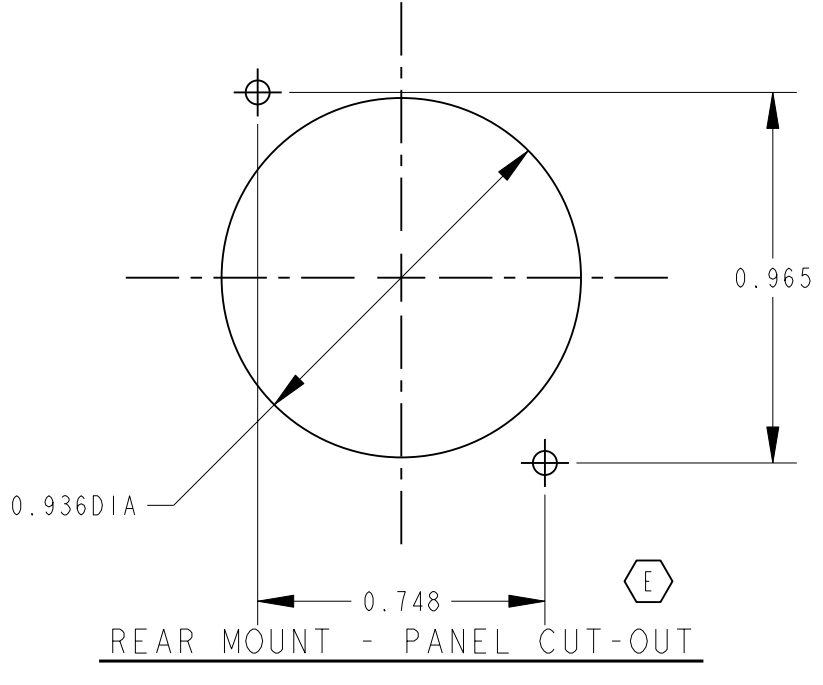
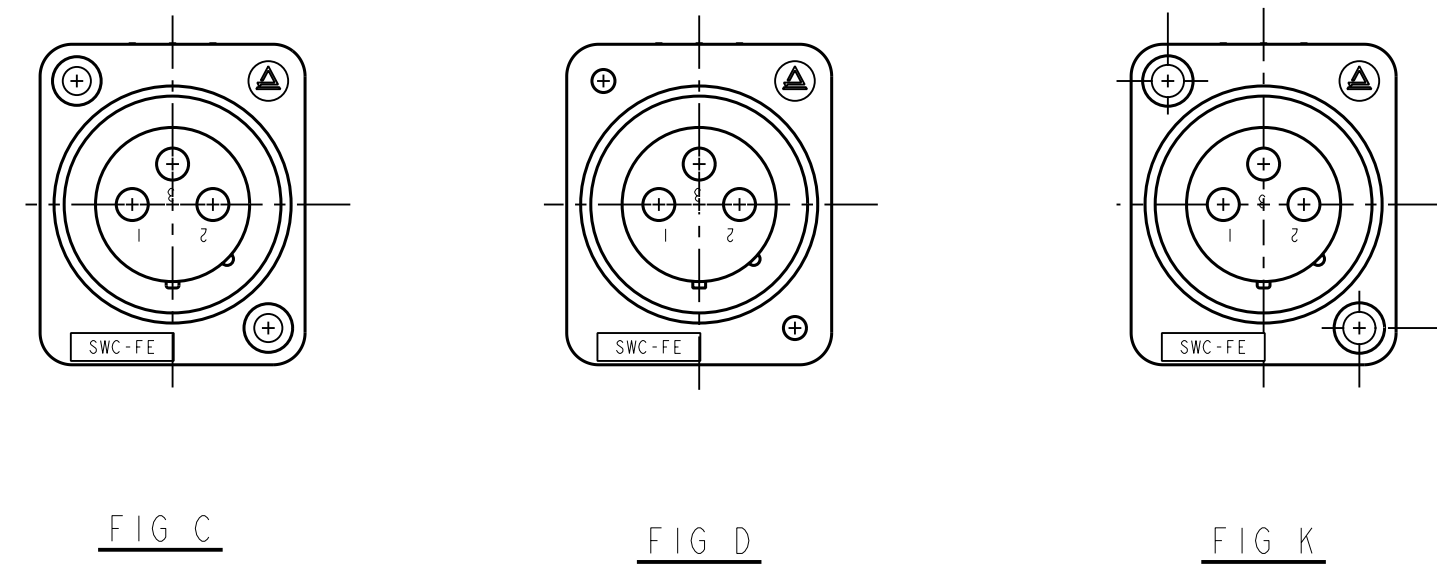
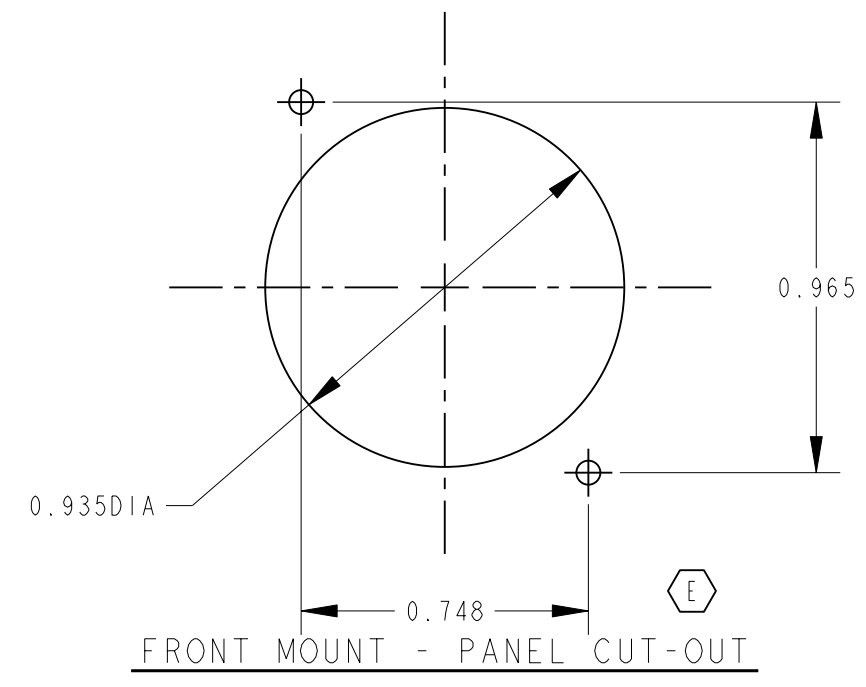
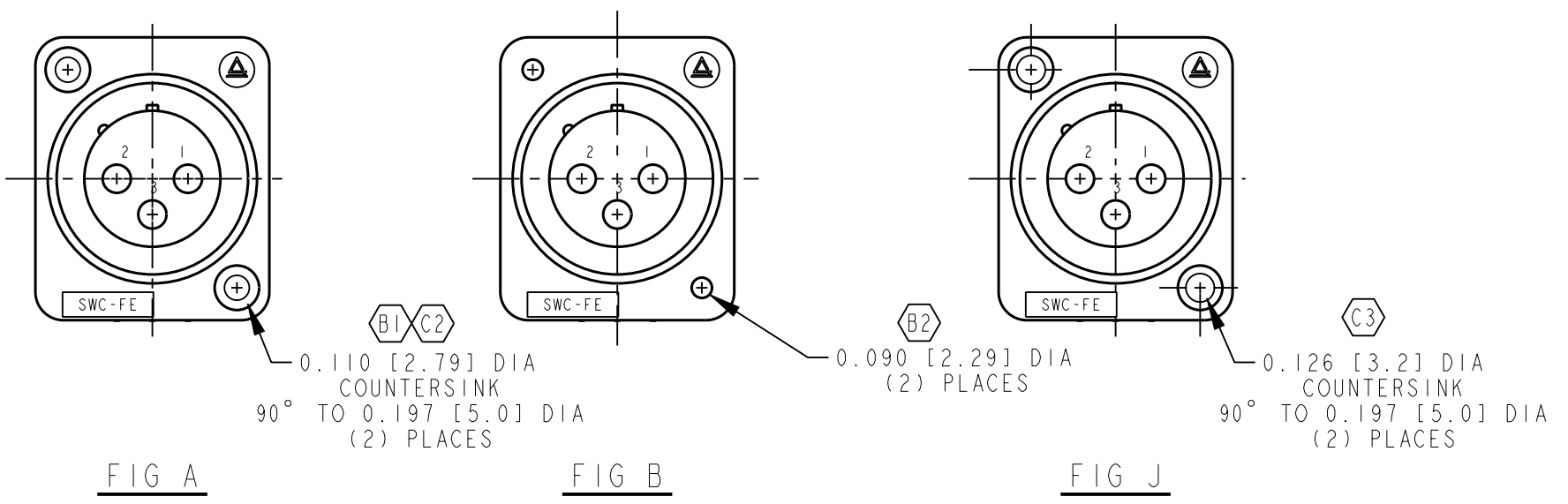
## Contact us

Tel: +86-755-8981 8866 Fax: +86-755-8427 6832

Email & Skype: info@chipsmall.com Web: www.chipsmall.com

Address: A1208, Overseas Decoration Building, #122 Zhenhua RD., Futian, Shenzhen, China





**D MATERIALS:**  
 HOUSING: NYLON TYPE 66  
 FEMALE PINS: BRASS, TIN PLATED  
 GROUND LUG: STEEL, TIN PLATED

DIMENSIONS TYP FOR ALL FIGURES

CHART				
PART NUMBER	DESCRIPTION	FIGURE	DIMENSION "A"	PART REVISION
PD3FRA1	FRONT MOUNT BOTTOM EXIT	FIGURE A	0.394	C
PD3FRA2	REAR MOUNT BOTTOM EXIT	FIGURE B	0.492	C
PD3FRA3	FRONT MOUNT BOTTOM EXIT	FIGURE J	0.394	A
PD3FRU1	FRONT MOUNT TOP EXIT	FIGURE C	0.394	C
PD3FRU2	REAR MOUNT TOP EXIT	FIGURE D	0.492	C
PD3FRU3	FRONT MOUNT TOP EXIT	FIGURE K	0.394	A
PD3FRL1	FRONT MOUNT LEFT EXIT	FIGURE E	0.394	C
PD3FRL2	REAR MOUNT LEFT EXIT	FIGURE F	0.492	C
PD3FRL3	FRONT MOUNT LEFT EXIT	FIGURE L	0.394	A
PD3FRR1	FRONT MOUNT RIGHT EXIT	FIGURE G	0.394	C
PD3FRR2	REAR MOUNT RIGHT EXIT	FIGURE H	0.492	C
PD3FRR3	FRONT MOUNT RIGHT EXIT	FIGURE M	0.394	A

SCALE: 1 = .750

UNLESS OTHERWISE SPECIFIED				SIZE	WIDTH	MULT	LBS./M	TEMPER
E	ECO #19433	12-5-94	ES	GHJ				
D	ECO#17911	10-27-92	LR	GHJ				
C	ECO#17107	9-30-91	LR	EHF				
B	ECO#16801	5-3-91	SG	GHJ				
A	RELEASED TO PROD	2-15-91	LR	GHJ				
ISSUE	CHANGE NO.	DATE	BY	APP'D				

STAR SYMBOL DENOTES CRITICAL DIMENSION. SEE S/C ENGINEERING STANDARD ES-0001.  
 THIS DRAWING DESCRIBES A DESIGN CONSIDERED PROPRIETARY IN NATURE, DEVELOPED AND MANUFACTURED BY SWITCHCRAFT INC. AND IS RELEASED ON A CONFIDENTIAL BASIS FOR IDENTIFICATION PURPOSE ONLY.

FINISH: TYPICAL  
 SPEC. NO.:  
 FIRST USED ON:  
 DATE DRAWN: 2-15-91  
 BY: LR  
 CHK'D: THS 2-25-91  
 APP'D: GHJ 2-25-91  
 NAME: FEMALE 3 CONTACTS RIGHT O.G. CONNENCTOR  
 PART NO.: PD3FR SERIES  
 ISSUE: E

REVISIONS: DO NOT SCALE DRAWING

CUSTOMER DRAWING  
 CAD/CAM DWG. NO. s.pd3fr\_cd  
 SHEET 1 OF 1