



Chipsmall Limited consists of a professional team with an average of over 10 year of expertise in the distribution of electronic components. Based in Hongkong, we have already established firm and mutual-benefit business relationships with customers from,Europe,America and south Asia,supplying obsolete and hard-to-find components to meet their specific needs.

With the principle of “Quality Parts,Customers Priority,Honest Operation,and Considerate Service”,our business mainly focus on the distribution of electronic components. Line cards we deal with include Microchip,ALPS,ROHM,Xilinx,Pulse,ON,Everlight and Freescale. Main products comprise IC,Modules,Potentiometer,IC Socket,Relay,Connector.Our parts cover such applications as commercial,industrial, and automotives areas.

We are looking forward to setting up business relationship with you and hope to provide you with the best service and solution. Let us make a better world for our industry!



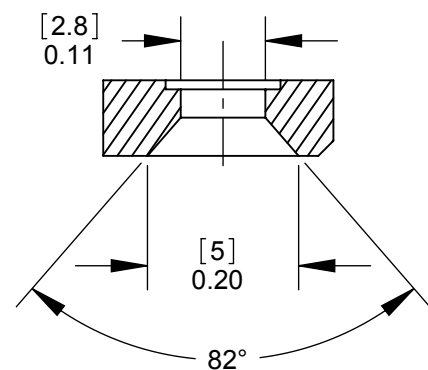
## Contact us

Tel: +86-755-8981 8866 Fax: +86-755-8427 6832

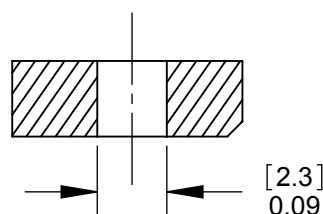
Email & Skype: info@chipsmall.com Web: www.chipsmall.com

Address: A1208, Overseas Decoration Building, #122 Zhenhua RD., Futian, Shenzhen, China

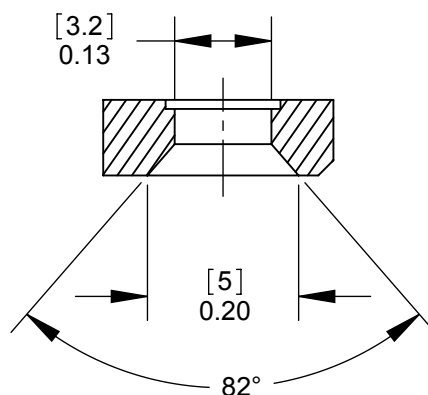




**PD3FSC1  
FRONT MOUNT**  
SECTION A-A  
SCALE 4 : 1



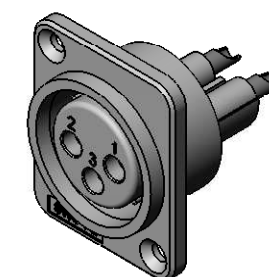
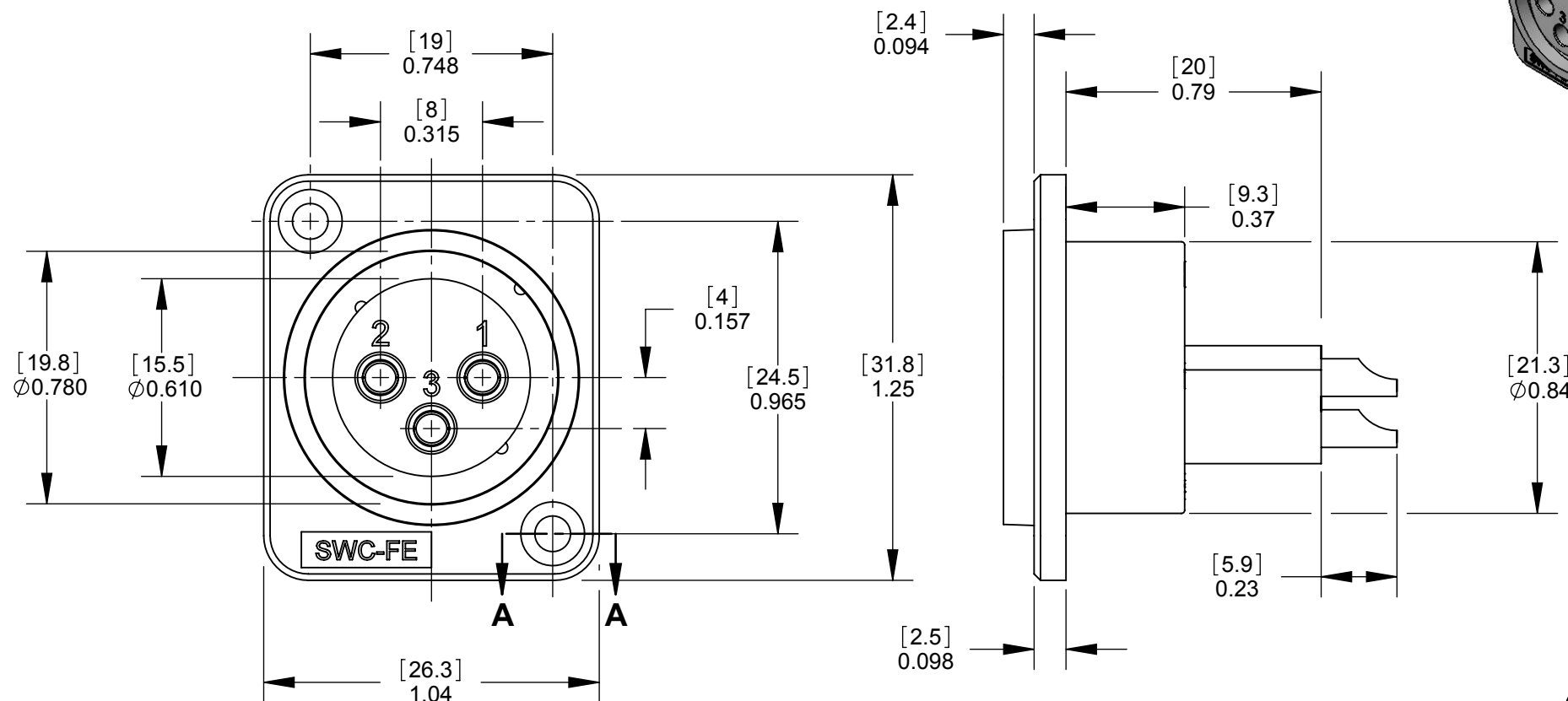
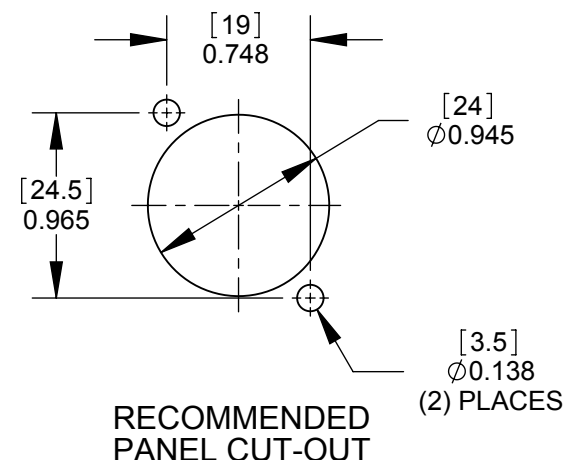
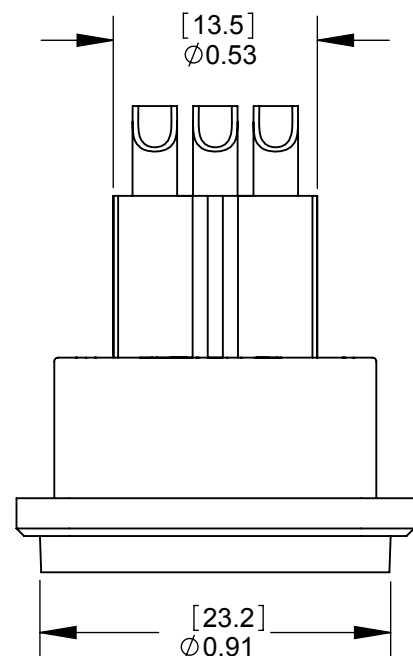
**PD3FSC2  
REAR MOUNT**  
SECTION A-A  
SCALE 4 : 1



**PD3FSC3  
FRONT MOUNT**  
SECTION A-A  
SCALE 4 : 1

NOTES:

- MATERIALS:  
HOUSING - THERMOPLASTIC, BLACK  
PINS - COPPER ALLOY (SEE TABLE FOR FINISH)
- THESE PRODUCTS ARE RoHS COMPLIANT.



PART NUMBER	MOUNTING STYLE SEE SECTION A-A	TERMINAL PLATING
PD3FSC1	FRONT MOUNT	SILVER
PD3FSC2	REAR MOUNT	SILVER
PD3FSC3	FRONT MOUNT	SILVER
PD3FSC1AU	FRONT MOUNT	GOLD
PD3FSC2AU	REAR MOUNT	GOLD
PD3FSC3AU	FRONT MOUNT	GOLD

**CUSTOMER DRAWING**

REV	ECO NUMBER	DATE	BY	APVD
A	22118	1/14/98	RS	TJK
REVISIONS				

UNLESS OTHERWISE SPECIFIED  
1. ALL DIMENSIONS IN INCHES  
- TWO PLACE DECIMALS ±0.02  
- THREE PLACE DECIMALS ±0.005

**DO NOT SCALE DRAWING**

THIS DRAWING DESCRIBES A DESIGN CONSIDERED PROPRIETARY IN NATURE, DEVELOPED AND MANUFACTURED BY SWITCHCRAFT INC. AND IS RELEASED ON A CONFIDENTIAL BASIS FOR IDENTIFICATION PURPOSES ONLY.									
SIZE		WIDTH		MULT		LBS/M		TEMPER	
FINISH SPEC No.						MATERIAL SPEC No.			
FIRST USED ON				SCALE 2:1		<b>Switchcraft</b> <sup>®</sup>			
DATE DRAWN	BY	CHKD	APVD						
4/27/10	RS	RS	TJK			SHEET 1 OF 1			
NAME PLASTIC PANEL MOUNT QG CONNECTORS, SOLDERCUP, RoHS						PART No. PD3FSC SERIES		REV <b>A</b>	