



Chipsmall Limited consists of a professional team with an average of over 10 year of expertise in the distribution of electronic components. Based in Hongkong, we have already established firm and mutual-benefit business relationships with customers from,Europe,America and south Asia,supplying obsolete and hard-to-find components to meet their specific needs.

With the principle of “Quality Parts,Customers Priority,Honest Operation,and Considerate Service”,our business mainly focus on the distribution of electronic components. Line cards we deal with include Microchip,ALPS,ROHM,Xilinx,Pulse,ON,Everlight and Freescale. Main products comprise IC,Modules,Potentiometer,IC Socket,Relay,Connector.Our parts cover such applications as commercial,industrial, and automotives areas.

We are looking forward to setting up business relationship with you and hope to provide you with the best service and solution. Let us make a better world for our industry!



Contact us

Tel: +86-755-8981 8866 Fax: +86-755-8427 6832

Email & Skype: info@chipsmall.com Web: www.chipsmall.com

Address: A1208, Overseas Decoration Building, #122 Zhenhua RD., Futian, Shenzhen, China



CHART				
PART NO.	DESCRIPTION	FIGURE	DIM. "A"	DIM. "B"
PD3MRML1	FRONT MOUNT	FIG A	.867	.600
PD3MRML2	REAR MOUNT	FIG B	.965	.600
PD3MRML3	FRONT MOUNT	FIG C	.867	.600
PD3MRMS1	FRONT MOUNT	FIG A	.867	.488
PD3MRMS2	REAR MOUNT	FIG B	.965	.488
PD3MRMS3	FRONT MOUNT	FIG C	.867	.488

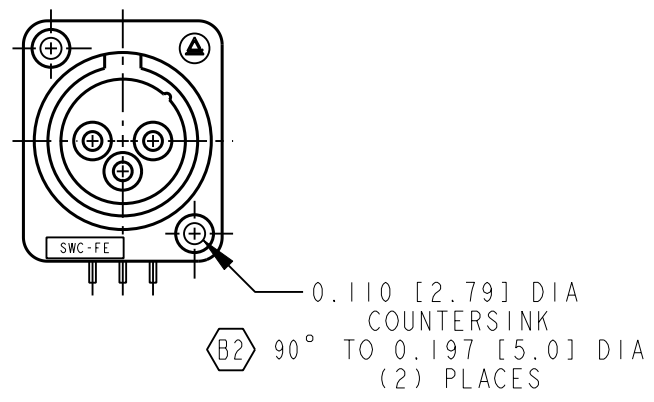


FIG A

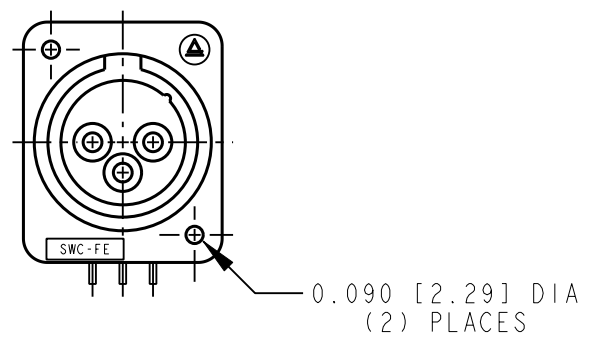


FIG B

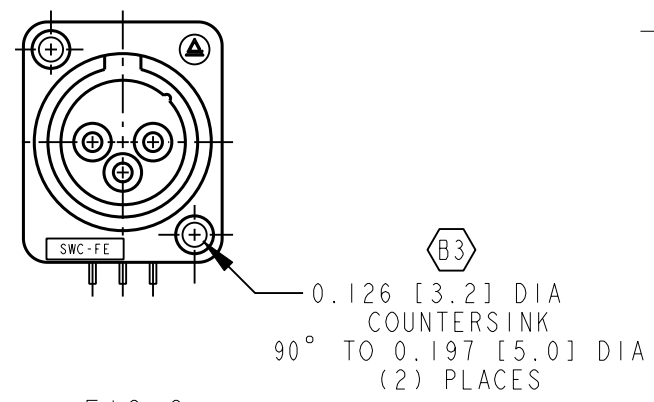
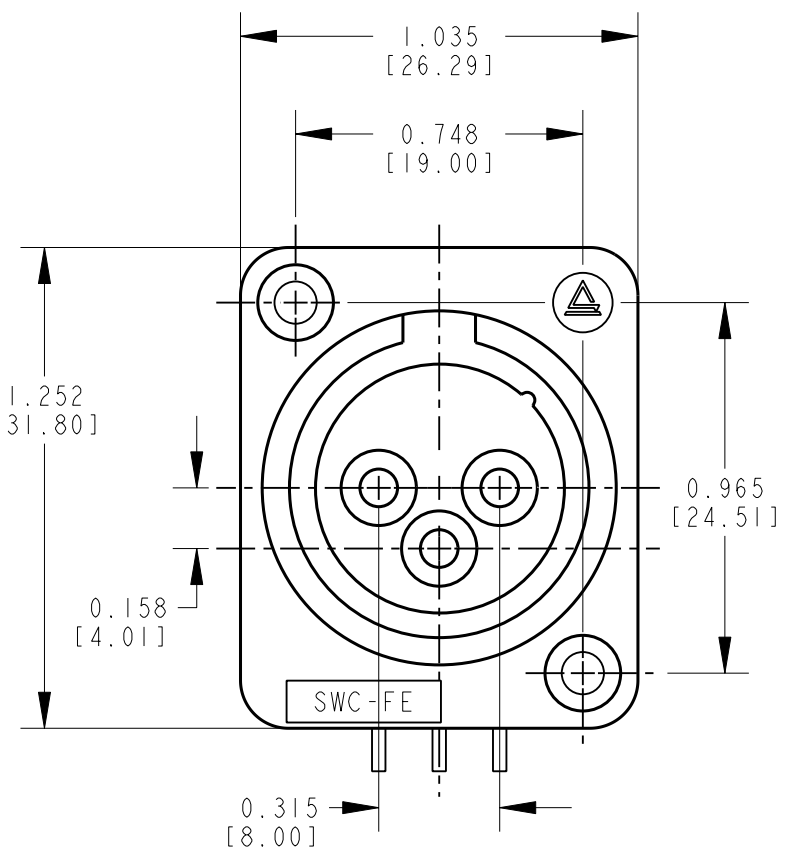
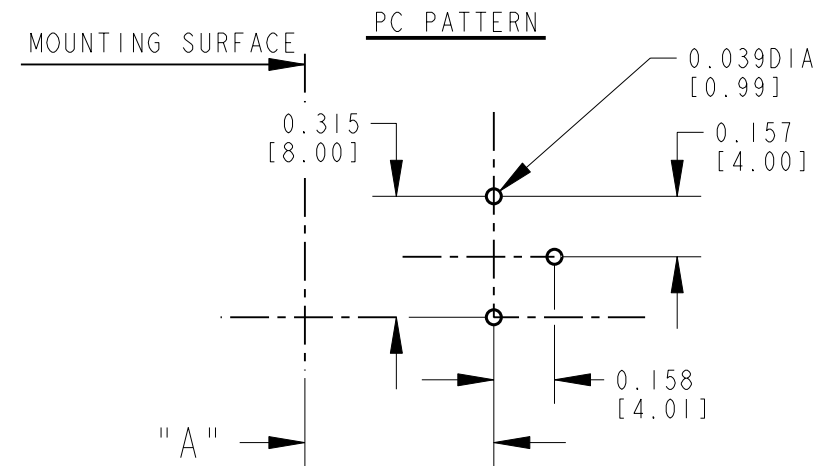
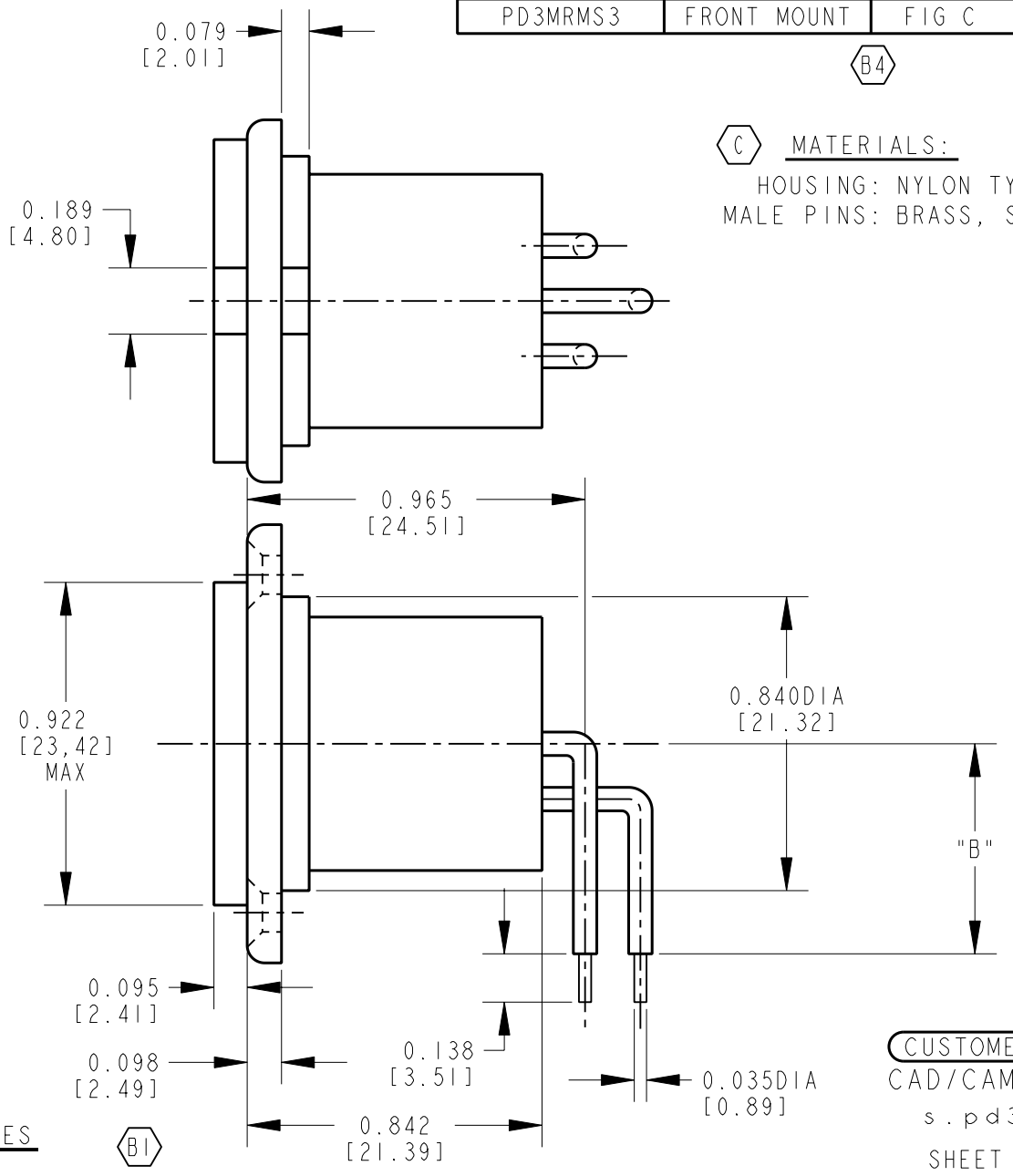


FIG C

SCALE: 1=1



DIMENSIONS TYP FOR ALL FIGURES



C MATERIALS:
 HOUSING: NYLON TYPE 66
 MALE PINS: BRASS, SILVER PLATED

CUSTOMER DRAWING
 CAD/CAM DWG. NO.
 s.pd3mrm_cd
 SHEET 1 OF 1

REV	CHANGE NO.	DATE	BY	APP'D
C	ECO#17911	10-27-92	LR	GHJ
B	ECO#17107	9-27-91	LR	EFJ
A	RELEASE TO PROD.	2-25-91	LR	GHJ
ISSUE	CHANGE NO.	DATE	BY	APP'D

★ STAR SYMBOL DENOTES CRITICAL DIMENSION, SEE S/C ENGINEERING STANDARD ES-0001

UNLESS OTHERWISE SPECIFIED

1. ALL DIMENSIONS IN INCHES
 2. DECIMAL DIMENSIONS ±.005
 3. FRACTIONAL DIMENSIONS ±.005
 4. ANGLES ±1/2°
 5. ALL DIA'S CONCENTRIC WITHIN .005 T.I.R.
 6. REMOVE ALL BURRS
 7. MAKE NO DIMENSIONAL ALLOWANCES FOR APPLIED FINISHES, I.E., PLATING, PAINTING, ETC.
 8. HOLES ON THE SAME CENTERLINE MUST BE ALIGNED WITHIN ±.002

DO NOT SCALE DRAWING

FINISH		MATERIAL	
SPEC. NO.		SPEC. NO.	
FIRST USED ON		SCALE	
DATE DRAWN		BY	CHK'D
2-25-91	LR	THS	3-25-91
APP'D		ISSUE	
GHJ		C	
NAME			PART NO.
MALE 3 CONTACTS RIGHT ANGLE OG CONNECTOR			PD3MRM SERIES

