



Chipsmall Limited consists of a professional team with an average of over 10 year of expertise in the distribution of electronic components. Based in Hongkong, we have already established firm and mutual-benefit business relationships with customers from,Europe,America and south Asia,supplying obsolete and hard-to-find components to meet their specific needs.

With the principle of “Quality Parts,Customers Priority,Honest Operation,and Considerate Service”,our business mainly focus on the distribution of electronic components. Line cards we deal with include Microchip,ALPS,ROHM,Xilinx,Pulse,ON,Everlight and Freescale. Main products comprise IC,Modules,Potentiometer,IC Socket,Relay,Connector.Our parts cover such applications as commercial,industrial, and automotives areas.

We are looking forward to setting up business relationship with you and hope to provide you with the best service and solution. Let us make a better world for our industry!



Contact us

Tel: +86-755-8981 8866 Fax: +86-755-8427 6832

Email & Skype: info@chipsmall.com Web: www.chipsmall.com

Address: A1208, Overseas Decoration Building, #122 Zhenhua RD., Futian, Shenzhen, China





3-Pole Surge Protector for LED Drivers Surge Protectors for LED Drivers with Universal AC Input



Features

- Compliant with UL 1449 3rd Edition
- IP67 Waterproof – Fully Potted*P Version
- Surge Current Rating 10,000A
- Compliant with IEEE62.41.2
- Wide Operating Temperature range (-40C-80C)
- Surge Voltage to 6KV

Applications

- LED Drivers

Safety Approvals (Preliminary)

- UL
- CE

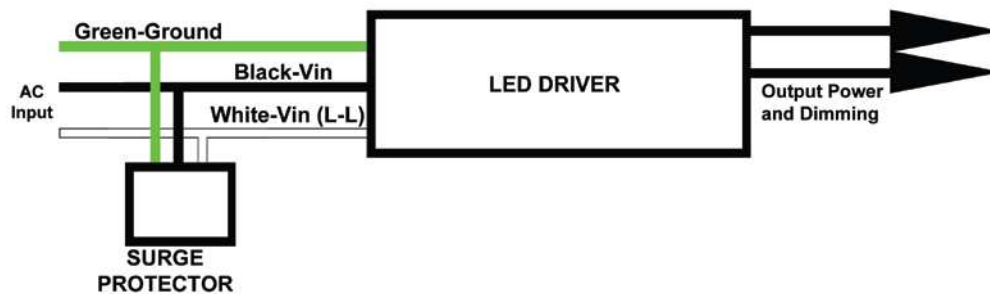
Mechanical Characteristics

- Length: 90.2mm (3.6in)
- Width: 43mm (1.7in)
- Height: 31mm (1.2in)
- Weight: 212.6g (7.5oz)

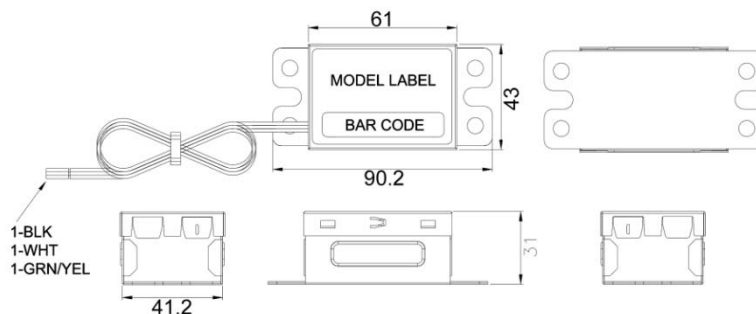
Output Specifications

Product Name	Input Voltage	Input Current	Max Clamping Voltage	Max Surge Current	Surge Rating
PDA-SURGE	90-305VAC	8A	845V	13000A	445 Joules
PDA-SURGE-P	90-305VAC	8A	845V	13000A	445 Joules

Wiring Diagram



Dimension Diagram



Wire Connections

Position	Length	Gauge
Line – Black	600mm	AWG22
Neutral – White	600mm	AWG22
Ground - Green	600mm	AWG22