



Chipsmall Limited consists of a professional team with an average of over 10 year of expertise in the distribution of electronic components. Based in Hongkong, we have already established firm and mutual-benefit business relationships with customers from,Europe,America and south Asia,supplying obsolete and hard-to-find components to meet their specific needs.

With the principle of “Quality Parts,Customers Priority,Honest Operation,and Considerate Service”,our business mainly focus on the distribution of electronic components. Line cards we deal with include Microchip,ALPS,ROHM,Xilinx,Pulse,ON,Everlight and Freescale. Main products comprise IC,Modules,Potentiometer,IC Socket,Relay,Connector.Our parts cover such applications as commercial,industrial, and automotives areas.

We are looking forward to setting up business relationship with you and hope to provide you with the best service and solution. Let us make a better world for our industry!



Contact us

Tel: +86-755-8981 8866 Fax: +86-755-8427 6832

Email & Skype: info@chipsmall.com Web: www.chipsmall.com

Address: A1208, Overseas Decoration Building, #122 Zhenhua RD., Futian, Shenzhen, China





**12W Adapter Style Constant Current LED Driver
PDA012A Wall Plug LED Power Supply**



Features

- Low Profile Design
- OVP, IOCP, Over-Load and Short-Circuit Protection
- Power Factor Correction
- Low Cost Fixed Wall Plug
- IP20 Rating
- SELV Compliant
- UL 8750 Compliant
- Very Low Leakage
- Class 2 Output

Applications

- Indoor Lighting
- Floor Lamps

Safety Approvals (PENDING)

- cUL/UL

Mechanical Characteristics

- Length: 71.5mm (2.81in)
- Width: 33.75mm (1.33in)
- Height: 46mm (1.81in)
- Weight: 85g (3.00oz)

Output Specifications

Model	DC Output Voltage			Output Current	Output Power
	Min.	Typ.	Max.		
PDA012A-350S-R	17V	-	34V	350mA	12W
PDA012A-700S-R	9V	-	17V	700mA	12W
PDA012A-1A0S-R	6V	-	12V	1000mA	12W
PDA012A-1A5S-R	6V	-	8V	1500mA	12W

Phihong is not responsible for any error, and reserves the right to make changes without notice. Please visit our website at www.phihong.com for the most up-to-date specifications and contact information.

INPUT:

AC Input Voltage
90 to 132VAC

Nominal AC Input Voltage
110 to 120VAC

Leakage Current
<0.25mA at 110VAC and maximum load

Maximum Input Current
≤500mA at full load, 120VAC

No-Load Power Draw
<300mW at 115VAC, 60Hz

OUTPUT:

Total Output Power
6W maximum

Efficiency
≥77% at nominal input voltage, full load
Meets requirements for Level V efficiency marking

Power Factor
≥0.9 at nominal input voltage, full load

ENVIRONMENTAL:

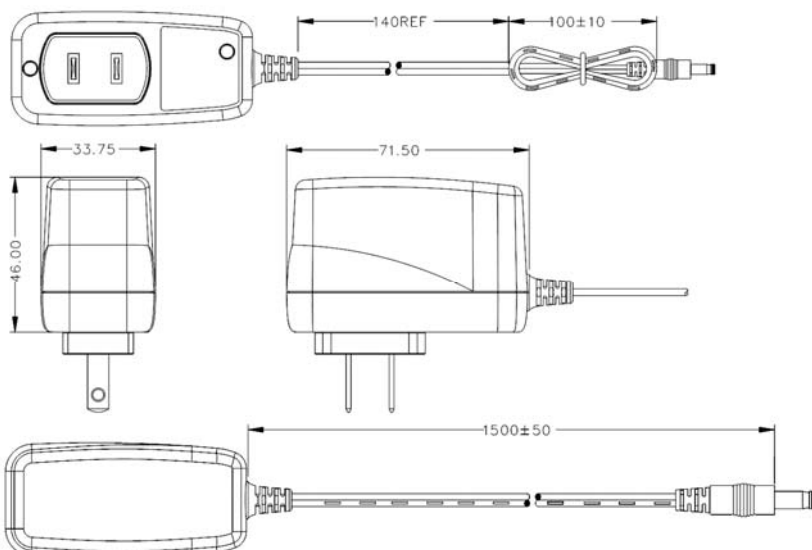
Operating Temperature 0 to +40°C
Storage Temperature -40 to +85°C

Operating Humidity 10 to 95%

Ingression Protection

IP20; plastic housing

Dimension Diagram Unit:mm



EMC

FCC Part 15 Class B

Immunity

EN61000-4-2
EN61000-4-4
EN61000-4-5
EN61000-4-11

Isolation Test

Primary to Secondary: 3000VAC, <10mA, 1 minute

Insulation Resistance

Primary to Secondary: 500VDC, >5M ohm, 1 minute

FEATURES:

Input Current Protection

The input power line will be fused with a 2A/250V time-lag fuse

Short Circuit

Auto restart without damage

Output Overvoltage Protection

Output should not exceed voltage limits, auto shut down

AC Input

Fixed Blade (North America)

DC Output

2.1mm x 5.5mm x 9.5mm center positive barrel

Lifespan

20K Hours minimum at max load