



Chipsmall Limited consists of a professional team with an average of over 10 year of expertise in the distribution of electronic components. Based in Hongkong, we have already established firm and mutual-benefit business relationships with customers from,Europe,America and south Asia,supplying obsolete and hard-to-find components to meet their specific needs.

With the principle of “Quality Parts,Customers Priority,Honest Operation,and Considerate Service”,our business mainly focus on the distribution of electronic components. Line cards we deal with include Microchip,ALPS,ROHM,Xilinx,Pulse,ON,Everlight and Freescale. Main products comprise IC,Modules,Potentiometer,IC Socket,Relay,Connector.Our parts cover such applications as commercial,industrial, and automotives areas.

We are looking forward to setting up business relationship with you and hope to provide you with the best service and solution. Let us make a better world for our industry!



## Contact us

Tel: +86-755-8981 8866 Fax: +86-755-8427 6832

Email & Skype: info@chipsmall.com Web: www.chipsmall.com

Address: A1208, Overseas Decoration Building, #122 Zhenhua RD., Futian, Shenzhen, China





## 15W Triac Dimmable Constant Current LED Driver PDA015N North American Residential LED Driver



### Features

- Class 2 per UL1310
- OVP, OCP, Over-Load and Short-Circuit Protection
- >0.9 Power Factor Correction
- 3 Year Warranty
- IP67 Rating
- THD <20%
- UL 8750 Compliant
- Works with Most leading edge and trailing edge dimmers

### Applications

- Down lights
- Area Lights
- Residential lighting

### Safety Approvals

- cUL/UL

### Mechanical Characteristics

- Length: 80mm (3.14in)
- Width: 78mm (3.07in)
- Height: 25.4mm (1in)
- Weight: 165g (5.82oz)

### Output Specifications

Model	DC Output Voltage			Output Current	Output Power
	Min.	Typ.	Max.		
PDA015N-350B-R	25.4V	-	42V	350mA	15W
PDA015N-700B-R	15.05V	-	21.5V	700mA	15W
PDA015N-1A0B-R	10.5V	-	15V	1000mA	15W

Phihong is not responsible for any error, and reserves the right to make changes without notice. Please visit our website at [www.phihong.com](http://www.phihong.com) for the most up-to-date specifications and contact information.

**INPUT:**

**AC Input Voltage Rating**  
108VAC to 132VAC

**AC Input Frequency**  
47~63Hz

**Maximum Input Current**  
≤ 0.3A

**Leakage Current**  
0.25mA maximum

**Power Factor**  
≥ 0.9

**THD**  
Less than 20%

**OUTPUT:**  
**Output Current Ripple**  
≤ 30%

**Efficiency**  
80% at 120VAC

**Environmental:**  
**Temperature**

Operation case	-00 to +85°C
Non-operation	-40 to +85°C
Operating Humidity	20 to 95%

**EMC**  
FCC Part 15 Class B

**Immunity**  
IEC61000-4-2  
IEC61000-4-4  
IEC61000-4-5  
IEC61000-4-11

**Dielectric Withstand (Hi-pot) Test**  
Primary to secondary: 1500VAC for 1 minute, 10mA

**Insulation Resistance**  
Primary to secondary: >10M Ohm 500VDC, 1 Minute

**FEATURES:**

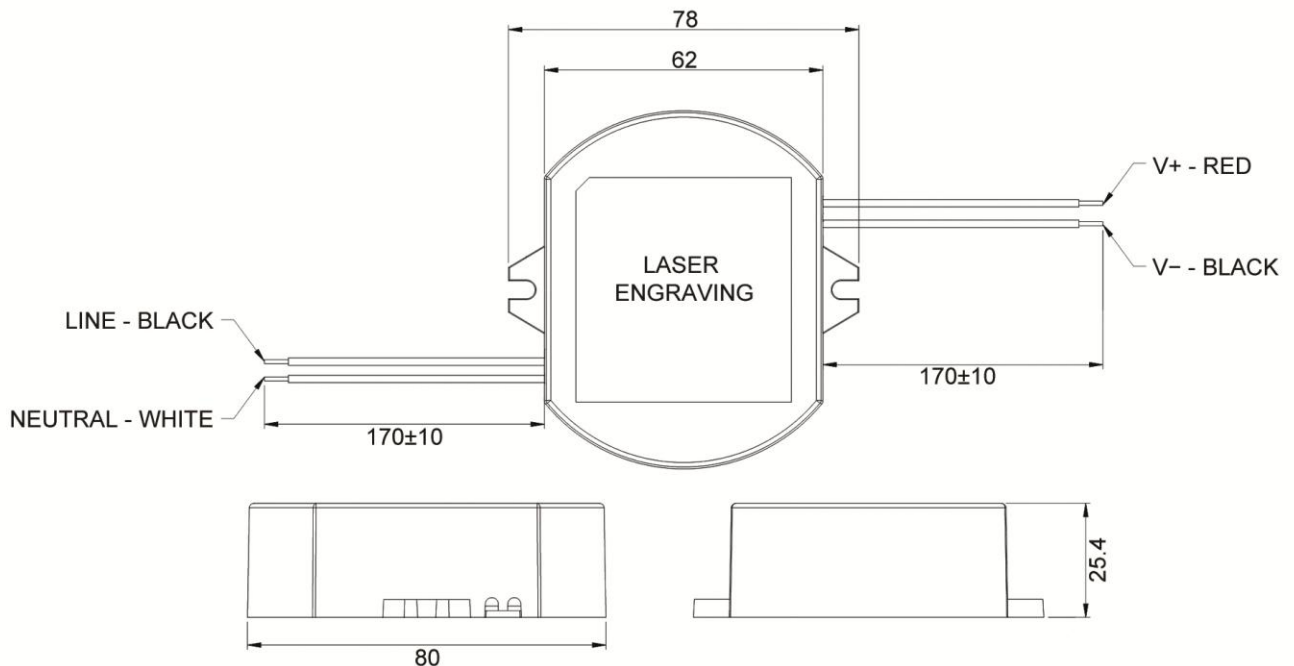
**Short-Circuit Protection**  
The PSU will withstand a short circuit across the outputs without damage

**Output Over-voltage Protection**  
Auto restart

**Input / Output Connections**

Position	Terminal Color	Specification
Input	Black	AWG18 Stranded Wire
	White	AWG18 Stranded Wire
Output	Red	AWG18 Stranded Wire
	Black	AWG18 Stranded Wire

**Warranty**  
3 Years



**Dimmer Compatibility List**

Make	Dimmer Name	Series
LEVITON	RP106	ROTARY
LEVITON	DVCL-153P	DIVA
LEVITON	6613-P	SURESLIDE
LEVITON	IPL06	ILLUMATECH
LUTRON	DV-600P	DIVA
LUTRON	DVLV-600P	DIVA
LUTRON	D-600P	DIVA
LUTRON	RRD-6D	RADIORA2
LUTRON	RRD-10ND	RADIORA2
LUTRON	DVELV-300P	DIVA
LUTRON	CTELV-303P	SKYLARK CONTOUR
LUTRON	GLV-600P	GLIDER
LUTRON	NT-1000	NOVA
LUTRON	SLV-600P	SKYLARK
LUTRON	RRD-6NA	RADIORA2
LUTRON	MA-600	MAESTRO
LUTRON	MALV-600	MAESTRO

The driver has been tested and is compatible with the above list of dimmers.