



Chipsmall Limited consists of a professional team with an average of over 10 year of expertise in the distribution of electronic components. Based in Hongkong, we have already established firm and mutual-benefit business relationships with customers from,Europe,America and south Asia,supplying obsolete and hard-to-find components to meet their specific needs.

With the principle of “Quality Parts,Customers Priority,Honest Operation,and Considerate Service”,our business mainly focus on the distribution of electronic components. Line cards we deal with include Microchip,ALPS,ROHM,Xilinx,Pulse,ON,Everlight and Freescale. Main products comprise IC,Modules,Potentiometer,IC Socket,Relay,Connector.Our parts cover such applications as commercial,industrial, and automotives areas.

We are looking forward to setting up business relationship with you and hope to provide you with the best service and solution. Let us make a better world for our industry!



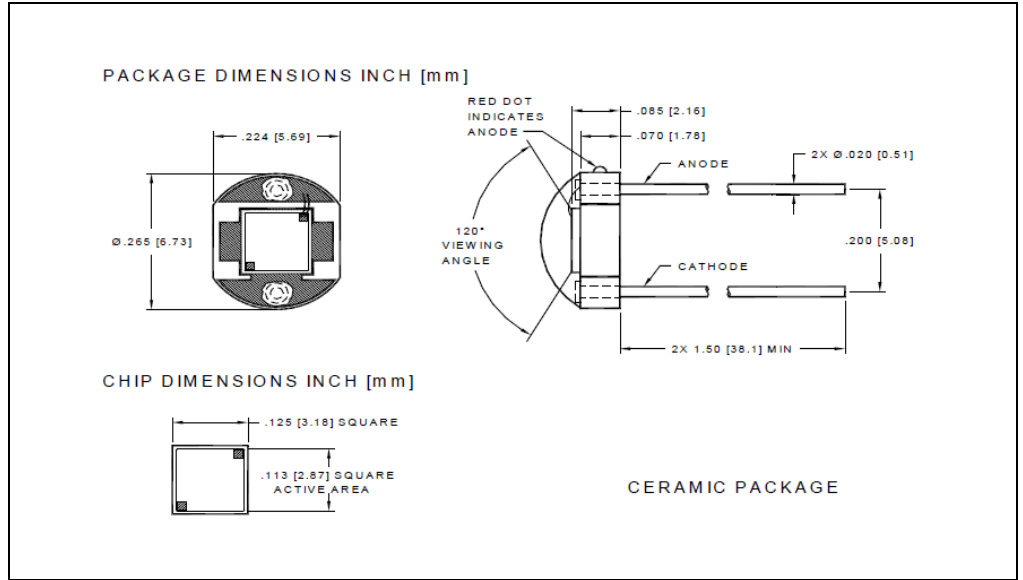
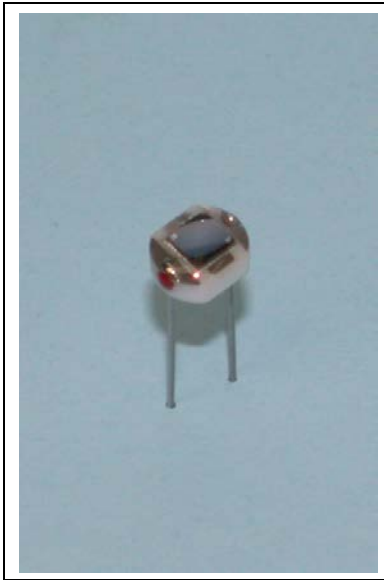
Contact us

Tel: +86-755-8981 8866 Fax: +86-755-8427 6832

Email & Skype: info@chipsmall.com Web: www.chipsmall.com

Address: A1208, Overseas Decoration Building, #122 Zhenhua RD., Futian, Shenzhen, China





DESCRIPTION

The **PDB-C113** is a blue enhanced PIN silicon photodiode in a photoconductive mode, packaged in a ceramic package.

FEATURES

- Low Noise
- Blue Enhanced
- High Shunt Resistance
- High Response



RELIABILITY

This Luna high-reliability device is in principle able to meet military test requirements (Mil-STD-750, Mil-STD-883) after proper screening and group test. Contact Luna Optoelectronics for recommendations on specific test conditions and procedures.

APPLICATIONS

- Instrumentation
- Industrial
- Medical

ABSOLUTE MAXIMUM RATINGS

T_a = 23°C NON CONDENSING 1/16 INCH FROM CASE FOR 3 SECONDS MAX

SYMBOL	MIN		MAX	UNITS	
Reverse Voltage	-	-	75	V	-
Operating Temperature	-40	to	+100	°C	-
Storage Temperature	-55	to	+90	°C	-
Soldering Temperature	-	-	+240	°C	-
Wavelength Range	300	to	1100	nm	

OPTO-ELECTRICAL PARAMETERS

T_a = 23°C UNLESS OTHERWISE NOTED

PARAMETER	TEST CONDITIONS	MIN	TYP	MAX	UNITS
Short Circuit Current	H=100 fc, 2850 K	90	110	-	μA
Dark Current	V _R = 10V	-	5	30	nA
Shunt Resistance	V _R = 10 mV	100	250	-	MΩ
Junction Capacitance	V _R = 10V, f = 1 MHz	-	60	-	pF
Spectral Application Range	Spot Scan	350	-	1100	nm
Responsivity	I = 450nm V, V _R = 0V	0.15	0.18	-	A/W
Breakdown Voltage	I = 10 μA	75	100	-	V
Noise Equivalent Power	V _R = 0V@ I = 950nm	-	9x10 ⁻¹⁴	-	W/√Hz
Response Time	RL = 50Ω, V _R = 0V	-	190	-	nS
	RL = 50Ω, V _R = 10V	-	13	-	

TYPICAL PERFORMANCE

SPECTRAL RESPONSE

