



Chipsmall Limited consists of a professional team with an average of over 10 year of expertise in the distribution of electronic components. Based in Hongkong, we have already established firm and mutual-benefit business relationships with customers from,Europe,America and south Asia,supplying obsolete and hard-to-find components to meet their specific needs.

With the principle of “Quality Parts,Customers Priority,Honest Operation,and Considerate Service”,our business mainly focus on the distribution of electronic components. Line cards we deal with include Microchip,ALPS,ROHM,Xilinx,Pulse,ON,Everlight and Freescale. Main products comprise IC,Modules,Potentiometer,IC Socket,Relay,Connector.Our parts cover such applications as commercial,industrial, and automotives areas.

We are looking forward to setting up business relationship with you and hope to provide you with the best service and solution. Let us make a better world for our industry!



Contact us

Tel: +86-755-8981 8866 Fax: +86-755-8427 6832

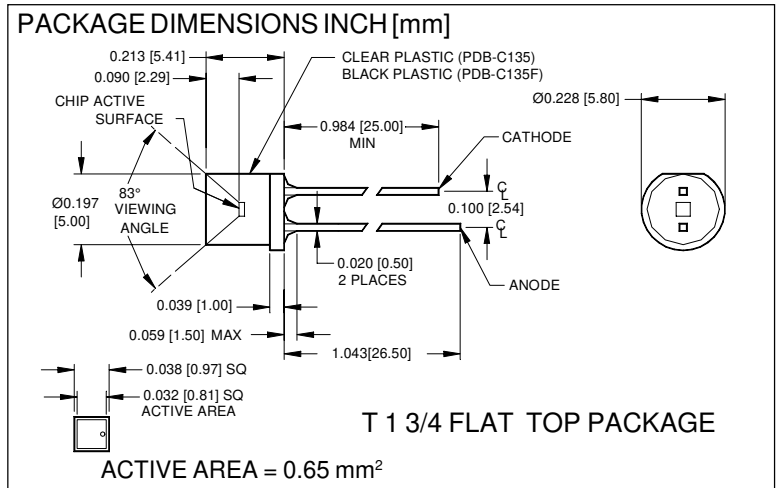
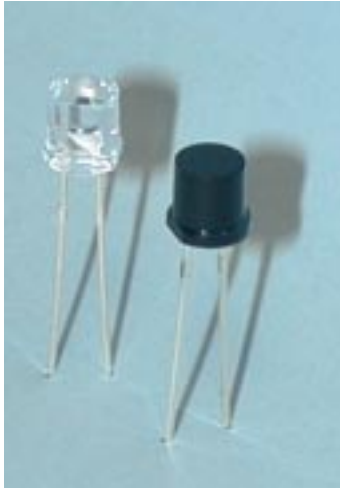
Email & Skype: info@chipsmall.com Web: www.chipsmall.com

Address: A1208, Overseas Decoration Building, #122 Zhenhua RD., Futian, Shenzhen, China



PHOTONIC DETECTORS INC.

Silicon Photodiode, Blue Enhanced Photoconductive Type PDB-C135 , with daylight filter Type PDB-C135F



FEATURES

- Flat top T 1 3/4
- High speed, 1 nS (tr)
- Low cost

DESCRIPTION: The **PDB-C135** detector is a 0.65 mm² planar pin photodiode packaged in a T 1 3/4, flat top, water clear plastic housing. Designed for high speed, low capacitance, photoconductive applications. The **PDB-C135F** includes a daylight filter.

APPLICATIONS

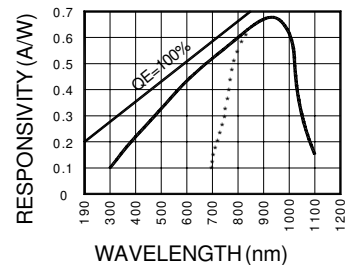
- Smoke detectors
- Light pen detectors
- TV & VCR remotes

ABSOLUTE MAXIMUM RATING (TA=25°C unless otherwise noted)

| SYMBOL | PARAMETER | MIN | MAX | UNITS |
|------------------|-----------------------------|-----|------|-------|
| V _{BR} | Reverse Voltage | | 100 | V |
| T _{STG} | Storage Temperature | -40 | +100 | °C |
| T _O | Operating Temperature Range | -40 | +80 | °C |
| T _S | Soldering Temperature* | | +260 | °C |
| I _L | Light Current | | 0.5 | mA |

*1/16 inch from case for 3 secs max

SPECTRAL RESPONSE



ELECTRO-OPTICAL CHARACTERISTICS (TA=25°C unless otherwise noted)

| SYMBOL | CHARACTERISTIC | TEST CONDITIONS | MIN | TYP | MAX | UNITS |
|-------------------|----------------------------|---------------------------------|-----|-----------------------|------|--------|
| I _{SC} | Short Circuit Current | H = 100 fc, 2850 K | 8 | 10 | | μA |
| I _D | Dark Current | H = 0, V _R = 10 V | | 2 | 10 | nA |
| R _{SH} | Shunt Resistance | H = 0, V _R = 10 mV | .5 | 5 | | GΩ |
| TCR _{SH} | RSH Temp. Coefficient | H = 0, V _R = 10 mV | | -8 | | % / °C |
| C _J | Junction Capacitance | H = 0, V _R = 10 V* | | 2 | 5 | pF |
| λrange | Spectral Application Range | (without daylight filter)** | 400 | | 1100 | nm |
| λp | Spectral Response - Peak | | | 950 | | nm |
| V _{BR} | Breakdown Voltage | I = 10 μA | 50 | 100 | | V |
| NEP | Noise Equivalent Power | V _R = 10 V @ Peak | | 1.5x10 ⁻¹³ | | W/√Hz |
| tr | Response Time | RL = 1 KΩ V _R = 50 V | | 5 | | nS |

Information in this technical data sheet is believed to be correct and reliable. However, no responsibility is assumed for possible inaccuracies or omission. Specifications are subject to change without notice. *f = 1 MHz, ** daylight filter= 700 - 1100 nm

[FORM NO. 100-PDB-C135 REV A]