



Chipsmall Limited consists of a professional team with an average of over 10 year of expertise in the distribution of electronic components. Based in Hongkong, we have already established firm and mutual-benefit business relationships with customers from,Europe,America and south Asia,supplying obsolete and hard-to-find components to meet their specific needs.

With the principle of “Quality Parts,Customers Priority,Honest Operation,and Considerate Service”,our business mainly focus on the distribution of electronic components. Line cards we deal with include Microchip,ALPS,ROHM,Xilinx,Pulse,ON,Everlight and Freescale. Main products comprise IC,Modules,Potentiometer,IC Socket,Relay,Connector.Our parts cover such applications as commercial,industrial, and automotives areas.

We are looking forward to setting up business relationship with you and hope to provide you with the best service and solution. Let us make a better world for our industry!



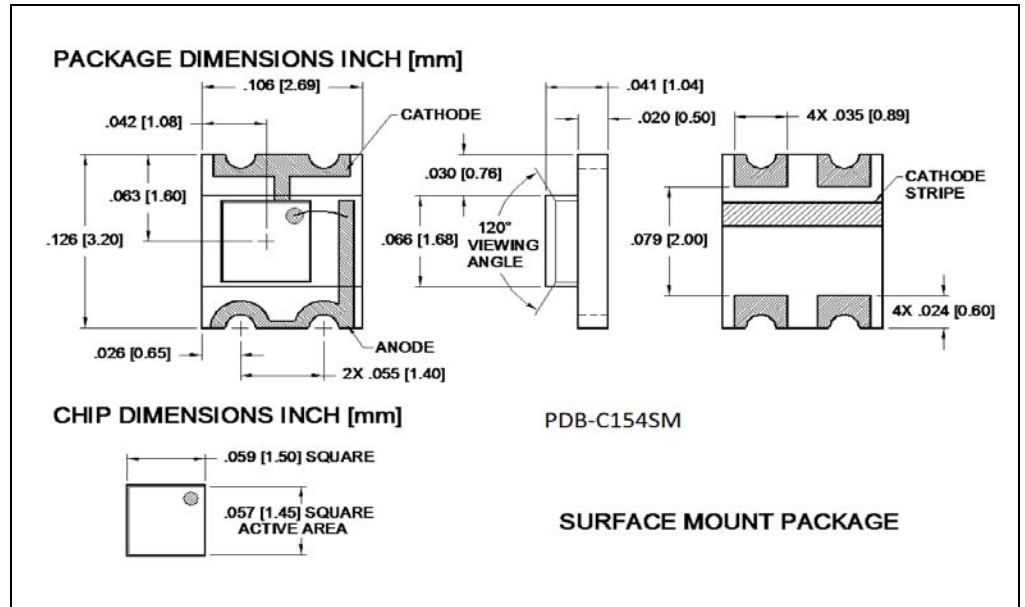
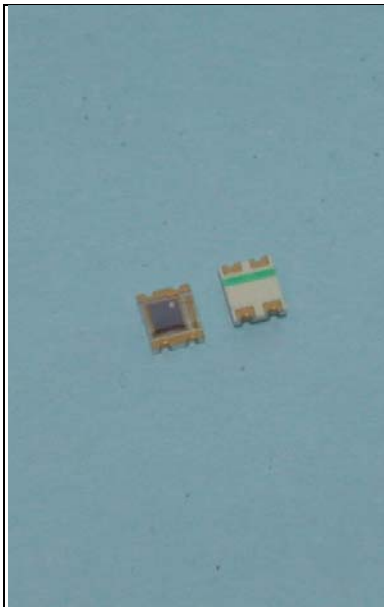
Contact us

Tel: +86-755-8981 8866 Fax: +86-755-8427 6832

Email & Skype: info@chipsmall.com Web: www.chipsmall.com

Address: A1208, Overseas Decoration Building, #122 Zhenhua RD., Futian, Shenzhen, China





DESCRIPTION

The **PDB-C154SM** is a red enhanced PIN silicon photodiode in a photoconductive mode packaged in a water clear surface mount package.

FEATURES

- Surface Mount
- Photoconductive
- High Speed
- Low cost

RELIABILITY

Contact Luna for recommendations on specific test conditions and procedures.

APPLICATIONS

- Industrial Control
- Opto Switches
- Opto Counters



ABSOLUTE MAXIMUM RATINGS

SYMBOL	MIN	MAX	UNITS	
Reverse Voltage	-	32	V	T _a = 23°C UNLESS OTHERWISE NOTED
Storage Temperature	-40	+125	°C	-
Operating Temperature	-40	+80	°C	-
Soldering Temperature*	-	+260	°C	5 sec max.

Information in this technical datasheet is believed to be correct and reliable. However, no responsibility is assumed for possible inaccuracies or omission. Specifications are subject to change without notice.

OPTO-ELECTRICAL PARAMETERS

T_a = 23°C UNLESS NOTED OTHERWISE

PARAMETER	TEST CONDITIONS	MIN	TYP	MAX	UNITS
Short Circuit Current	H= 100 fc, 2850 K	20	25	-	μA
Dark Current	V _R = 10 V	-	2	10	nA
Shunt Resistance	V _R = 10 mV	500	-	-	MΩ
Junction Capacitance	V _R =10V; f = 1 MHz	-	5	6	pF
Spectral Application Range	Spot Scan	400	-	1100	nm
Breakdown Voltage	I=10 μA	32	170	-	V
Noise Equivalent Power	V _R =10V@λ= Peak	-	1.5x10 ⁻¹³	-	W/√Hz
Response Time**	RL = 1KΩ, V _R = 10 V	-	10	-	nS

**Response time of 10% to 90% is specified at 660nm wavelength light.

TYPICAL PERFORMANCE

SPECTRAL RESPONSE

