



Chipsmall Limited consists of a professional team with an average of over 10 year of expertise in the distribution of electronic components. Based in Hongkong, we have already established firm and mutual-benefit business relationships with customers from,Europe,America and south Asia,supplying obsolete and hard-to-find components to meet their specific needs.

With the principle of “Quality Parts,Customers Priority,Honest Operation,and Considerate Service”,our business mainly focus on the distribution of electronic components. Line cards we deal with include Microchip,ALPS,ROHM,Xilinx,Pulse,ON,Everlight and Freescale. Main products comprise IC,Modules,Potentiometer,IC Socket,Relay,Connector.Our parts cover such applications as commercial,industrial, and automotives areas.

We are looking forward to setting up business relationship with you and hope to provide you with the best service and solution. Let us make a better world for our industry!



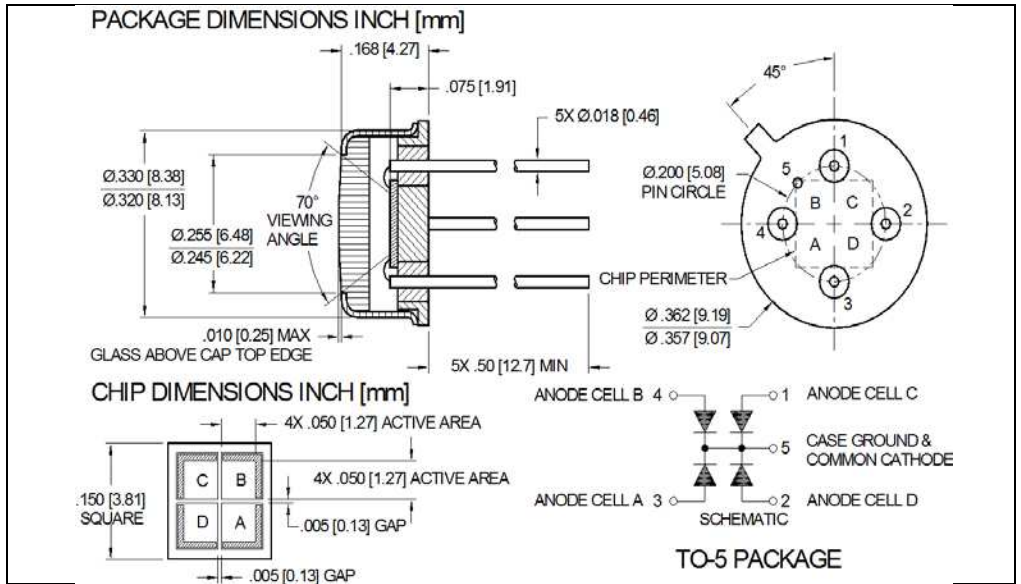
Contact us

Tel: +86-755-8981 8866 Fax: +86-755-8427 6832

Email & Skype: info@chipsmall.com Web: www.chipsmall.com

Address: A1208, Overseas Decoration Building, #122 Zhenhua RD., Futian, Shenzhen, China





DESCRIPTION

The **PDB-C203** is a blue enhanced quad-cell silicon photodiode used for nulling, centering, or measuring small positional changes packaged in a hermetic TO-5 metal package.

FEATURES

- Low Noise
- Red Enhanced
- High Speed
- Low Dark Current

RELIABILITY

Contact Luna for recommendations on specific test conditions and procedures.

APPLICATIONS

- Emitter Alignment
- Position Sensing
- Medical and Industrial

ABSOLUTE MAXIMUM RATINGS

SYMBOL	MIN	MAX	UNITS		
Reverse Voltage	-	-	100	V	$T_a = 23^{\circ}\text{C}$ UNLESS OTHERWISE NOTED
Storage Temperature	-55	-	+150	$^{\circ}\text{C}$	-
Operating Temperature	-40	to	+125	$^{\circ}\text{C}$	-
Soldering Temperature*	-	-	+240	$^{\circ}\text{C}$	-

* 1/16 inch from case for 3 seconds max.

OPTO-ELECTRICAL PARAMETERS

T_a = 23°C UNLESS NOTED OTHERWISE

PARAMETER	TEST CONDITIONS	MIN	TYP	MAX	UNITS
Short Circuit	H=100 fc, 2850 K	20	25	-	μA
Dark Current	V _R = 5 V	-	0.5	1.0	nA
Shunt Resistance	V _R = 10 mV	250	500	-	MΩ
Junction Capacitance	V _R =10V; f = 1 MHz	-	8	-	pF
Spectral Application Range	Spot Scan	350	-	1100	nm
Breakdown Voltage	I=10 μA	50	75	-	V
Noise Equivalent Power	V _R = 0V @ λ =Peak	-	8.5x10 ⁻¹⁵	-	W/√Hz
Response Time**	RL = 50 Ω, V _R = 0 V	-	190	-	nS
	RL = 50 Ω, V _R = 10 V	-	13	-	

**Response time of 10% to 90% is specified at 660nm wavelength light.

TYPICAL PERFORMANCE

SPECTRAL RESPONSE

