



Chipsmall Limited consists of a professional team with an average of over 10 year of expertise in the distribution of electronic components. Based in Hongkong, we have already established firm and mutual-benefit business relationships with customers from,Europe,America and south Asia,supplying obsolete and hard-to-find components to meet their specific needs.

With the principle of “Quality Parts,Customers Priority,Honest Operation,and Considerate Service”,our business mainly focus on the distribution of electronic components. Line cards we deal with include Microchip,ALPS,ROHM,Xilinx,Pulse,ON,Everlight and Freescale. Main products comprise IC,Modules,Potentiometer,IC Socket,Relay,Connector.Our parts cover such applications as commercial,industrial, and automotives areas.

We are looking forward to setting up business relationship with you and hope to provide you with the best service and solution. Let us make a better world for our industry!



Contact us

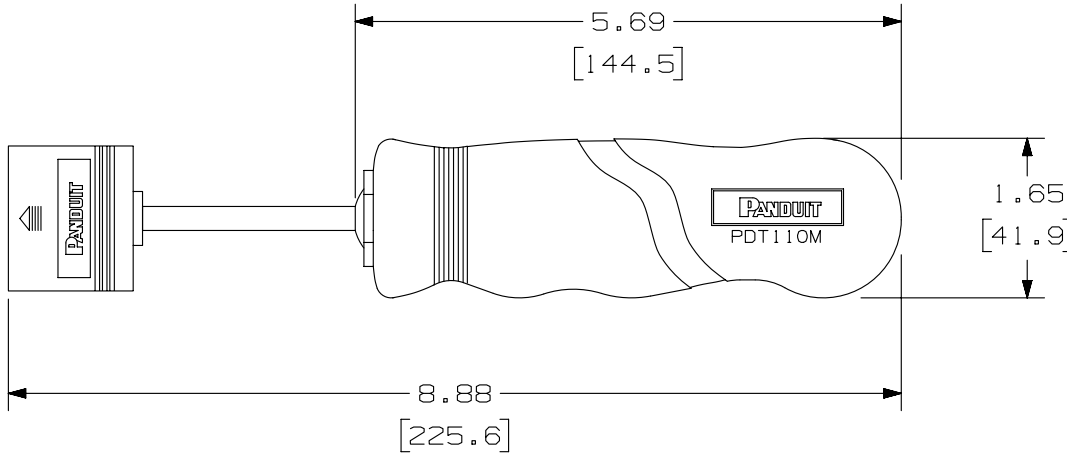
Tel: +86-755-8981 8866 Fax: +86-755-8427 6832

Email & Skype: info@chipsmall.com Web: www.chipsmall.com

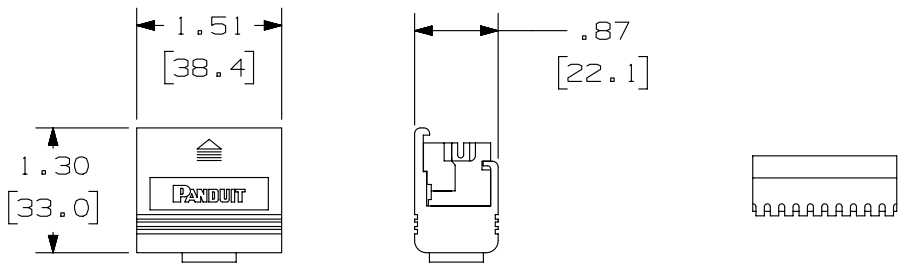
Address: A1208, Overseas Decoration Building, #122 Zhenhua RD., Futian, Shenzhen, China



THIS COPY IS PROVIDED ON A RESTRICTED BASIS AND IS NOT TO BE USED IN ANY WAY DETRIMENTAL TO THE INTERESTS OF PANDUIT CORP.



IMPACT TERMINATION TOOL
PDT110M

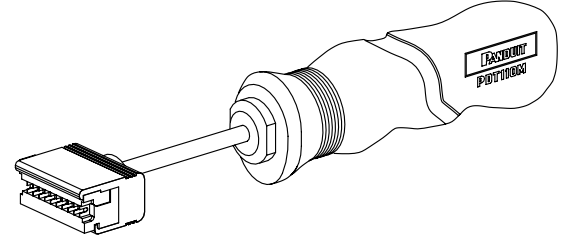


TERMINATION HEAD HOUSING ALUMINUM
PDH110M

CUTTING BLADE
PDB110M

PANDUIT PART NO.	WEIGHT
PDT110M	1.01 LB/ea 458.14 g/ea
PDB110M	.013 LB/ea 5.95 g/ea
PDH110M	.126 LB/ea 56.95 g/ea

- NOTES:
- SEE CURRENT CATALOG FOR ADDITIONAL PART NUMBER SUFFIXES TO INDICATE PACKAGE QUANTITY.
 - PARTS INCLUDED ARE:
 PDT110M 5 PAIR MULTIPLE PUNCHDOWN TOOL (INCLUDES ALL COMPONENTS OF PDH110M)
 PDB110M REPLACEMENT CUTTING BLADE.
 PDH110M HEAD FOR IMPACT TERMINATION TOOL CUTTING BLADE AND INSERTION ASSEMBLY.
 - DIMENSIONS IN [] ARE IN METRIC.
 - TERMINATES CABLE ON BOTH CABLE AND CROSSCONNECT SIDES OF 110 CONNECTING BLOCKS. REVERSIBLE BLADE PROVIDES OPTION OF TERMINATING WITHOUT CUTTING WIRE. SEATS 3, 4, OR 5 PAIR CONNECTING BLOCKS ONTO 110 BASE.



PART NUMBER PDT110M, PDB110M, PDH110M					
TITLE PAN-PUNCH 110 STYLE MULTI-PAIR PUNCH DOWN TOOL					
CUSTOMER DRAWING					
ITEM REVISION NAME D35543BZ/00	PANDUIT				
DATASET FILE NAME D35543BZ_DC_PDT110M/00A					
UNLESS OTHERWISE SPECIFIED, DIMENSIONAL TOLERANCES ARE: IN [mm]					
<table border="0"> <tr> <td>.x ±</td> <td>.xxx ± .010 [.3]</td> </tr> <tr> <td>.xx ± .03 [.8]</td> <td>ANGLES ±</td> </tr> </table>		.x ±	.xxx ± .010 [.3]	.xx ± .03 [.8]	ANGLES ±
.x ±	.xxx ± .010 [.3]				
.xx ± .03 [.8]	ANGLES ±				
THIRD ANGLE PROJECTION					
DRAWN BY BAP	DATE 2-5-97				
CHK CAF	SCALE NONE				
DRAWING NUMBER: 35543-24					
SHT 1 OF 1					
SIZE A					

REV	DATE	BY	CHK	APR	DESCRIPTION	ECN
1	5/20/14	JSP	REFR	MMR	A. REVISED DRAWING TITLE BLOCK	35543-24
R	2-5-97	BAP	CAF	CAF	RELEASED TO PRODUCTION	35543-24

D10100DA/14