



Chipsmall Limited consists of a professional team with an average of over 10 year of expertise in the distribution of electronic components. Based in Hongkong, we have already established firm and mutual-benefit business relationships with customers from,Europe,America and south Asia,supplying obsolete and hard-to-find components to meet their specific needs.

With the principle of “Quality Parts,Customers Priority,Honest Operation,and Considerate Service”,our business mainly focus on the distribution of electronic components. Line cards we deal with include Microchip,ALPS,ROHM,Xilinx,Pulse,ON,Everlight and Freescale. Main products comprise IC,Modules,Potentiometer,IC Socket,Relay,Connector.Our parts cover such applications as commercial,industrial, and automotives areas.

We are looking forward to setting up business relationship with you and hope to provide you with the best service and solution. Let us make a better world for our industry!



Contact us

Tel: +86-755-8981 8866 Fax: +86-755-8427 6832

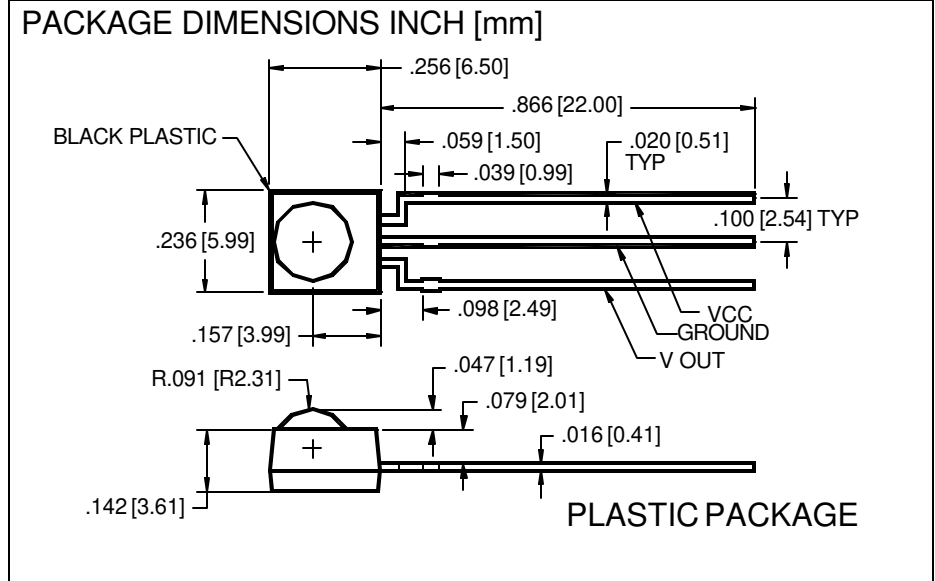
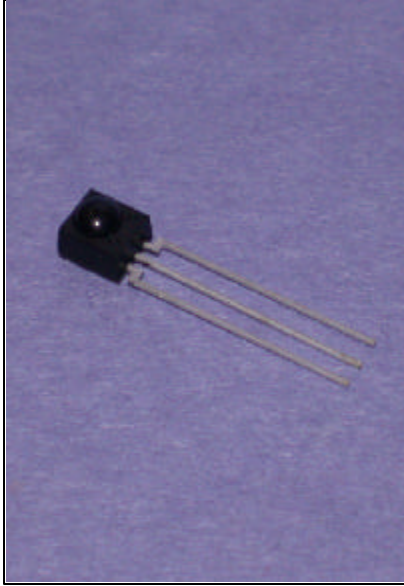
Email & Skype: info@chipsmall.com Web: www.chipsmall.com

Address: A1208, Overseas Decoration Building, #122 Zhenhua RD., Futian, Shenzhen, China



PHOTONIC DETECTORS INC.

I.R. Remote control, Opto Receiver I.C. Type PDI-701



FEATURES

- 38 KHz B.P.F. freq.
- Built-in EMI shield
- Compact- Low cost
- Matched to 880 & 940 nm LEDs

DESCRIPTION:

The **PDI-701** is a compact, low cost opto I.C. receiver, designed for audio, video, industrial and other NIR remote control applications. B.P.F. center frequency set at 38 KHz, built-in EMI shield with magnification lens. Matched to PDI-E800 & PDI-E900 LEDs (880 & 940 nm).

APPLICATIONS

- Audio remote control
- Video remote control
- Industrial remote

ABSOLUTE MAXIMUM RATING (TA=25°C unless otherwise noted)

| SYMBOL | PARAMETER | MIN | MAX | UNITS |
|------------------|-----------------------------|-----|------|-------|
| V _{CC} | Supply Voltage | | 6.3 | V |
| T _{STG} | Storage Temperature | -30 | +100 | °C |
| T _O | Operating Temperature Range | -10 | +75 | °C |
| T _S | Soldering Temperature* | | +260 | °C |

*3mm from case for 5 secs max

ELECTRO-OPTICAL CHARACTERISTICS (TA=25°C unless otherwise noted)

| SYMBOL | CHARACTERISTIC | TEST CONDITIONS | MIN | TYP | MAX | UNITS |
|------------------|-----------------------------|-----------------|-----|--------|-----|-------|
| V _{CC} | Supply Voltage | | 4.5 | 5.0 | 5.5 | V |
| I _{CC} | Current Consumption | No Signal Input | | 1.5 | 2.0 | mA |
| L | Detection Length | | 10 | 16 | | M |
| V _h | High Level Voltage | | 4.5 | | | V |
| V _l | Low Level Voltage | | | | 0.5 | V |
| T _{ON} | On-pulse Width | | 400 | 600 | 800 | μS |
| T _{OFF} | Off-pulse Width | | 400 | 600 | 800 | μS |
| λ | Sensitivity Peak Wavelength | | | 940 | | nm |
| F _O | Central Frequency | | | 38.0 | | KHz |
| Θ80% | Horizon Angle/ Vertical | | | 35/ 30 | | deg |

Information in this technical data sheet is believed to be correct and reliable. However, no responsibility is assumed for possible inaccuracies or omission. Specifications are subject to change without notice.

[FORM NO. 100-PDI-701 REV N/C]