



Chipsmall Limited consists of a professional team with an average of over 10 year of expertise in the distribution of electronic components. Based in Hongkong, we have already established firm and mutual-benefit business relationships with customers from,Europe,America and south Asia,supplying obsolete and hard-to-find components to meet their specific needs.

With the principle of “Quality Parts,Customers Priority,Honest Operation,and Considerate Service”,our business mainly focus on the distribution of electronic components. Line cards we deal with include Microchip,ALPS,ROHM,Xilinx,Pulse,ON,Everlight and Freescale. Main products comprise IC,Modules,Potentiometer,IC Socket,Relay,Connector.Our parts cover such applications as commercial,industrial, and automotives areas.

We are looking forward to setting up business relationship with you and hope to provide you with the best service and solution. Let us make a better world for our industry!



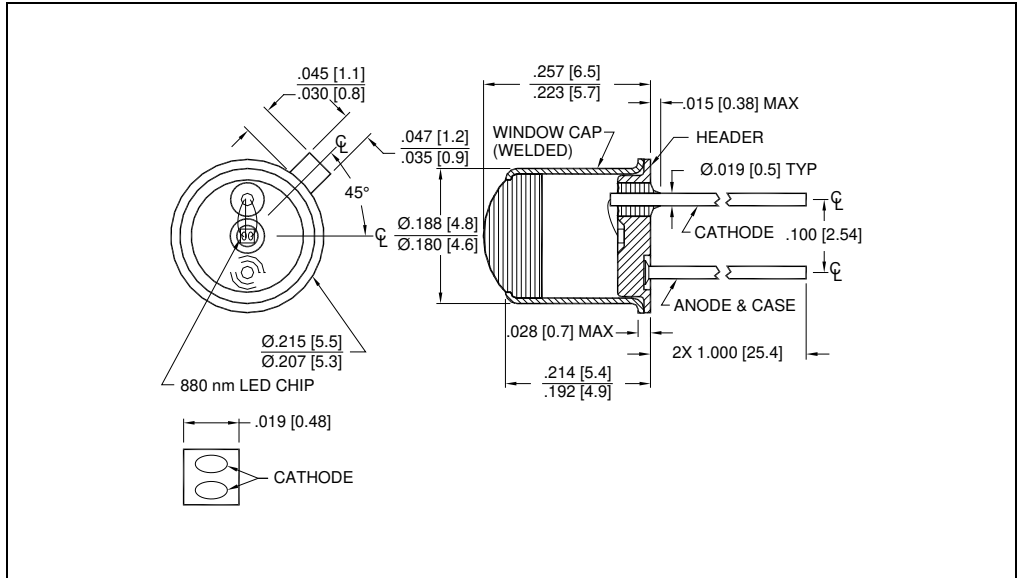
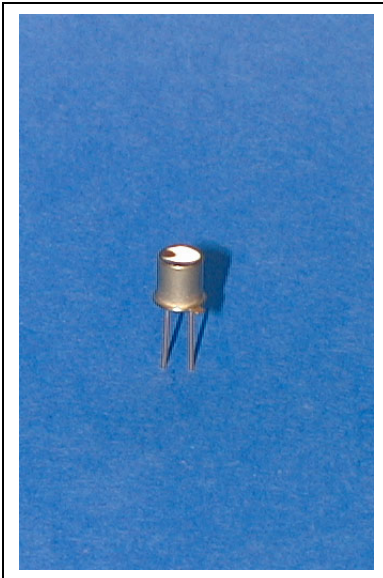
Contact us

Tel: +86-755-8981 8866 Fax: +86-755-8427 6832

Email & Skype: info@chipsmall.com Web: www.chipsmall.com

Address: A1208, Overseas Decoration Building, #122 Zhenhua RD., Futian, Shenzhen, China





DESCRIPTION

The **PDI-E813** is a high power GaAlAs infrared emitter, packaged in a hermetic TO-46 metal header with a dome window glass.

FEATURES

- High output power
- High reliability
- Medium emission angle

RELIABILITY

Contact Luna for recommendations on specific test conditions and procedures.

APPLICATIONS

- Photoelectric switches
- Optical readers
- Infrared sources



ABSOLUTE MAXIMUM RATINGS

SYMBOL	MIN		MAX	UNITS	(TA)= 23°C UNLESS OTHERWISE NOTED
Power Dissipation	-	-	360	mW	-
Continuous Forward Current	-	-	180	mA	-
Peak Forward Current	-	-	3.0	A	-
Reverser Voltage	-	-	3	V	-
Storage Temperature	-55	to	+125	°C	-
Operating Temperature	-55	to	+125	°C	-
Soldering Temperature	-	-	+240	°C	-

*1/16 inch from case for 3 seconds max.

Information in this technical datasheet is believed to be correct and reliable. However, no responsibility is assumed for possible inaccuracies or omission. Specifications are subject to change without notice.

OPTO-ELECTRICAL PARAMETERS

$T_a = 23^{\circ}\text{C}$ UNLESS NOTED OTHERWISE

PARAMETER	TEST CONDITIONS	MIN	TYP	MAX	UNITS
Output Power	$I_f = 100 \text{ mA}$	7.0	15	-	mW
Forward Voltage	$I_f = 100 \text{ mA}$	-	1.5	1.9	V
Reverse Current	$V_R = -3\text{V}$	-	-	10	μA
Peak Wavelength	$I_f = 50 \text{ mA}$	865	880	895	nm
Spectral Halfwidth	$I_f = 50 \text{ mA}$	-	80	-	nm
Dynamic Resistance	$I_f = 100 \text{ mA}$	-	1.2	-	Ohms
Rise Time	$I_f = 20 \text{ mA}$	-	0.6	-	μs
Fall Time	$I_f = 20 \text{ mA}$	-	0.5	-	μs