



Chipsmall Limited consists of a professional team with an average of over 10 year of expertise in the distribution of electronic components. Based in Hongkong, we have already established firm and mutual-benefit business relationships with customers from,Europe,America and south Asia,supplying obsolete and hard-to-find components to meet their specific needs.

With the principle of “Quality Parts,Customers Priority,Honest Operation,and Considerate Service”,our business mainly focus on the distribution of electronic components. Line cards we deal with include Microchip,ALPS,ROHM,Xilinx,Pulse,ON,Everlight and Freescale. Main products comprise IC,Modules,Potentiometer,IC Socket,Relay,Connector.Our parts cover such applications as commercial,industrial, and automotives areas.

We are looking forward to setting up business relationship with you and hope to provide you with the best service and solution. Let us make a better world for our industry!



## Contact us

Tel: +86-755-8981 8866 Fax: +86-755-8427 6832

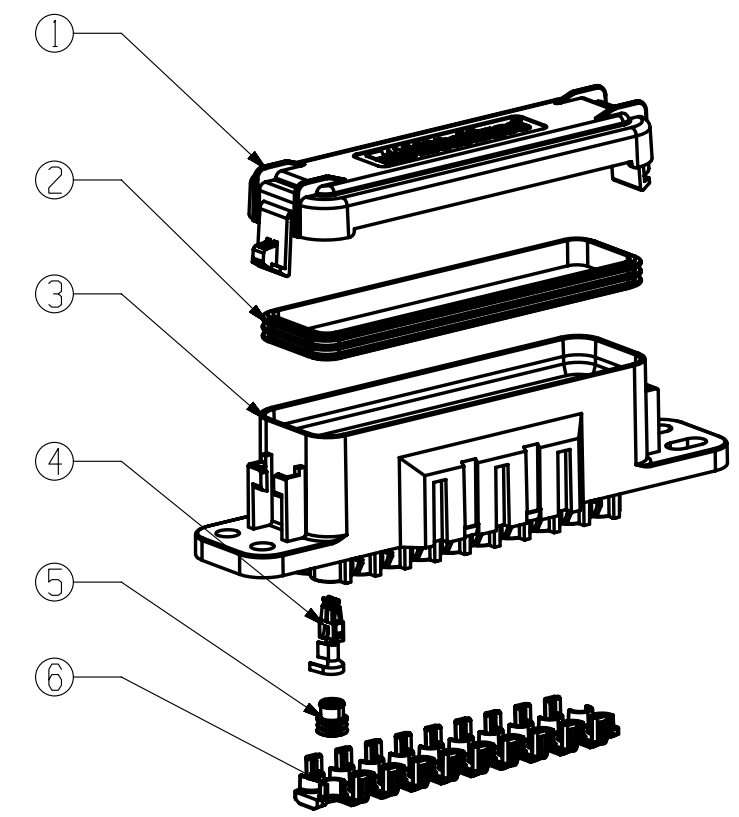
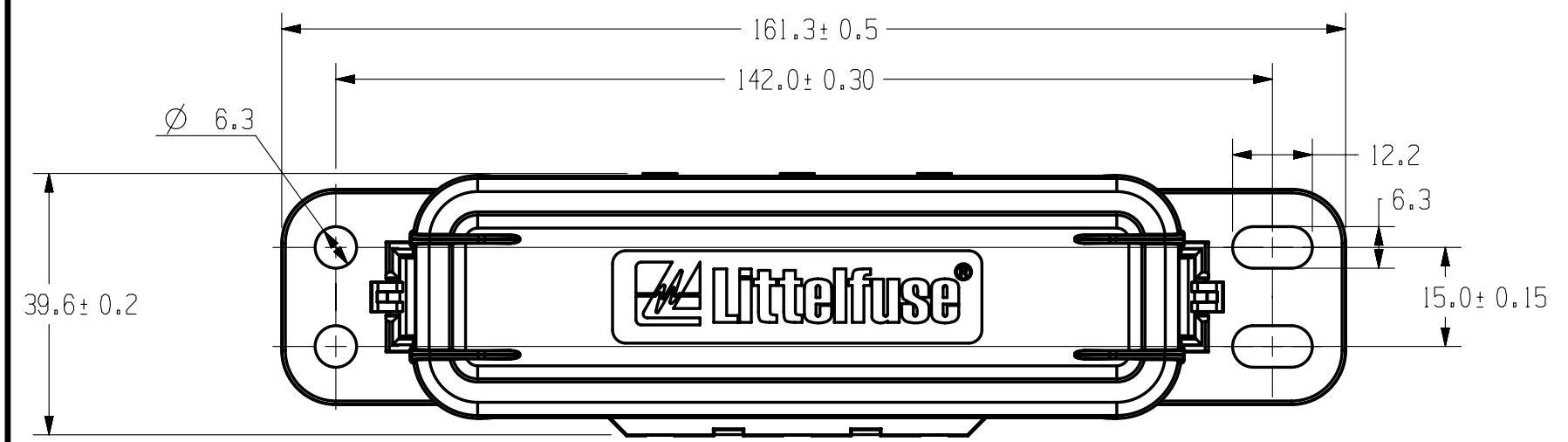
Email & Skype: info@chipsmall.com Web: www.chipsmall.com

Address: A1208, Overseas Decoration Building, #122 Zhenhua RD., Futian, Shenzhen, China

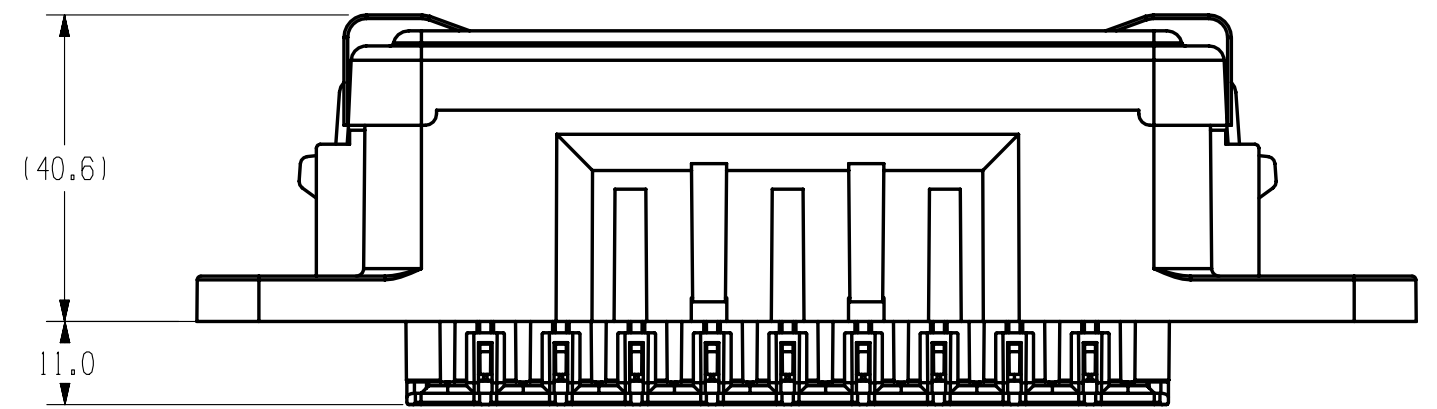


FEMALE TERMINAL FOR ATO FUSE				
Cable Seal & Terminals not provided by Littelfuse. For reference only.				
CABLE SIZE mm <sup>2</sup>	FEMALE TERMINAL (TYCO STANDARD POWER TIMER)	CABLE DIA.	CABLE SEAL	BLANK CABLE SEAL
0.50 - 1	927836	1.4-2.1	963243-1/963244-1	100132-1
1.0-2.5	927835	2.2-3.0	963244-1/963245-1	
2.5-4.0	928966	3.4-3.7	963245-1	
3.0-5.0	1241962-1	4.2	967011-1	

LTR	DATE	REVISION	CHK	APD
A	2012/12/07	506933ERA NEW RELEASE EJIN		
B	07/19/13	508954ECA CHANGE COVER MATERIAL FOR HIGH TEMPERATURE USAGE, CHANGE TEMPERATURE RANGE 125 TO 85; CHANGE INPUT CAPABILITY 150 TO 210		
C	11/26/13	509872 ECA Change the name & update the notes		
D	06/25/14	510674ECA-CORRECT PART NUMBER OF COVER GASKET FYUE		
E	24/Mar/16	515547ECA-CHANGE TYCO TERMINAL 927835 WAS 927837 FYUE		
F	25/Mar/16	515613ECA-CHANGE MOUNTING TORQUE FYUE		



- NOTES:
- ① MATERIAL: COVER & BASE: TPA BLACK Thermoplastic-94VO  
SEAL: SILICONE RUBBER, GREEN
  - ② TORQUE RATING: 4-6 Nm USING M6 BOLT & LOCK WASHER.
  - ③ FUSE RATING: 40A PER CIRCUIT.
  - ④ OPERATING & STORAGE TEMPERATURE: -40° C TO 85° C
  - ⑤ IP SEALING CLASS PER IEC60529 IP66 & IP67.
  - ⑥ TERMINAL RETENTION PER USCAR 2 SECTION 5.4.1.3 USING TYCO STANDARD POWER TIMER TERMINALS (SEALED).
  - ⑦ TPA RETENTION PER USCAR 2 SECTION 5.4.4.4
  - ⑧ MAX. CONTINUOUS CURRENT: 210A FOR ENTIRE FUSEHOLDER.



NO	COMPONENT NO	DESCRIPTION	QTY/M	U/M
6	883-027	TPA		
5	SEE TABLE	SINGLE CABLE SEAL		
4	SEE TABLE	STANDARD POWER TIMER		
3	868-053	HOUSING		
2	901-057	COVER GASKET		
1	873-014	COVER		

BILL OF MATERIAL			
UNLESS OTHERWISE SPECIFIED, DIMENSIONS ARE IN MILLIMETERS. DIMENSIONS IN BRACKETS [ ] ARE INCHES			
UNLESS OTHERWISE SPECIFIED, DIMENSIONS DO NOT INCLUDE PLATING.			
⊙	DENOTES CRITICAL CHARACTERISTICS.		
CPK	DENOTES CPK DIMENSIONS, -MINIMUM CPK VALUE		
ST	DENOTES A CHARACTERISTIC THAT PROVIDES AN INDICATION OF PROCESS PERFORMANCE. PROCEDURE FOR MEASUREMENT AND TRACKING TO BE DEFINED IN LITTELFUSE INSPECTION INSTRUCTIONS		
CP	DENOTES CP DIMENSIONS, -MINIMUM CP VALUE MUST BE WITHIN THE DIMENSIONAL LIMITATIONS SHOWN ON DRAWING AND INITIALLY LOCATED TO ALLOW FOR MAXIMUM TOOL LIFE		
COPIES TO	MATL SPEC SEE NOTE		
1	9	18	
2	10	19	
3	12	20	
4	13	21	
5	14	23	
6	15	33	
7	16	43	
8	17	53	
TOLERANCES UNLESS OTHERWISE SPECIFIED (REF. ISO 2768-MH)			
DIMENSION	0.5 - 3	3 - 6	6 - 30
TOLERANCE	±0.1	±0.15	±0.2
3RD ANGLE PROJECTION			
TITLE		HWA20 Fuseholder	
Littelfuse		REVISION	DRWG. NO.
DES PLAINES, ILLINOIS 60016		F	OL-PDM61001ZXM

METRIC ASSEMBLY

CAD GENERATED DRAWING - NO PENCIL CHANGES ALLOWED