



Chipsmall Limited consists of a professional team with an average of over 10 year of expertise in the distribution of electronic components. Based in Hongkong, we have already established firm and mutual-benefit business relationships with customers from,Europe,America and south Asia,supplying obsolete and hard-to-find components to meet their specific needs.

With the principle of “Quality Parts,Customers Priority,Honest Operation,and Considerate Service”,our business mainly focus on the distribution of electronic components. Line cards we deal with include Microchip,ALPS,ROHM,Xilinx,Pulse,ON,Everlight and Freescale. Main products comprise IC,Modules,Potentiometer,IC Socket,Relay,Connector.Our parts cover such applications as commercial,industrial, and automotives areas.

We are looking forward to setting up business relationship with you and hope to provide you with the best service and solution. Let us make a better world for our industry!



Contact us

Tel: +86-755-8981 8866 Fax: +86-755-8427 6832

Email & Skype: info@chipsmall.com Web: www.chipsmall.com

Address: A1208, Overseas Decoration Building, #122 Zhenhua RD., Futian, Shenzhen, China



SERIES: PDQE10 | DESCRIPTION: DC-DC CONVERTER
FEATURES

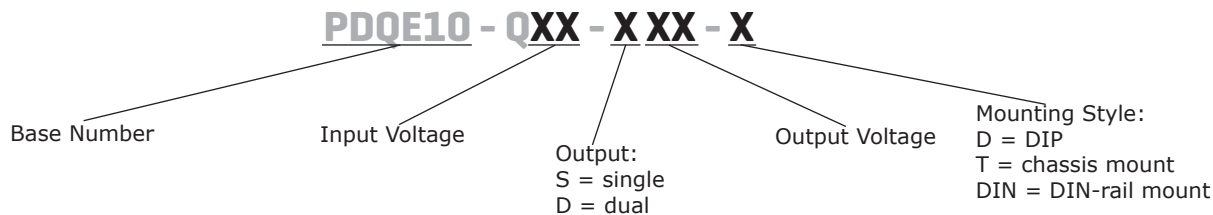
- industry standard footprint
- board, chassis and Din rail versions available
- industrial operating temp -40~+85°C
- 1500 Vdc isolation voltage
- industry standard footprint compatible with CUI legacy PDQ10 series
- high efficiency up to 88%
- 4:1 input rating
- single & dual output models available
- output short circuit, over current & overvoltage protection
- compliant with CISPR22/EN55022 Class A



| MODEL | input voltage | | output voltage (Vdc) | output current | | output power max (W) | ripple & noise ¹ max (mVp-p) | efficiency ² typ (%) |
|-----------------------------|---------------|-------------|-------------------------|----------------|----------|-------------------------|--|------------------------------------|
| | typ (Vdc) | range (Vdc) | | min (mA) | max (mA) | | | |
| PDQE10-Q24-S3 | 24 | 9~36 | 3.3 | 0 | 2400 | 7.92 | 80 | 79 |
| PDQE10-Q24-S5 | 24 | 9~36 | 5 | 0 | 2000 | 10 | 80 | 83 |
| PDQE10-Q24-S9 | 24 | 9~36 | 9 | 0 | 1111 | 10 | 80 | 86 |
| PDQE10-Q24-S12 | 24 | 9~36 | 12 | 0 | 833 | 10 | 80 | 87 |
| PDQE10-Q24-S15 | 24 | 9~36 | 15 | 0 | 667 | 10 | 80 | 87 |
| PDQE10-Q24-S24 | 24 | 9~36 | 24 | 0 | 416 | 10 | 80 | 88 |
| PDQE10-Q24-D5 ³ | 24 | 9~36 | ±5 | 0 | ±1000 | 10 | 80 | 83 |
| PDQE10-Q24-D9 ³ | 24 | 9~36 | ±9 | 0 | ±555 | 10 | 80 | 86 |
| PDQE10-Q24-D12 ³ | 24 | 9~36 | ±12 | 0 | ±416 | 10 | 80 | 87 |
| PDQE10-Q24-D15 ³ | 24 | 9~36 | ±15 | 0 | ±333 | 10 | 80 | 87 |
| PDQE10-Q24-D24 ³ | 24 | 9~36 | ±24 | 0 | ±208 | 10 | 80 | 87 |
| PDQE10-Q48-S3 | 48 | 18~75 | 3.3 | 0 | 2400 | 7.92 | 80 | 79 |
| PDQE10-Q48-S5 | 48 | 18~75 | 5 | 0 | 2000 | 10 | 80 | 83 |
| PDQE10-Q48-S12 | 48 | 18~75 | 12 | 0 | 833 | 10 | 80 | 87 |
| PDQE10-Q48-S15 | 48 | 18~75 | 15 | 0 | 667 | 10 | 80 | 87 |
| PDQE10-Q48-S24 | 48 | 18~75 | 24 | 0 | 416 | 10 | 80 | 88 |
| PDQE10-Q48-D5 | 48 | 18~75 | ±5 | 0 | ±1000 | 10 | 80 | 83 |
| PDQE10-Q48-D12 | 48 | 18~75 | ±12 | 0 | ±416 | 10 | 80 | 87 |
| PDQE10-Q48-D15 | 48 | 18~75 | ±15 | 0 | ±333 | 10 | 80 | 87 |
| PDQE10-Q48-D24 | 48 | 18~75 | ±24 | 0 | ±208 | 10 | 80 | 87 |

- Notes:
1. From 5~100% load, nominal input, 20 MHz bandwidth oscilloscope, with 10 μ F tantalum and 1 μ F ceramic capacitors on the output. From 0~5% load, ripple and noise is <5% Vo.
 2. Measured at nominal input voltage, full load. The typical efficiencies for the chassis mount and DIN-rail mount versions are ~2% less than the DIP versions due to the input reverse polarity protection.
 3. In addition to all DIP versions, chassis mount and DIN-rail mount versions of these models are UL approved.
 4. All specifications are measured at Ta=25°C, humidity < 75%, nominal input voltage, and rated output load unless otherwise specified.

PART NUMBER KEY



INPUT

| parameter | conditions/description | min | typ | max | units |
|--------------------------------------|---|-----------------------|------|-----|-------|
| operating input voltage ⁵ | 24 Vdc input models | 9 | 24 | 36 | Vdc |
| | 48 Vdc input models | 18 | 48 | 75 | Vdc |
| start-up voltage ⁵ | 24 Vdc input models | | | 9 | Vdc |
| | 48 Vdc input models | | | 18 | Vdc |
| surge voltage | for maximum of 1 second | | | | |
| | 24 Vdc input models | -0.7 | | 50 | Vdc |
| | 48 Vdc input models | -0.7 | | 100 | Vdc |
| under voltage shutdown | 24 Vdc input models | 5.5 | 6.5 | | Vdc |
| | 48 Vdc input models | 12 | 15.5 | | Vdc |
| current | 24 Vdc input models | | | 429 | mA |
| | | 3.3 Vdc output models | | 515 | mA |
| | | all other models | | | |
| | 48 Vdc input models | | | 215 | mA |
| | | 3.3 Vdc output models | | 258 | mA |
| | | all other models | | | |
| remote on/off (CTRL) ⁶ | turn on (3.5~12 Vdc or open circuit) | | | | |
| | turn off (<1.2 Vdc) | | | | |
| | input current when switched off | | 6 | 10 | mA |
| filter | Pi filter | | | | |
| input reverse polarity protection | only present on chassis mount and DIN-rail mount models | | | | |
| no load power consumption | | | 0.12 | | W |

Notes: 5. The minimum input voltage and start-up voltage for the chassis mount and DIN-rail mount versions are 1 Vdc higher than the DIP versions.
6. The voltage of the Ctrl pin is referenced to input GND pin.

OUTPUT

| parameter | conditions/description | min | typ | max | units |
|--------------------------------------|---------------------------------------|-----|------|-------|-------|
| maximum capacitive load ⁷ | 3.3, 5 Vdc output models | | | 2,200 | μF |
| | ±5 Vdc output models | | | 1,000 | μF |
| | 9, ±9 Vdc output models | | | 680 | μF |
| | ±12 Vdc output models | | | 470 | μF |
| | ±15 Vdc output models | | | 330 | μF |
| | all other models | | | 100 | μF |
| voltage accuracy ⁸ | 0% to full load | | ±1 | ±3 | % |
| line regulation | from low line to high line, full load | | | | |
| | positive outputs | | ±0.2 | ±0.5 | % |
| | negative outputs | | ±0.5 | ±1 | % |
| load regulation ⁹ | from 5% to full load | | | | |
| | positive outputs | | ±0.5 | ±1 | % |
| | negative outputs | | ±0.5 | ±1.5 | % |
| voltage balance ¹⁰ | dual output models | | | ±5 | % |

Note: 7. Tested at input voltage range and full load.
8. At 0~5% load, the max output voltage accuracy for the ±5 & ±9 Vdc output models is ±5%.
9. At 0~100% load, the max load regulation is ±5%.
10. Unbalanced loads should not exceed ±5%. If ±5% is exceeded, the product performance cannot be guaranteed.

OUTPUT (CONTINUED)

| parameter | conditions/description | min | typ | max | units |
|-----------------------------------|---|-----|-----|-------|-------|
| cross regulation | dual output models: main output 50% load secondary output from 10~100% load | | | ±5 | % |
| switching frequency ¹¹ | PWM mode | | 350 | | kHz |
| transient recovery time | 25% load step change, nominal input voltage | | 300 | 500 | µs |
| transient response deviation | 25% load step change, nominal input voltage | | ±3 | ±5 | % |
| temperature coefficient | at full load | | | ±0.03 | %/°C |

Note: 11. Value is based on full load. At loads <10%, the switching frequency decreases with decreasing load

PROTECTIONS

| parameter | conditions/description | min | typ | max | units |
|--------------------------|---------------------------|-----|-----|-----|-------|
| over voltage protection | | 110 | | 160 | % |
| over current protection | | 110 | 140 | 190 | % |
| short circuit protection | continuous, self recovery | | | | |

SAFETY AND COMPLIANCE

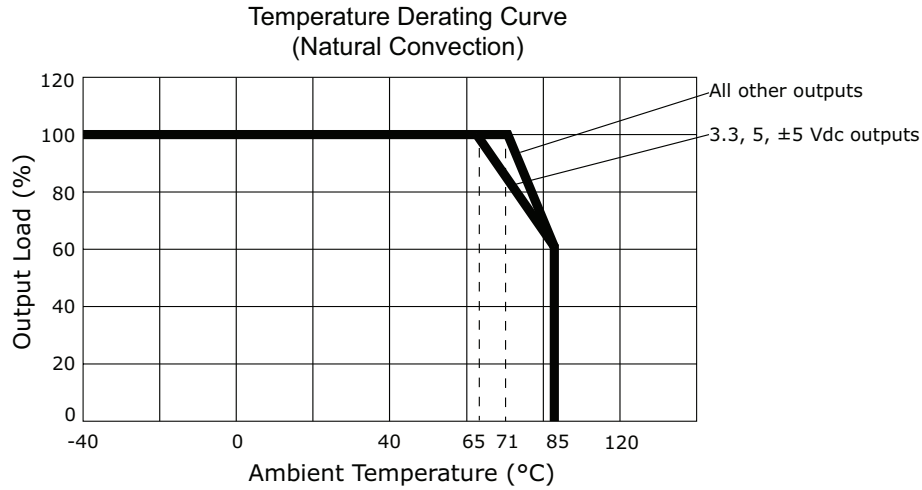
| parameter | conditions/description | min | typ | max | units |
|--------------------------------|---|-----------|-------|-----|-------|
| isolation voltage | input to output for 1 minute at 1 mA | 1,500 | | | Vdc |
| isolation resistance | input to output at 500 Vdc | 1,000 | | | MΩ |
| isolation capacitance | input to output, 100 kHz / 0.1 V | | 1,000 | | pF |
| safety approvals ¹² | UL 60950-1 | | | | |
| conducted emissions | CISPR22/EN55022, class A (no external circuit); class B (external circuit required, see Figure 3-b) | | | | |
| radiated emissions | CISPR22/EN55022, class A (no external circuit); class B (external circuit required, see Figure 3-b) | | | | |
| ESD | IEC/EN61000-4-2, contact ± 4kV, class B | | | | |
| radiated immunity | IEC/EN61000-4-3, 10V/m, class A | | | | |
| EFT/burst | IEC/EN61000-4-4, ± 2kV, class B (external circuit required, see Figure 3-a) | | | | |
| surge | IEC/EN61000-4-5, line-line ± 2kV, class B (external circuit required, see Figure 3-a) | | | | |
| conducted immunity | IEC/EN61000-4-6, 3 Vr.m.s, class A | | | | |
| voltage dips & interruptions | IEC/EN61000-4-29, 0%-70%, class B | | | | |
| MTBF | as per MIL-HDBK-217F, 25°C | 1,000,000 | | | hours |
| RoHS | yes | | | | |

Note: 12. See specific chassis mount and DIN-rail mount versions with UL approval on page 1.

ENVIRONMENTAL

| parameter | conditions/description | min | typ | max | units |
|-----------------------|--------------------------------------|-----|-----|-----|-------|
| operating temperature | see derating curves | -40 | | 85 | °C |
| storage temperature | | -55 | | 125 | °C |
| storage humidity | non-condensing | 5 | | 95 | % |
| vibration | 10~55 Hz for 30 minutes on each axis | | 10 | | G |

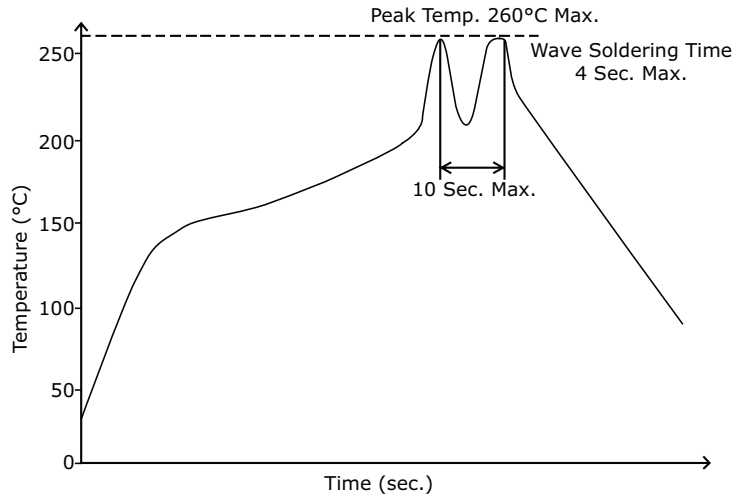
DERATING CURVES



SOLDERABILITY¹³

| parameter | conditions/description | min | typ | max | units |
|----------------|---------------------------------|-----|-----|-----|-------|
| hand soldering | 1.5 mm from case for 10 seconds | | | 300 | °C |
| wave soldering | see wave soldering profile | | | 260 | °C |

Note: 13. For DIP models only.



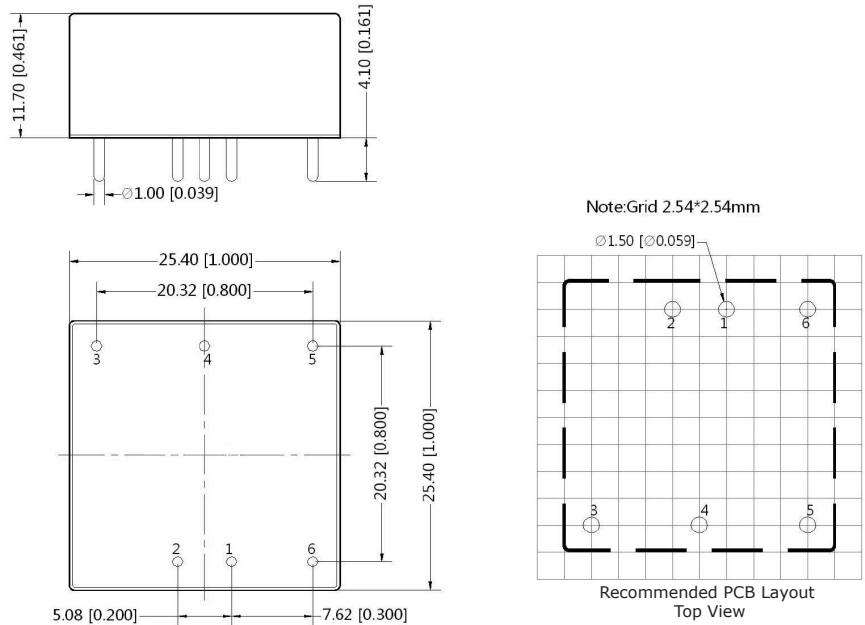
MECHANICAL

| parameter | conditions/description | min | typ | max | units |
|---------------|------------------------|--|-----|-----|-------|
| dimensions | DIP | 25.40 x 25.40 x 11.70 [1.000 x 1.000 x 0.461 inch] | | | mm |
| | Chassis | 76.00 x 31.50 x 21.20 [2.992 x 1.240 x 0.834 inch] | | | mm |
| | DIN-Rail | 76.00 x 31.50 x 25.80 [2.992 x 1.240 x 1.016 inch] | | | mm |
| case material | aluminum alloy | | | | |
| weight | DIP | | 15 | | g |
| | Chassis mount | | 35 | | g |
| | DIN-rail mount | | 55 | | g |

MECHANICAL DRAWING (DIP)

units: mm [inch]
 tolerance: ± 0.50 [± 0.020]
 pin diameter tolerance: ± 0.10 [± 0.004]

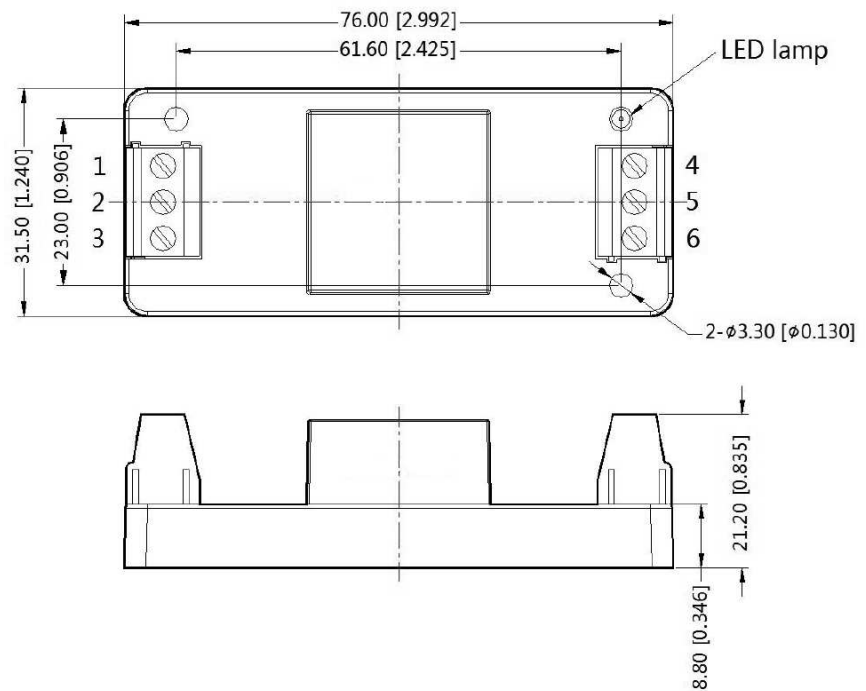
| PIN CONNECTIONS | | |
|-----------------|----------|-------|
| PIN | Function | |
| | Single | Dual |
| 1 | GND | GND |
| 2 | Vin | Vin |
| 3 | +Vout | +Vout |
| 4 | No Pin | 0V |
| 5 | 0V | -Vout |
| 6 | CTRL | CTRL |



MECHANICAL DRAWING (CHASSIS)

units: mm [inch]
 tolerance: ± 0.50 [± 0.020]
 wire range: 24~12 AWG
 tightening torque: max 0.4 N*m

| PIN CONNECTIONS | | |
|-----------------|----------|-------|
| PIN | Function | |
| | Single | Dual |
| 1 | CTRL | CTRL |
| 2 | GND | GND |
| 3 | Vin | Vin |
| 4 | 0V | -Vout |
| 5 | NC | 0V |
| 6 | +Vout | +Vout |

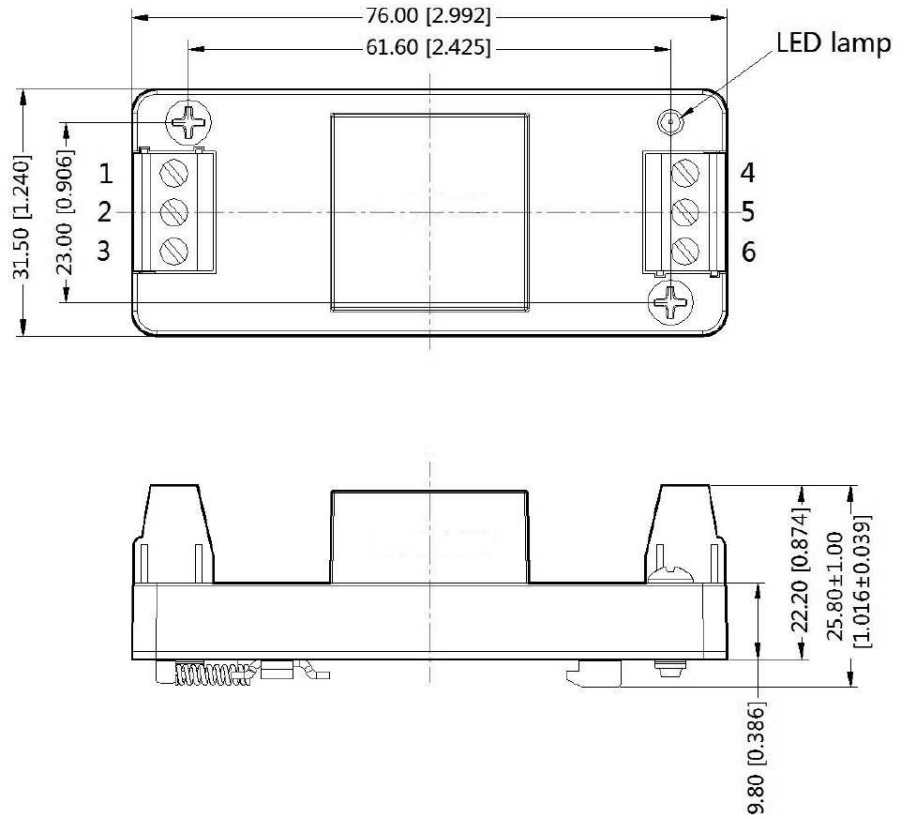


MECHANICAL DRAWING (DIN-RAIL)

units: mm [inch]
tolerance: $\pm 0.50[\pm 0.020]$

installed on DIN rail TS35
wire range: 24~12 AWG
tightening torque: max 0.4 N*m

| PIN CONNECTIONS | | |
|-----------------|----------|-------|
| PIN | Function | |
| | Single | Dual |
| 1 | CTRL | CTRL |
| 2 | GND | GND |
| 3 | Vin | Vin |
| 4 | 0V | -Vout |
| 5 | NC | 0V |
| 6 | +Vout | +Vout |



APPLICATION CIRCUIT

This series has been tested according to the following recommended circuits (Figures 1 & 2) before leaving the factory. If you want to further reduce the input and output ripple, you can increase the input and output capacitors or select capacitors of low equivalent impedance provided that the capacitance is less than the maximum capacitive load of the model.

Figure 1
Single Output Models



Figure 2
Dual Output Models



Table 1

| Vin (Vdc) | Cin (μF) | Cout (μF) |
|-----------|----------|-----------|
| 24 | 100 | 10 |
| 48 | 10~47 | 10 |

EMC RECOMMENDED CIRCUIT

Figure 3

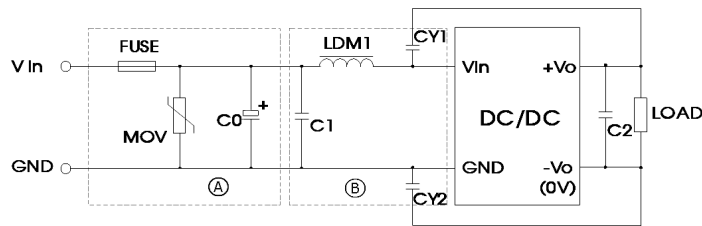


Table 2

| Recommended External Circuit Components | | |
|---|--|----------------|
| Vin (Vdc) | 24 | 48 |
| FUSE | choose according to actual input current | |
| MOV | S20K30 | S14K60 |
| C0 | 330 μF / 50 V | 330 μF / 100 V |
| C1 | 1 μF / 50 V | 1 μF / 100 V |
| C2 | 10 μF | |
| LDM1 | 4.7 μH | |
| CY1, CY2 | 1 nF / 2 kV | |

PACKAGING (DIP)

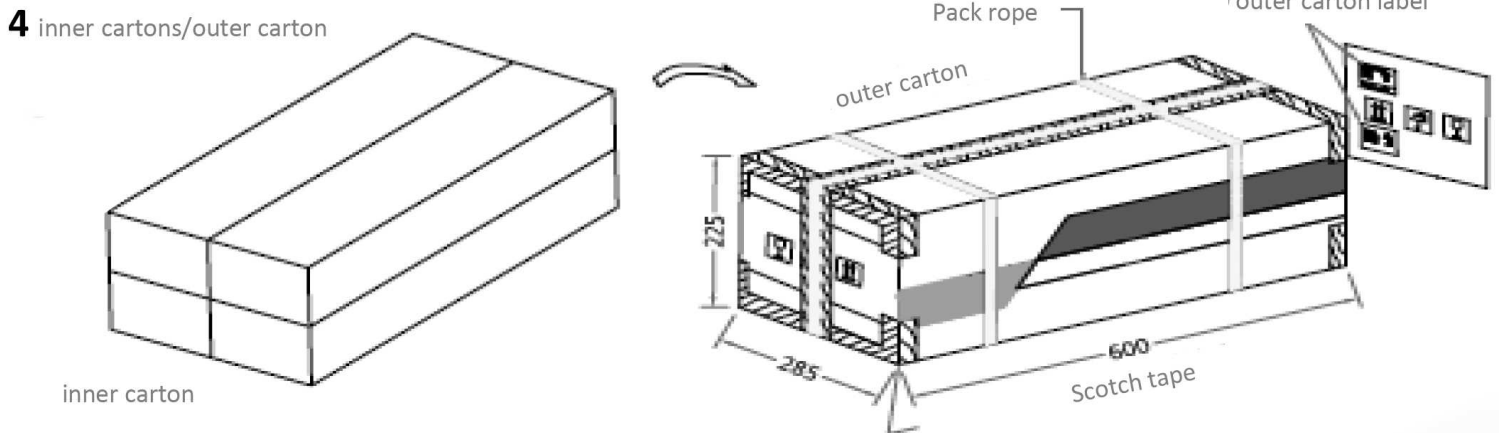
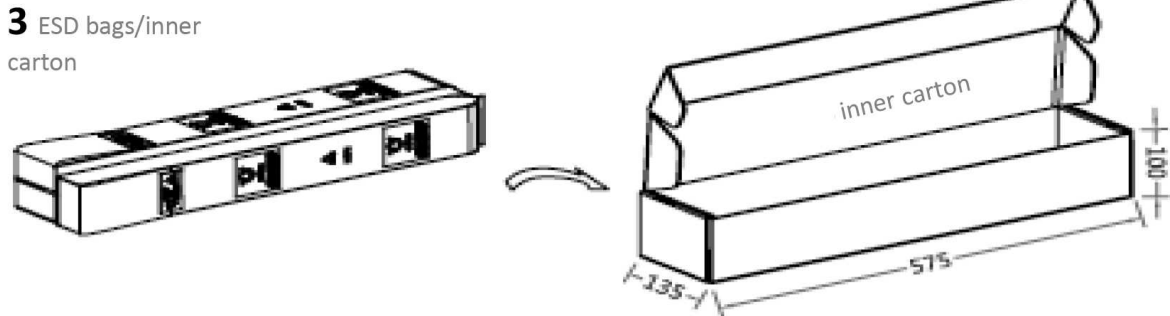
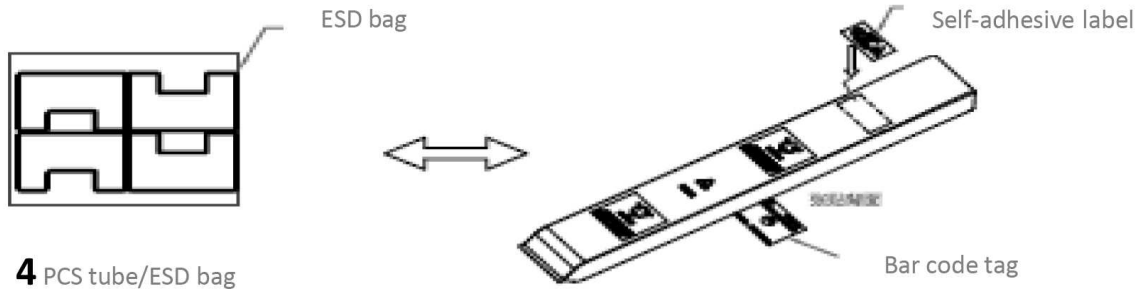
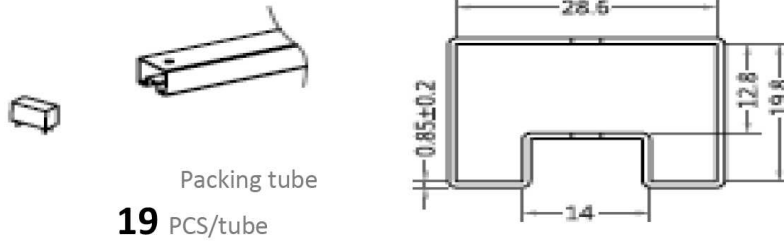
units: mm

Tube Size: 28.6 x 19.8 mm

Inner Carton Size: 575 x 135 x 100 mm

Outer Carton Size: 600 x 285 x 225 mm

Outer Carton QTY: 912 pcs



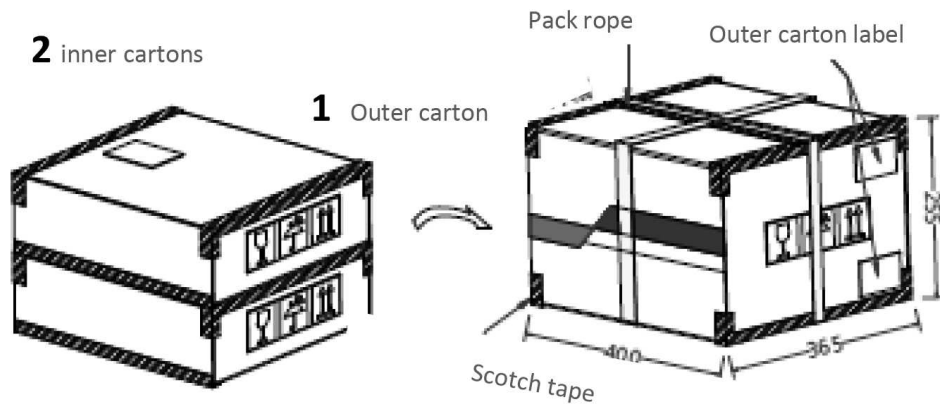
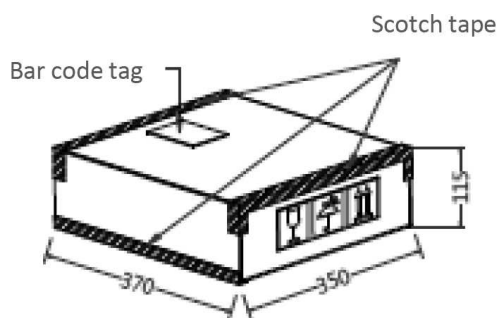
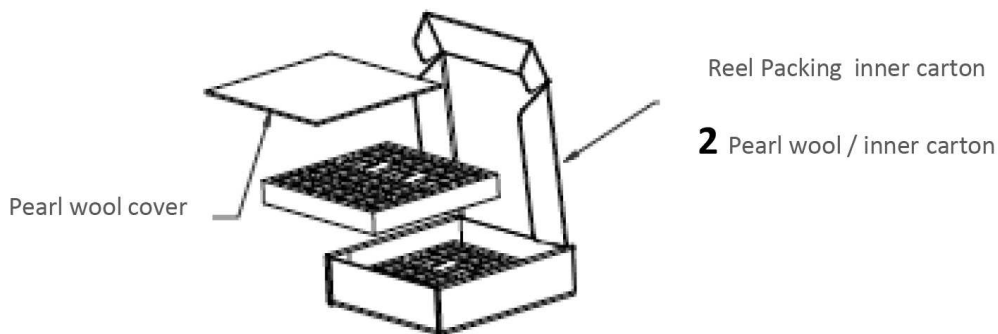
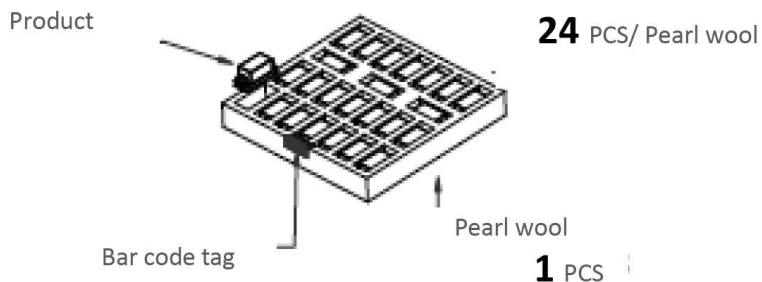
PACKAGING (CHASSIS, DIN-RAIL MOUNT)

units: mm

Inner Carton Size: 370 x 350 x 115 mm

Outer Carton Size: 400 x 365 x 255 mm

Outer Carton QTY: 912 pcs



REVISION HISTORY

| rev. | description | date |
|------|-----------------|------------|
| 1.0 | initial release | 06/21/2018 |

The revision history provided is for informational purposes only and is believed to be accurate.



Headquarters
20050 SW 112th Ave.
Tualatin, OR 97062
800.275.4899

Fax 503.612.2383
cui.com
techsupport@cui.com

CUI offers a two (2) year limited warranty. Complete warranty information is listed on our website.

CUI reserves the right to make changes to the product at any time without notice. Information provided by CUI is believed to be accurate and reliable. However, no responsibility is assumed by CUI for its use, nor for any infringements of patents or other rights of third parties which may result from its use.

CUI products are not authorized or warranted for use as critical components in equipment that requires an extremely high level of reliability. A critical component is any component of a life support device or system whose failure to perform can be reasonably expected to cause the failure of the life support device or system, or to affect its safety or effectiveness.