



Chipsmall Limited consists of a professional team with an average of over 10 year of expertise in the distribution of electronic components. Based in Hongkong, we have already established firm and mutual-benefit business relationships with customers from,Europe,America and south Asia,supplying obsolete and hard-to-find components to meet their specific needs.

With the principle of “Quality Parts,Customers Priority,Honest Operation,and Considerate Service”,our business mainly focus on the distribution of electronic components. Line cards we deal with include Microchip,ALPS,ROHM,Xilinx,Pulse,ON,Everlight and Freescale. Main products comprise IC,Modules,Potentiometer,IC Socket,Relay,Connector.Our parts cover such applications as commercial,industrial, and automotives areas.

We are looking forward to setting up business relationship with you and hope to provide you with the best service and solution. Let us make a better world for our industry!



Contact us

Tel: +86-755-8981 8866 Fax: +86-755-8427 6832

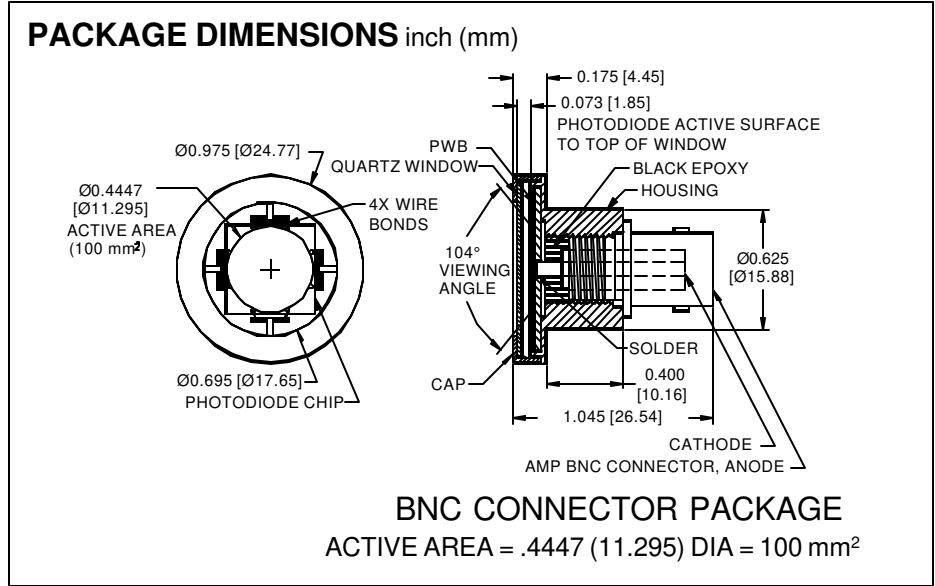
Email & Skype: info@chipsmall.com Web: www.chipsmall.com

Address: A1208, Overseas Decoration Building, #122 Zhenhua RD., Futian, Shenzhen, China



PHOTONIC DETECTORS INC.

Silicon Photodiode, U.V. Enhanced Photoconductive Type PDU-C112-Q



FEATURES

- High speed
- U.V. enhanced
- Low capacitance
- Quartz window

DESCRIPTION

The **PDU-C112-Q** is a large area, instrumentation grade, U.V. enhanced silicon photodiode. Designed for low capacitance high speed photoconductive applications. Packaged in a BNC connector package.

APPLICATIONS

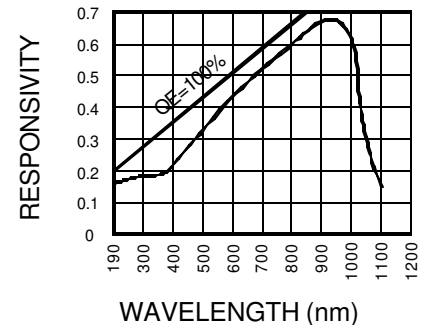
- Instrumentation
- Power meters
- Colorimeters
- Laser power meters

ABSOLUTE MAXIMUM RATING (TA=25°C unless otherwise noted)

SYMBOL	PARAMETER	MIN	MAX	UNITS
VBR	Reverse Voltage		30	V
TS	Storage Temperature	-20	+70	°C
TO	Operating Temperature Range	-10	+60	°C
TS	Soldering Temperature*	N/A	N/A	°C
I _{max}	Light Current		500	mA

*1/16 inch from case for 3 secs max

SPECTRAL RESPONSE



ELECTRO-OPTICAL CHARACTERISTICS (TA=25°C unless otherwise noted)

SYMBOL	CHARACTERISTIC	TEST CONDITIONS	MIN	TYP	MAX	UNITS
ISC	Short Circuit Current	H = 100 fc, 2850 K	1.0	1.3		mA
I _D	Dark Current	H = 0, V _R = 5 V		10	30	nA
RSH	Shunt Resistance	H = 0, V _R = 10 mV	7	15		MΩ
TCRSH	RSH Temp. Coefficient	H = 0, V _R = 10 mV		-8		% / °C
CJ	Junction Capacitance	H = 0, V _R = 5 V**		600		pF
λ _{range}	Spectral Application Range	Spot Scan	190		1100	nm
R	Responsivity	V _R = 0 V, λ = 254 nm	.12	.18		A/W
VBR	Breakdown Voltage	I = 10 μA	15	25		V
NEP	Noise Equivalent Power	V _R = 10 @ Peak		1.5x10 ⁻¹³		W/ √Hz
tr	Response Time	R _L = 1 KΩ V _R = 5 V		350		nS

Information in this technical data sheet is believed to be correct and reliable. However, no responsibility is assumed for possible inaccuracies or omission. Specifications are subject to change without notice. **f = 1 MHz

[FORM NO. 100-PDU-C112-Q REV N/C]