



Chipsmall Limited consists of a professional team with an average of over 10 year of expertise in the distribution of electronic components. Based in Hongkong, we have already established firm and mutual-benefit business relationships with customers from,Europe,America and south Asia,supplying obsolete and hard-to-find components to meet their specific needs.

With the principle of “Quality Parts,Customers Priority,Honest Operation,and Considerate Service”,our business mainly focus on the distribution of electronic components. Line cards we deal with include Microchip,ALPS,ROHM,Xilinx,Pulse,ON,Everlight and Freescale. Main products comprise IC,Modules,Potentiometer,IC Socket,Relay,Connector.Our parts cover such applications as commercial,industrial, and automotives areas.

We are looking forward to setting up business relationship with you and hope to provide you with the best service and solution. Let us make a better world for our industry!



## Contact us

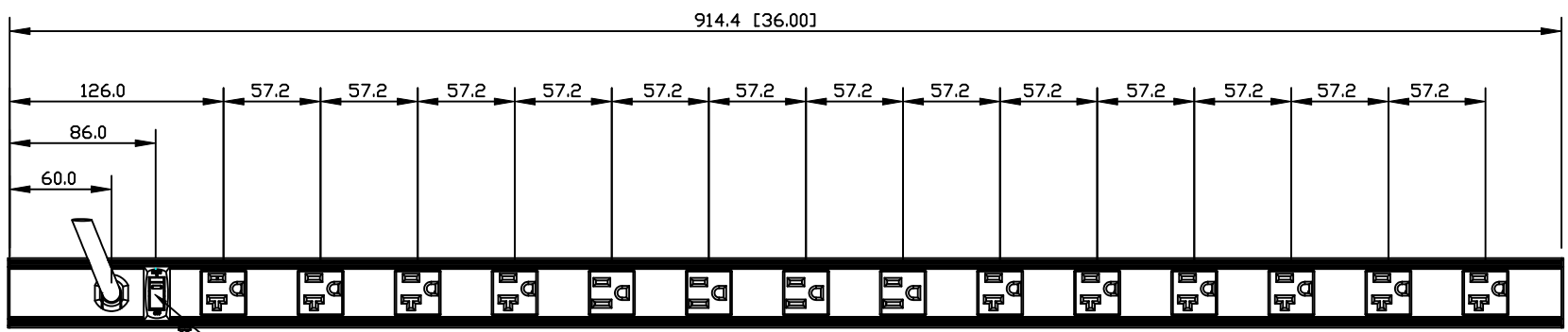
Tel: +86-755-8981 8866 Fax: +86-755-8427 6832

Email & Skype: info@chipsmall.com Web: www.chipsmall.com

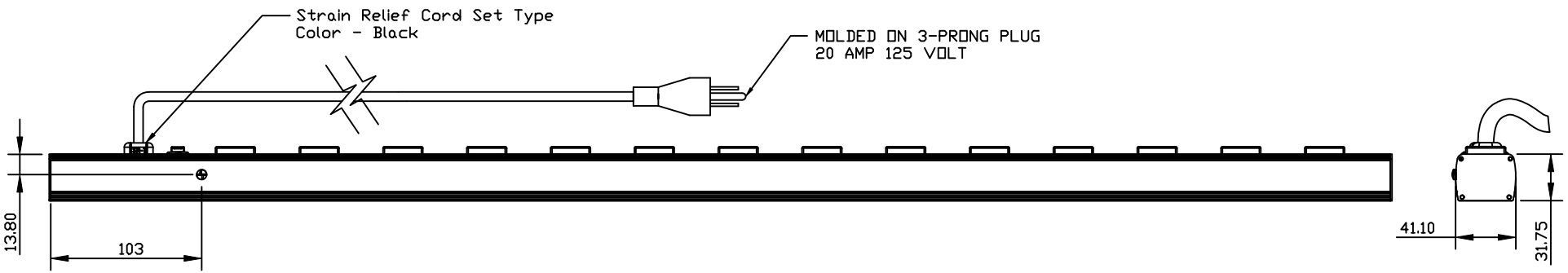
Address: A1208, Overseas Decoration Building, #122 Zhenhua RD., Futian, Shenzhen, China



REVISIONS				
ZONE	REV.	DESCRIPTION	DATE	APPROVED
X		Outlet Definition		WB
1		Safety and Regulatory	2/19/2016	WB
2		Production Level Spec.	3/21/2016	WB



ON/OFF Switch (Illuminated) 20 AMP  
RED Transparent Illuminated "ON" Position.



Part Description	Zero U Rack Mount PDU, 14 Outlets, 20A WMP, Circuit Breaker
Delta Part Number	PDU1420-VM
Finish	Powder Coat Black
Safety	UL/cUL (UL1363)
Cord Length & AWG	15' (12 AWG x 3)
Connector - AC Input	NEMA L5-20P
Connector - AC Output	NEMA 5-20R

**DELTA** 達電子工業股份有限公司  
LTA ELECTRONICS, INC.

THESE DRAWINGS AND SPECIFICATIONS ARE THE PROPERTY OF DELTA ELECTRONICS, INC. AND SHALL NOT BE REPRODUCED OR USED AS THE BASIS FOR THE MANUFACTURE OR SELL OF APPARATUS OR DEVICES WITHOUT PERMISSION.

**DELTA** LTA ELECTRONICS, INC.

100% INSULATION TEST

SCALE: UNIT: MM USED ON

Drawn	ID-3D Design	Safety	
Design		Layout	
Checked		IE:	
Approved	W. Bradshaw	EE. Chiu	
Material	Aluminum	EE. Apud	
Description	ZERO U VERTICAL MOUNT PDU		
Part No.	PDU1420-VM	REV.	2
SHEET 1 OF 1	ISSUE DATE: 23 MAR 16		