



Chipsmall Limited consists of a professional team with an average of over 10 year of expertise in the distribution of electronic components. Based in Hongkong, we have already established firm and mutual-benefit business relationships with customers from,Europe,America and south Asia,supplying obsolete and hard-to-find components to meet their specific needs.

With the principle of “Quality Parts,Customers Priority,Honest Operation,and Considerate Service”,our business mainly focus on the distribution of electronic components. Line cards we deal with include Microchip,ALPS,ROHM,Xilinx,Pulse,ON,Everlight and Freescale. Main products comprise IC,Modules,Potentiometer,IC Socket,Relay,Connector.Our parts cover such applications as commercial,industrial, and automotives areas.

We are looking forward to setting up business relationship with you and hope to provide you with the best service and solution. Let us make a better world for our industry!



## Contact us

Tel: +86-755-8981 8866 Fax: +86-755-8427 6832

Email & Skype: info@chipsmall.com Web: www.chipsmall.com

Address: A1208, Overseas Decoration Building, #122 Zhenhua RD., Futian, Shenzhen, China



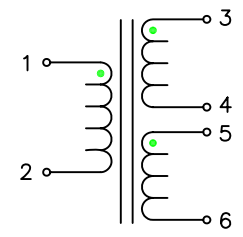
PE-64972NL

NOTICE: THE INFORMATION AND DESIGN CONTAINED HEREIN IS THE PROPERTY OF PULSE WHO RESERVES ALL RIGHTS THERETO.

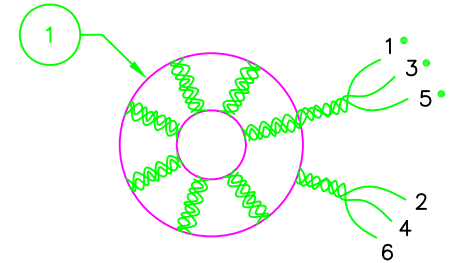
WINDING DATA

MANDREL: \_\_\_\_\_ FORM: \_\_\_\_\_ CORE: ITEM 1

WINDING			
WIRE SIZE			
TRAVERSE			
TURNS PER LAYER			
LAYER INSULATION			
NUMBER OF LAYERS			
TOTAL TURNS			
WRAPPER			
LEAD IDENTIFICATION			



SCHEMATIC



LEAD BREAKOUT  
(TURNS SHOWN ARE NOT EXACT)  
FIGURE 1

TEST NOTES:

UNLESS OTHERWISE SPECIFIED, TESTING IS PERFORMED AT 25°C ±5°C.

1. TURNS RATIO:  
1:1:1 ±5%
2. INDUCTANCE: AT 500 KHz, 20 mV  
(1-2) = 70 uH MINIMUM
3. LEAKAGE: AT 500 KHz, 20 mV  
(1-2) WITH (3-4) SHORT = 180 nH MAXIMUM  
(1-2) WITH (5-6) SHORT = 180 nH MAXIMUM
4. D.C. RESISTANCE:  
(1-2) = .05 OHM MAXIMUM
5. ET: AT 10 KHz  
9 uSEC MINIMUM METHOD 1
6. CAPACITANCE: AT 500 KHz, 20 mV  
(1-2 SH) TO (3-4 SH) = 5 pF MAXIMUM  
(1-2 SH) TO (5-6 SH) = 5 pF MAXIMUM
7. HIPOT: 1500 VRMS AT 60 Hz FOR 6 SECONDS.

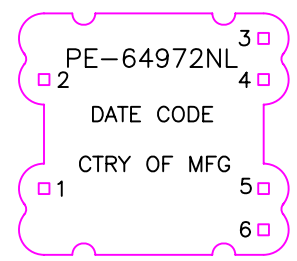
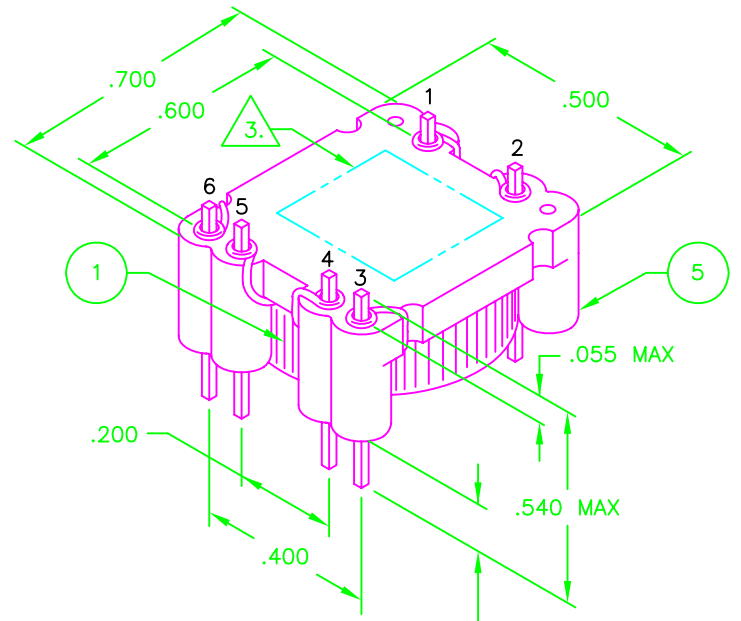


FIGURE 3



FINAL OUTLINE  
FIGURE 2

UNLESS OTHERWISE SPECIFIED, ALL DIMENSIONS ARE IN INCHES. TOLERANCES ARE:  
DECIMALS .XX ±.01 ANGLES ± 1'  
.XXX ±.005  
DO NOT SCALE DRAWING

SIZE	CAGE CODE	DWG. NO.	REV
NONE	B01961	PE-64972NL	10
SCALE	CADD FILE	SHEET	
	PE-64972NL-2	2 OF 2	