



Chipsmall Limited consists of a professional team with an average of over 10 year of expertise in the distribution of electronic components. Based in Hongkong, we have already established firm and mutual-benefit business relationships with customers from,Europe,America and south Asia,supplying obsolete and hard-to-find components to meet their specific needs.

With the principle of “Quality Parts,Customers Priority,Honest Operation,and Considerate Service”,our business mainly focus on the distribution of electronic components. Line cards we deal with include Microchip,ALPS,ROHM,Xilinx,Pulse,ON,Everlight and Freescale. Main products comprise IC,Modules,Potentiometer,IC Socket,Relay,Connector.Our parts cover such applications as commercial,industrial, and automotives areas.

We are looking forward to setting up business relationship with you and hope to provide you with the best service and solution. Let us make a better world for our industry!



Contact us

Tel: +86-755-8981 8866 Fax: +86-755-8427 6832

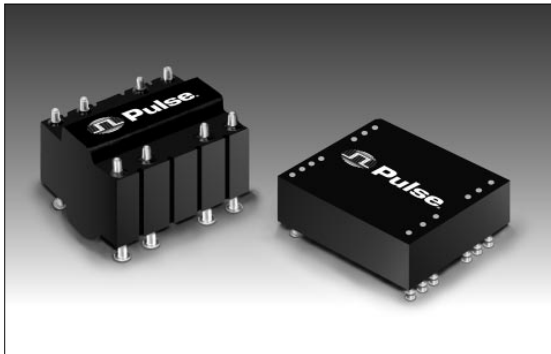
Email & Skype: info@chipsmall.com Web: www.chipsmall.com




Address: A1208, Overseas Decoration Building, #122 Zhenhua RD., Futian, Shenzhen, China



FLYBACK TRANSFORMERS

Designed for National's 100 KHz Simple Switcher™

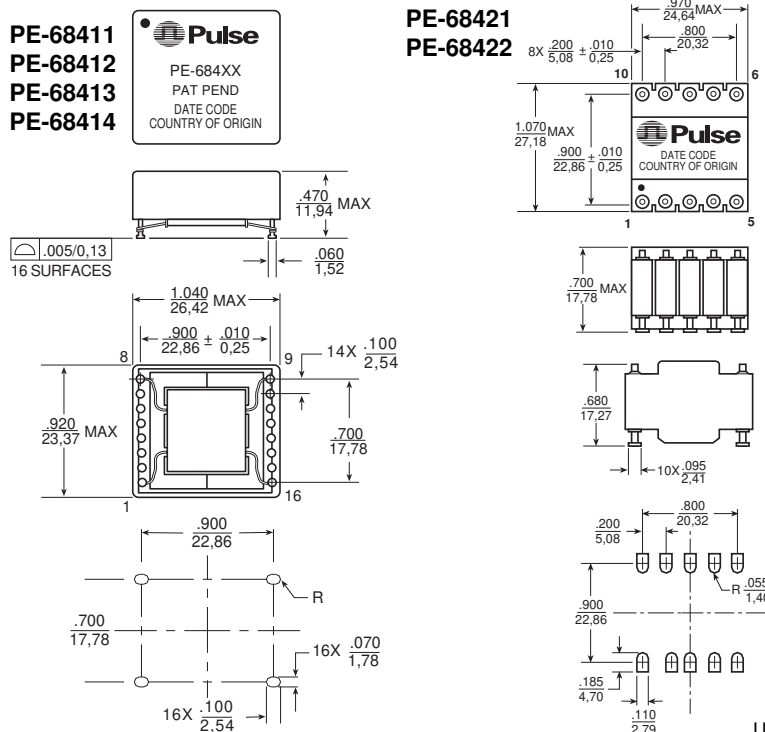


-  Designed for use with National's device numbers LM2585/86 and LM2587/88
-  Surface mount
-  Performance verified by National Semiconductor

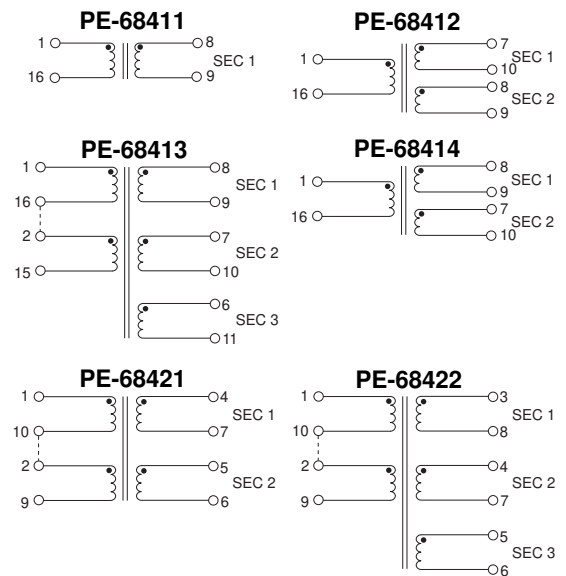
Electrical Specifications @ 25°C — Operating Temperature -30°C to 130°C

Pulse Part Number	L _p (μHy NOM)	I _{IN} peak	V _{IN} (V _{DC})	V _{OUT 1} (V _{DC})	V _{OUT 2} (V _{DC})	V _{OUT 3} (V _{DC})	I _{OUT 1}	I _{OUT 2}	I _{OUT 3}	Turns Ratio	DCR Primary (Ω MAX)	DCR Sec 1 (Ω MAX)	DCR Sec 2 (Ω MAX)	DCR Sec 3 (Ω MAX)
PE-68411	22	4.85	4-6	3.3	—	—	1.8	—	—	1:1	0.04	0.04	—	—
			4-6	5	—	—	1.4	—	—					
			8-16	12	—	—	1.2	—	—					
PE-68412	22	5.00	4-6	12	-12	—	0.3	0.3	—	1:2.5:2.5	0.04	0.5	0.5	—
PE-68413	66	2.99	18-36	5	12	-12	1.8	0.25	0.25	1:0.5:1.15:1.15	0.30	0.04	0.80	0.80
PE-68414	65	2.98	18-36	12	-12	—	0.63	0.63	—	1:1.2:1.2	0.055	0.25	0.25	—
PE-68421	85	4.90	18-36	12	-12	—	1	1	—	1:0.8:0.8	0.12	0.22	0.22	—
PE-68422	85	4.92	18-36	5	12	-12	2.5	0.5	0.5	1:0.35:0.8:0.8	0.14	0.025	0.25	0.25

Mechanicals



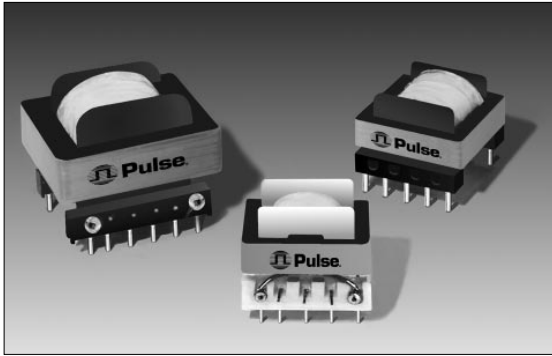
Schematics






Unless otherwise specified, all tolerances are ± $\frac{.010}{0,25}$ Dimensions: $\frac{\text{inches}}{\text{mm}}$

FLYBACK TRANSFORMERS

Designed for National's 52 KHz Simple Switcher™



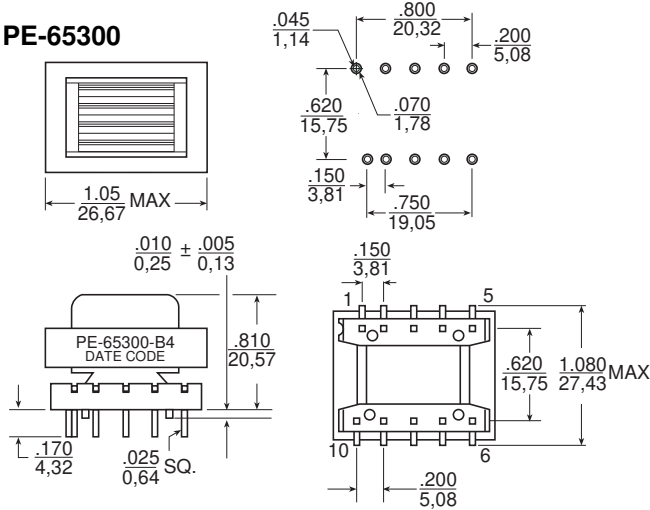
-  Designed for use with National's device numbers LM1577/LM2577
-  Base material meets flammability requirements of UL 94V-0
-  Performance verified by National Semiconductor

Electrical Specifications @ 25°C — Operating Temperature -30°C to 130°C

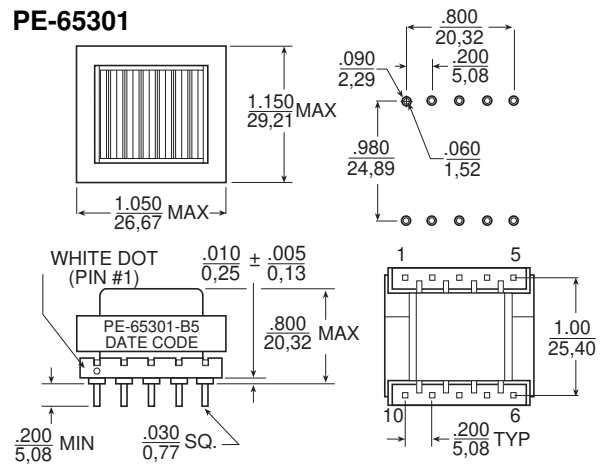
Part Number	Turns Ratio (± 3%)	Primary Inductance (± 10% μH)	Leakage Inductance (μH MAX)	PRI DCR (Ω MAX)	SEC DCR (Ω MAX)	Hipot (Vrms)
PE-65300	1:2 CT	100	1	.058	.450	600
PE-65301	1:1 CT	200	5	.075	.380	600
PE-65302	1:1 CT	400	10	.155	.260	600

Mechanicals

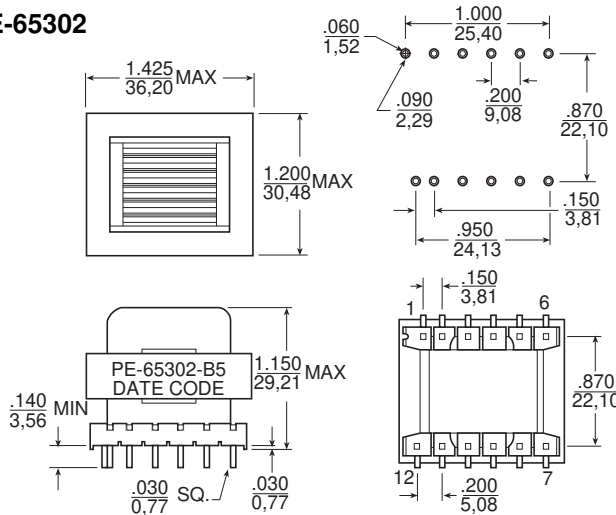
PE-65300



PE-65301

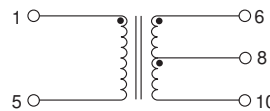


PE-65302

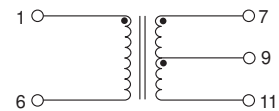


Schematics

PE-65300 & PE-65301



PE-65302



Dimensions: $\frac{\text{Inches}}{\text{mm}}$
 Unless otherwise specified, all tolerances are $\pm \frac{.010}{0.25}$