



Chipsmall Limited consists of a professional team with an average of over 10 year of expertise in the distribution of electronic components. Based in Hongkong, we have already established firm and mutual-benefit business relationships with customers from,Europe,America and south Asia,supplying obsolete and hard-to-find components to meet their specific needs.

With the principle of “Quality Parts,Customers Priority,Honest Operation,and Considerate Service”,our business mainly focus on the distribution of electronic components. Line cards we deal with include Microchip,ALPS,ROHM,Xilinx,Pulse,ON,Everlight and Freescale. Main products comprise IC,Modules,Potentiometer,IC Socket,Relay,Connector.Our parts cover such applications as commercial,industrial, and automotives areas.

We are looking forward to setting up business relationship with you and hope to provide you with the best service and solution. Let us make a better world for our industry!



## Contact us

Tel: +86-755-8981 8866 Fax: +86-755-8427 6832

Email & Skype: info@chipsmall.com Web: www.chipsmall.com

Address: A1208, Overseas Decoration Building, #122 Zhenhua RD., Futian, Shenzhen, China



**Product Description**

The PE42750 is an SPDT UltraCMOS<sup>®</sup> Switch designed for Broadband applications such as CATV, DTV, Multi-Tuner Digital Video Recorder (DVR), Set-top Box, PCTV and Video Game Consoles. The PE42750 meets FCC 15.115 specification of 80 dB isolation at 216 MHz in both powered and unpowered states. The PE42750 covers a broad frequency range from 5 MHz to 2200 MHz with a single positive supply and CMOS control. The PE42750 provides a smaller, cost effective, more reliable and manufacturable alternative to mechanical relays in set-top box applications.

The PE42750 is manufactured using Peregrine's UltraCMOS<sup>®</sup> process, a patented variation of silicon-on-insulator (SOI) technology on a sapphire substrate, offering the performance of GaAs with the economy and integration of conventional CMOS.

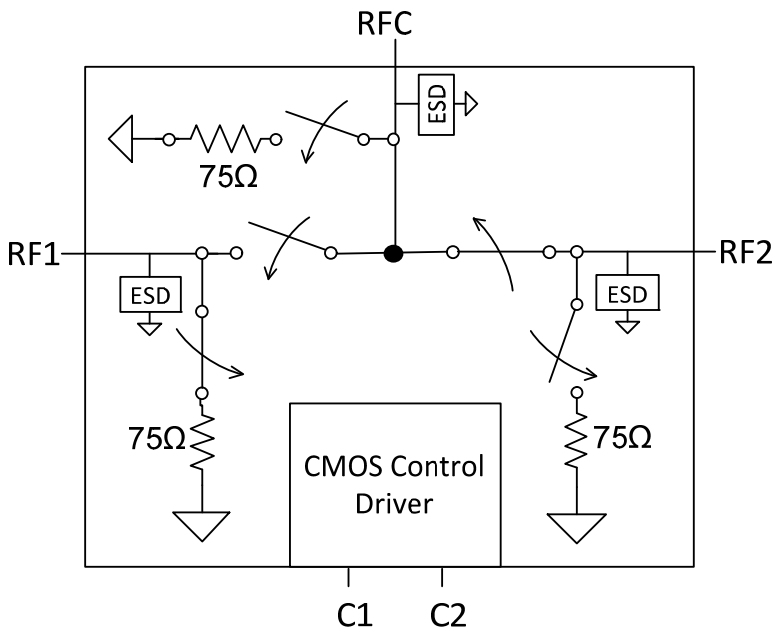
**75 Ω Terminated 5 - 2200 MHz SPDT  
CATV UltraCMOS<sup>®</sup> Switch  
Featuring Unpowered Operation**

**Features**

- Meets FCC 15.115 isolation specification
- All ports terminated when unpowered
- 2000V HBM ESD tolerance, all ports
- High isolation: 63 dB at 1000 MHz
- Low insertion loss, typical:
  - 0.7 dB at 5 MHz
  - 1.0 dB at 1000 MHz
- CMOS single-pin control with logic select
- Single +3 volt supply operation
- Low current consumption: 8 μA
- Absorptive Switch Design

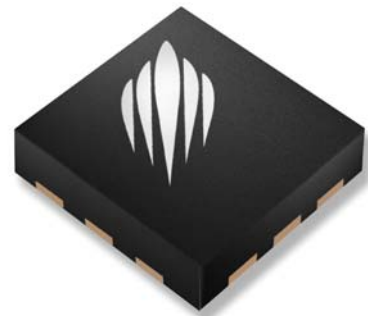
**Figure 1. Functional Diagram**

Peregrine Specification 71-0013



**Figure 2. Package Type**

12-lead 3 x 3 x 0.75 mm QFN



**Table 1. Electrical Specifications @ +25°C, V<sub>DD</sub> = +3V (Z<sub>S</sub> = Z<sub>L</sub> = 75Ω)**

Parameter	Condition	Minimum	Typical	Maximum	Units
Operating Frequency		5		2200	MHz
Insertion Loss - RFX to RFC	5 to 220 MHz		0.7	0.8	dB
	221 to 550 MHz		0.8	0.9	
	551 to 810 MHz		0.9	1.0	
	811 to 870 MHz		0.9	1.0	
	871 to 2200 MHz		1.7	1.8	
Isolation - RFX to RFX <sup>3</sup>	5 to 220 MHz	80	84		dB
	221 to 550 MHz	70	76		
	551 to 810 MHz	65	72		
	811 to 870 MHz	65	71		
	871 to 2200 MHz	50	57		
Isolation - RFX to RFC	5 to 220 MHz	74	80		dB
	221 to 550 MHz	67	72		
	551 to 810 MHz	65	70		
	811 to 870 MHz	65	70		
	871 to 2200 MHz	51	55		
Return Loss - RFX to RFC	5 to 220 MHz		23		dB
	221 to 550 MHz		20		
	551 to 810 MHz		18		
	811 to 870 MHz		17		
	871 to 2200 MHz		10		
IIP2 RFX <sup>1</sup>	5-2200 MHz		100		dBm
IIP3 RFX <sup>1,4</sup>	5-2200 MHz		47.5		dBm
Input 1 dB Compression RFX or RFC <sup>1</sup>	1000 MHz	21.5	23.5		dBm
Switching time <sup>2</sup>	50% CTRL to 10/90% RF		2	3	μs
Video Feedthrough <sup>2</sup>			2		mVpp

- Notes:
1. Measured in a 50Ω system
  2. 0/3V on control pin, 1 ns rise time
  3. Minimum per FCC 15.115 spec
  4. 10 dBm per tone for 1:3 ratio of fundamental to IMD3 products

**Table 2. Electrical Characterization (Unpowered Operation)**

Parameter	Condition	Minimum	Typical	Maximum	Units
Operating Frequency		5		2200	MHz
Isolation RF1 to RF2	5 to 220 MHz	83	90		dB
	221 to 550 MHz	77	83		
	551 to 810 MHz	73	79		
	811 to 870 MHz	73	79		
	871 to 2200 MHz	65	72		

Figure 3. Pin Configuration (Top View)

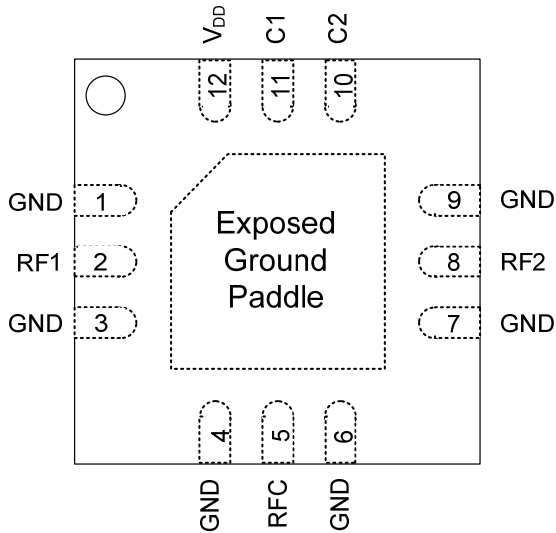


Table 3. Pin Descriptions

No.	Name	Description
1	GND	RF Ground
2	RF1 <sup>1</sup>	RF I/O
3	GND	RF Ground
4	GND	RF Ground
5	RFC <sup>1</sup>	RF Common
6	GND	RF Ground
7	GND	RF Ground
8	RF2 <sup>1</sup>	RF I/O
9	GND	RF Ground
10	C2 <sup>2</sup>	Control 2 (or logic select)
11	C1 <sup>2</sup>	Control 1 (or logic select)
12	V <sub>DD</sub>	Supply
Pad	GND	Exposed Ground Paddle

- Notes:
1. RF pins 2, 5, and 8 must be at 0 VDC. The RF pins do not require DC blocking capacitors for proper operation if the 0 V DC requirement is met
  2. Pins 10 and 11 can be set for single pin control
  3. GND must be connected to exposed ground paddle to ensure good isolation

### Moisture Sensitivity Level

The Moisture Sensitivity Level rating for the PE42750 in the 12-lead 3 x 3 x 0.75 mm QFN package is MSL1.

### Switching Frequency

The PE42750 has a maximum 25 kHz switching rate.

### Latch-Up Avoidance

Unlike conventional CMOS devices, UltraCMOS<sup>®</sup> devices are immune to latch-up.

Table 4. Operating Conditions @ 25°C

Parameter	Min	Typ	Max	Unit
V <sub>DD</sub> Power Supply	2.7	3.0	3.63	V
I <sub>DD</sub> Power Supply Current (V <sub>DD</sub> = 3V, V <sub>CNTL</sub> = 3V)		8		μA
Control Voltage High	0.7 x V <sub>DD</sub>		V <sub>DD</sub>	V
Control Voltage Low	0		0.3 x V <sub>DD</sub>	V
P <sub>RF</sub> RF power on RFC, RF1, RF2 Terminated/Through 75Ω			23/26	dBm
T <sub>OP</sub> Operating Temperature	-40		+85	°C

Operation should be restricted to the limits in the Operating Ranges table.

Table 5. Absolute Maximum Ratings

Parameter/Condition	Min	Max	Unit
V <sub>DD</sub> Power supply voltage	-0.3	4.0	V
V <sub>I</sub> Voltage on CTRL input	-0.3	V <sub>DD</sub> + 0.3	V
P <sub>RF</sub> RF power on RFC, RF1, RF2 Terminated/Through 75Ω		23/26	dBm
T <sub>ST</sub> Storage temperature	-55	+150	°C
V <sub>ESD</sub> ESD Voltage, HBM, MIL_STD 883, Method 3015.7		2000	V
V <sub>ESD</sub> MM ESD Voltage all pins JEDEC JESD22-A115-A		150	
V <sub>ESD</sub> CDM ESD Voltage JEDEC JESD22-C101D		1000	

Exceeding absolute maximum ratings may cause permanent damage. Operation between operating range maximum and absolute maximum for extended periods may reduce reliability.

### Electrostatic Discharge (ESD) Precautions

When handling this UltraCMOS<sup>®</sup> device, observe the same precautions that you would use with other ESD-sensitive devices. Although this device contains circuitry to protect it from damage due to ESD, precautions should be taken to avoid exceeding the rating specified.

Table 6. Truth Table<sup>1</sup>

V <sub>DD</sub>	C1	C2	RFC – RF1	RFC – RF2
OFF <sup>2</sup>	Low	Low	OFF	OFF
ON	Low	Low	ON	OFF
ON	Low	High	OFF	ON
ON	High	Low	OFF	ON
ON	High	High	ON	OFF

- Note:
1. A versatile logic table has been established to allow either C1 or C2 to act as a single pin control and in either polarity
  2. V<sub>DD</sub> at "OFF" represents an all terminated state



Performance Plots @ 25°C and 3.0V unless otherwise specified.

Figure 4. Nominal Insertion Loss (RFX-RFC)

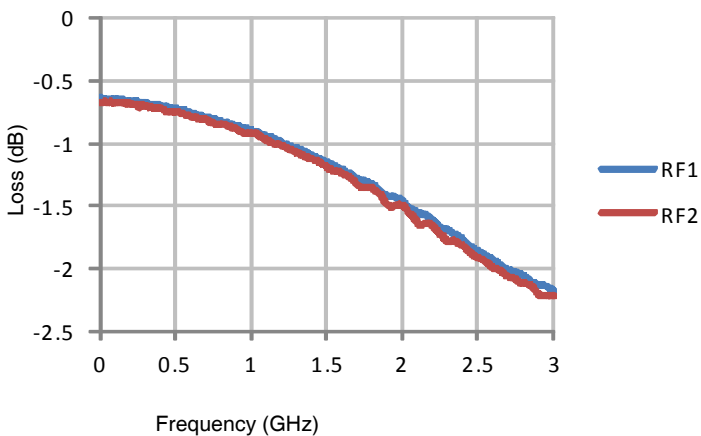


Figure 5. Insertion Loss vs Temperature (RFX-RFC)

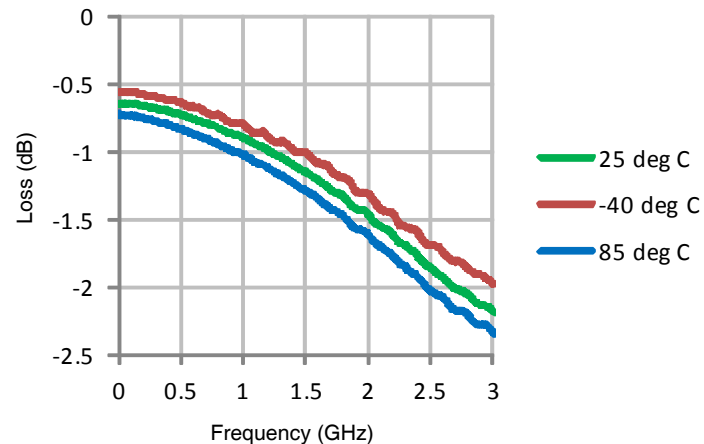


Figure 6. Insertion Loss vs V<sub>DD</sub> (RFX-RFC)

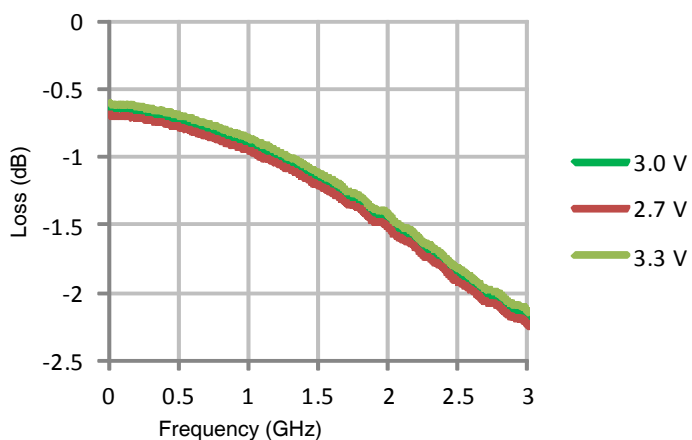


Figure 7. Active Port Return Loss vs Temperature (RFX)

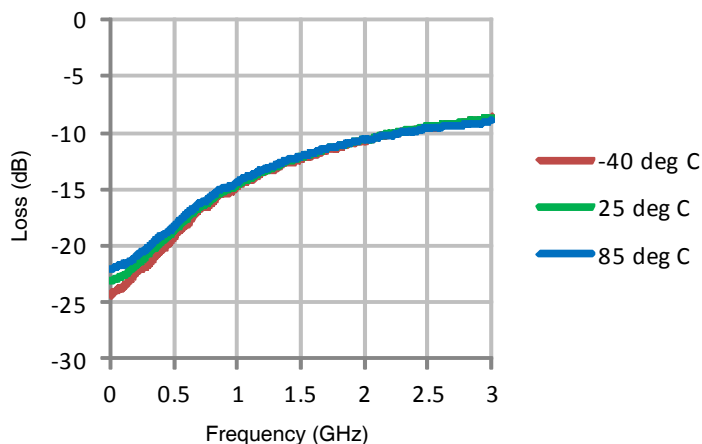


Figure 8. Active Port Return Loss vs V<sub>DD</sub> (RFX)

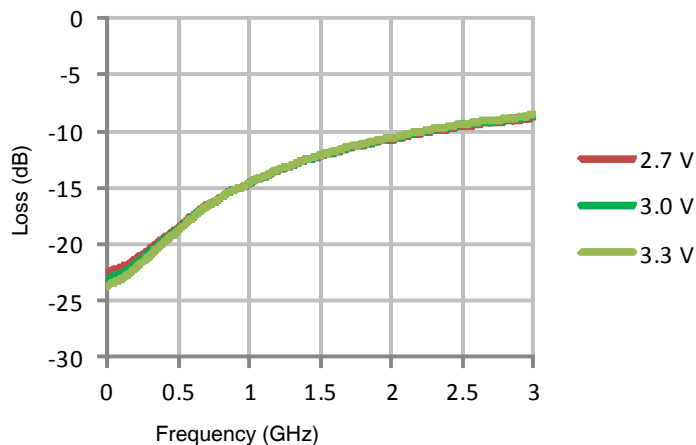


Figure 9. RFC Port Return Loss vs Temperature

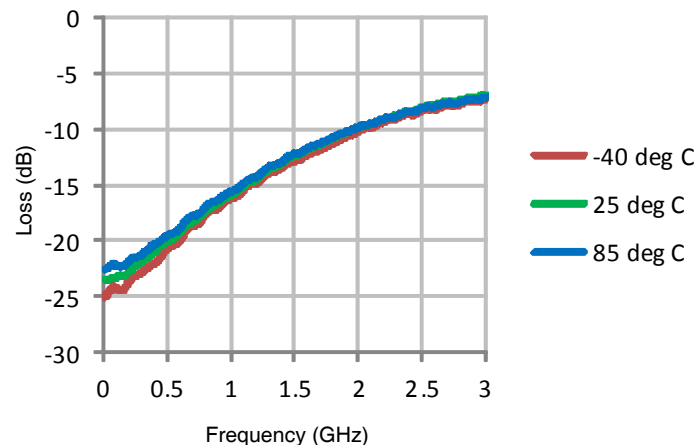


Figure 10. RFC Port Return Loss vs  $V_{DD}$

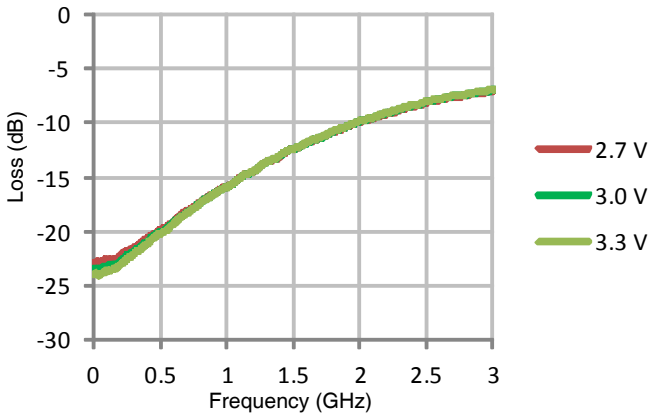


Figure 11. RF1-RF2 Isolation vs  $V_{DD}$

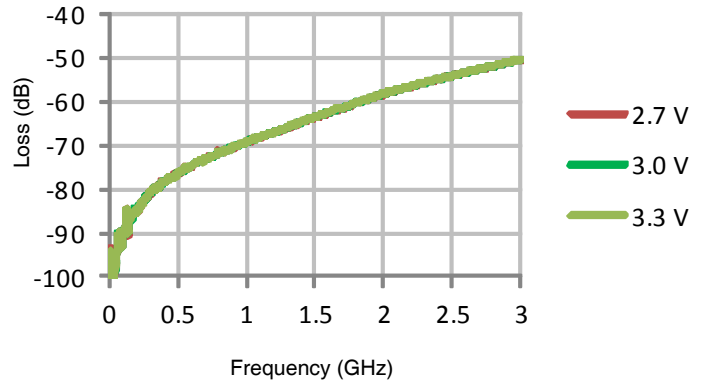


Figure 12. RF1-RF2 Isolation vs Temperature

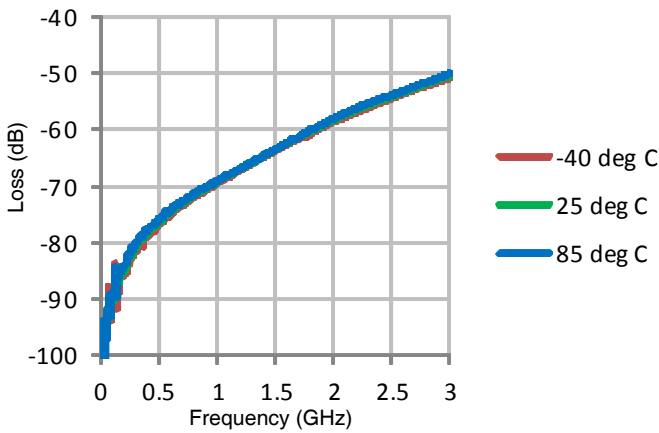


Figure 13. Unpowered RF1-RF2 Isolation

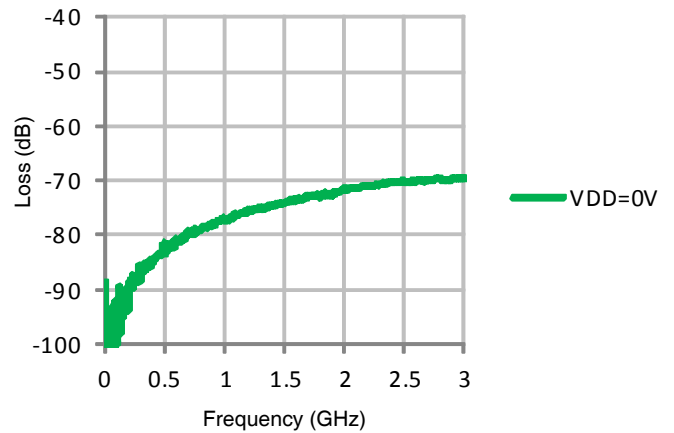
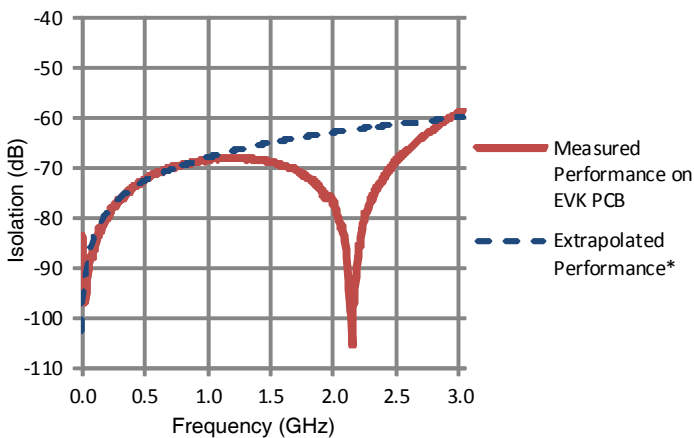
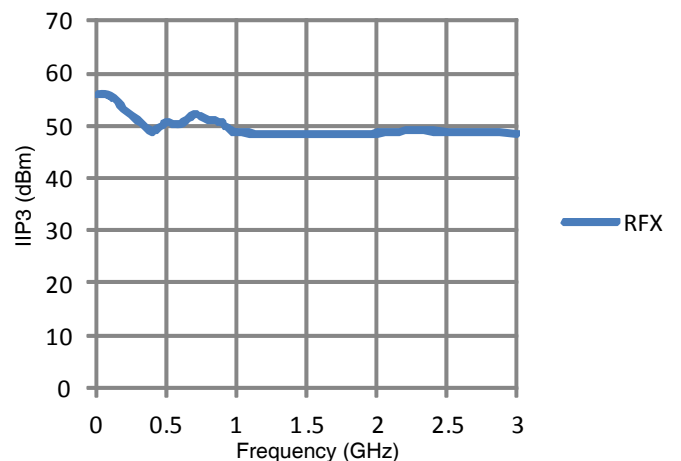


Figure 14. RFX-RFC Isolation



Note: EVK-PCB-related resonance removed from dataset. Extrapolated performance shown represents true performance of part.

Figure 15. Input IIP3 RFC-RFX



### Typical Applications

The PE42750 provides the high isolation required by FCC part 15.115 regulation between the television antenna and the cable plant. The advantage of the PE42750 is that device isolation performance is maintained when power is removed. When the PE42750 is unpowered all ports are terminated.

Figure 16. Typical Application (1 of 3)

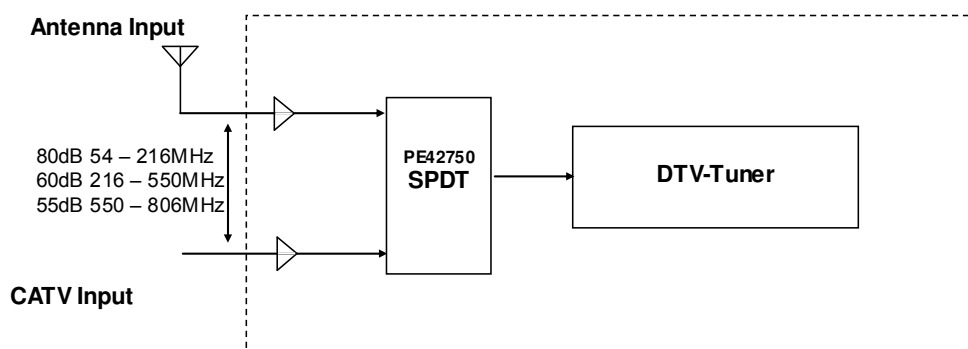


Figure 17. Typical Application (2 of 3)

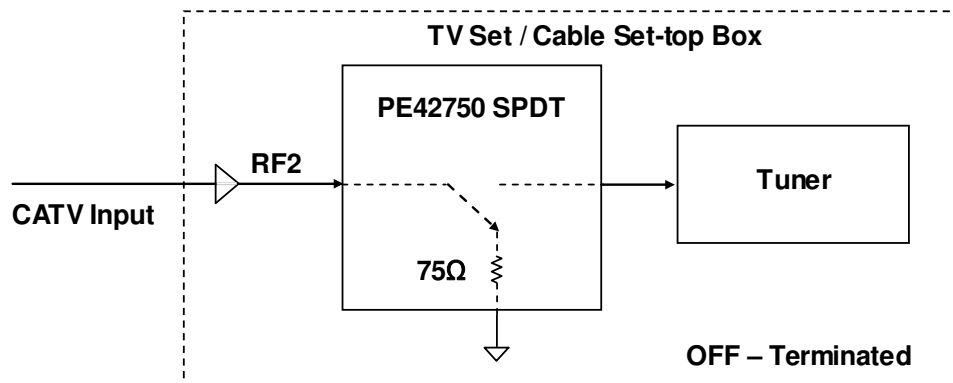
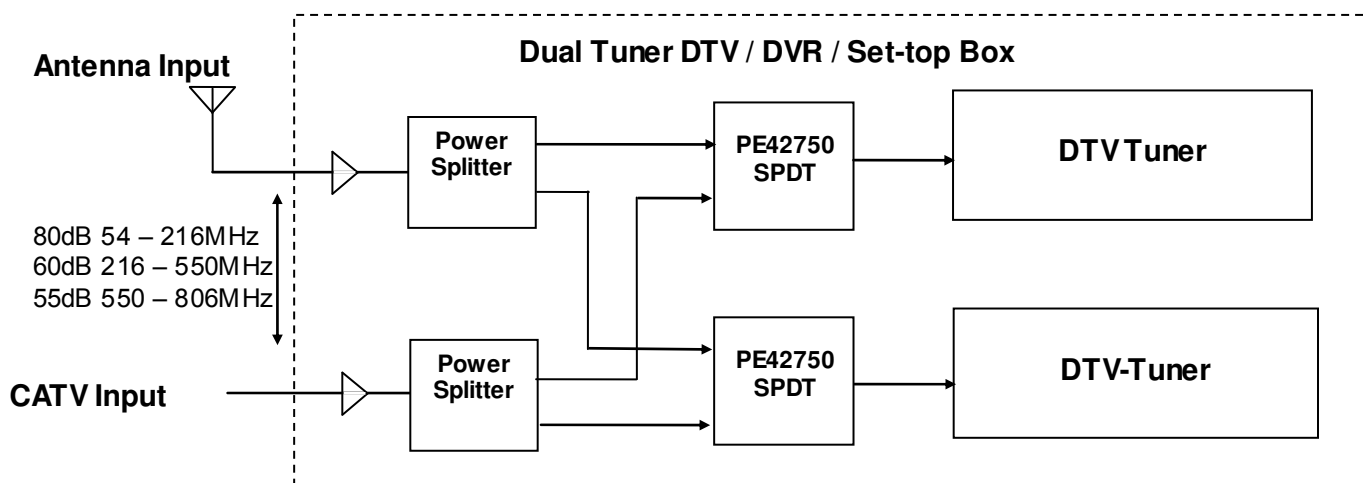


Figure 18. Typical Application (3 of 3)



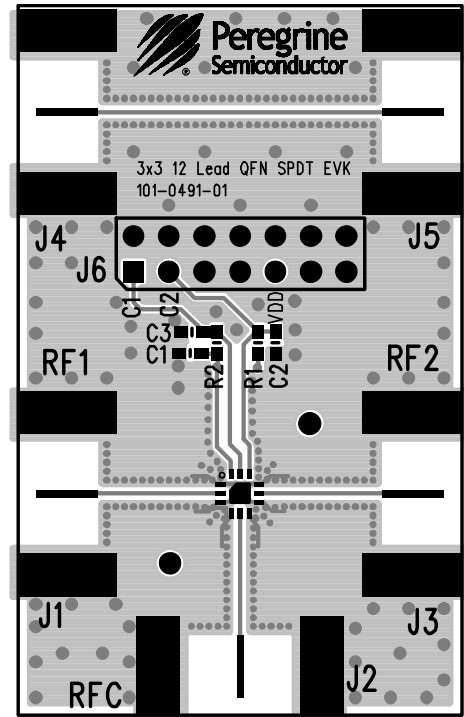
### Evaluation Kit Information

The SPDT Switch Evaluation Kit facilitates customer evaluation of the PE42750 SPDT switch. The RF common port is connected through a 75 Ω transmission line to J2. Ports 1 and 2 are connected through 75 Ω transmission lines to J1 and J3. A through line connects F connectors J4 and J5. This transmission line can be used to estimate the PCB loss over the environmental conditions. J6 provides DC and digital inputs to the device.

The board is composed of a two metal layer FR4 material with a total thickness of 0.032". The transmission lines are hybrid microstrip/coplanar waveguide with ground plane (28 mil core, 12 mil width, 12 mil gap).

The provided jumpers short the control pins to ground for logic low. With the jumper removed the control input rises to V<sub>DD</sub> for logic high through the 1 MΩ pull up resistor. These resistors will draw several microamps from V<sub>DD</sub>. They are not required for normal operation.

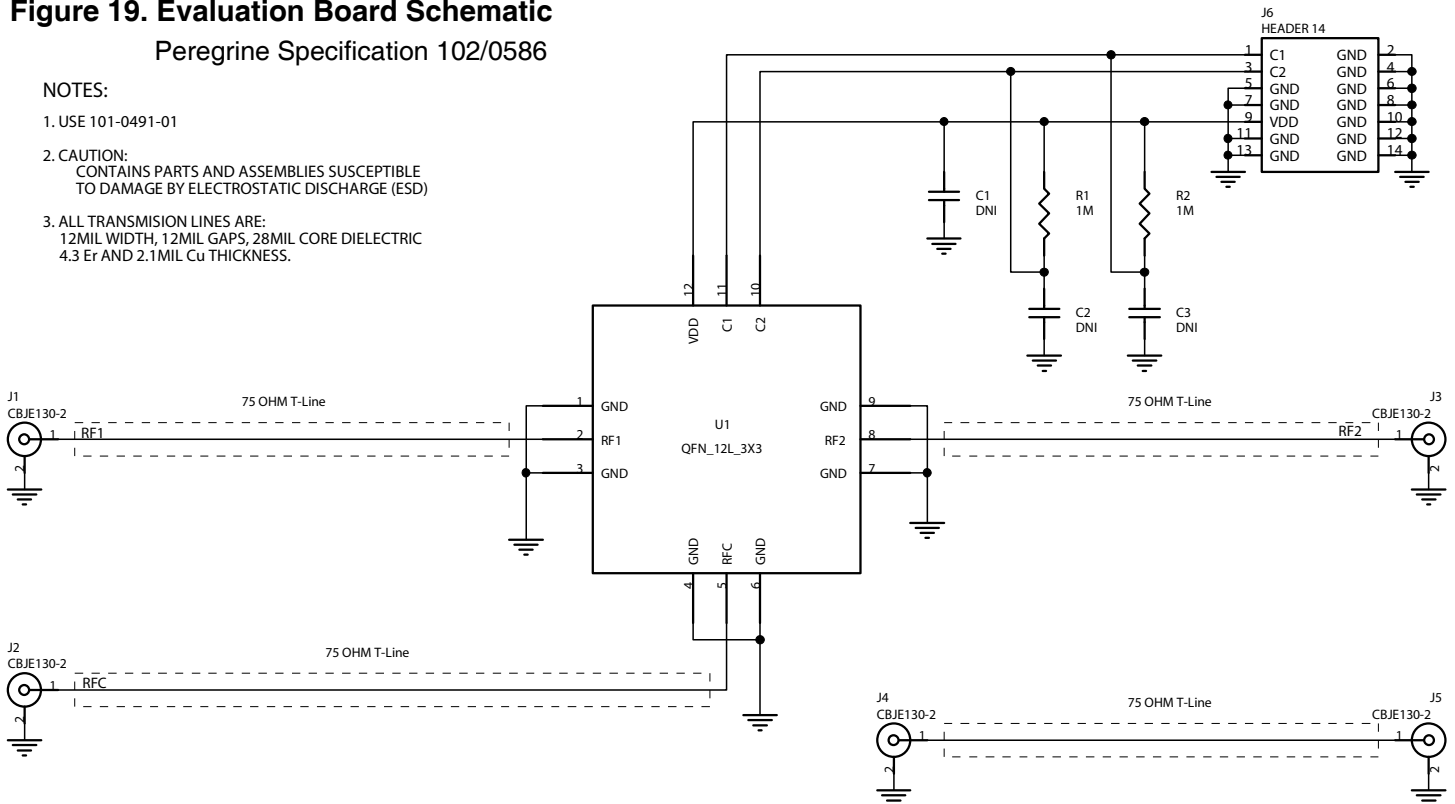
**Figure 20. Evaluation Board Layouts**  
Peregrine Specification 101/0491



**Figure 19. Evaluation Board Schematic**  
Peregrine Specification 102/0586

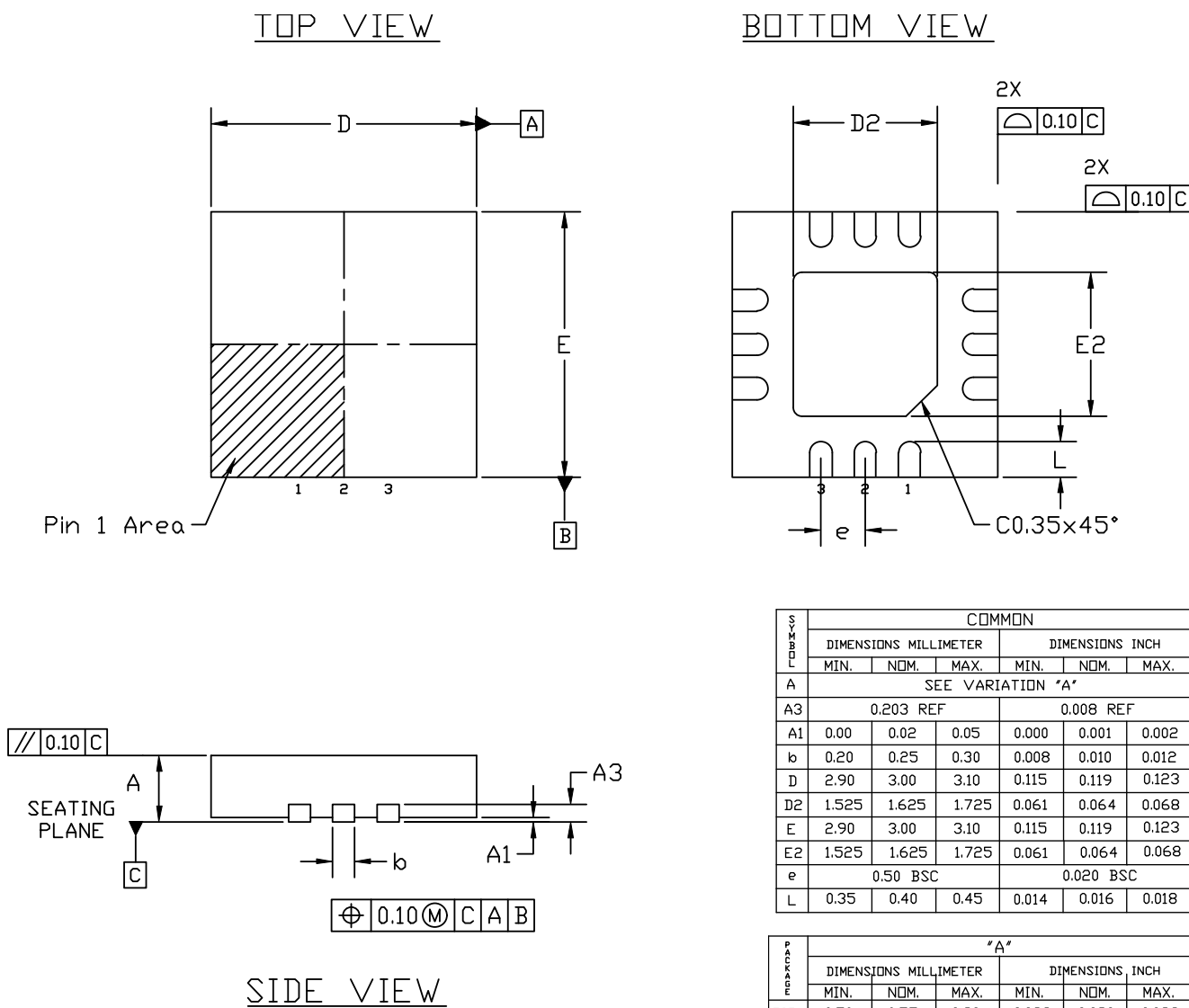
**NOTES:**

1. USE 101-0491-01
2. CAUTION:  
CONTAINS PARTS AND ASSEMBLIES SUSCEPTIBLE TO DAMAGE BY ELECTROSTATIC DISCHARGE (ESD)
3. ALL TRANSMISSION LINES ARE:  
12MIL WIDTH, 12MIL GAPS, 28MIL CORE DIELECTRIC 4.3 Er AND 2.1MIL Cu THICKNESS.



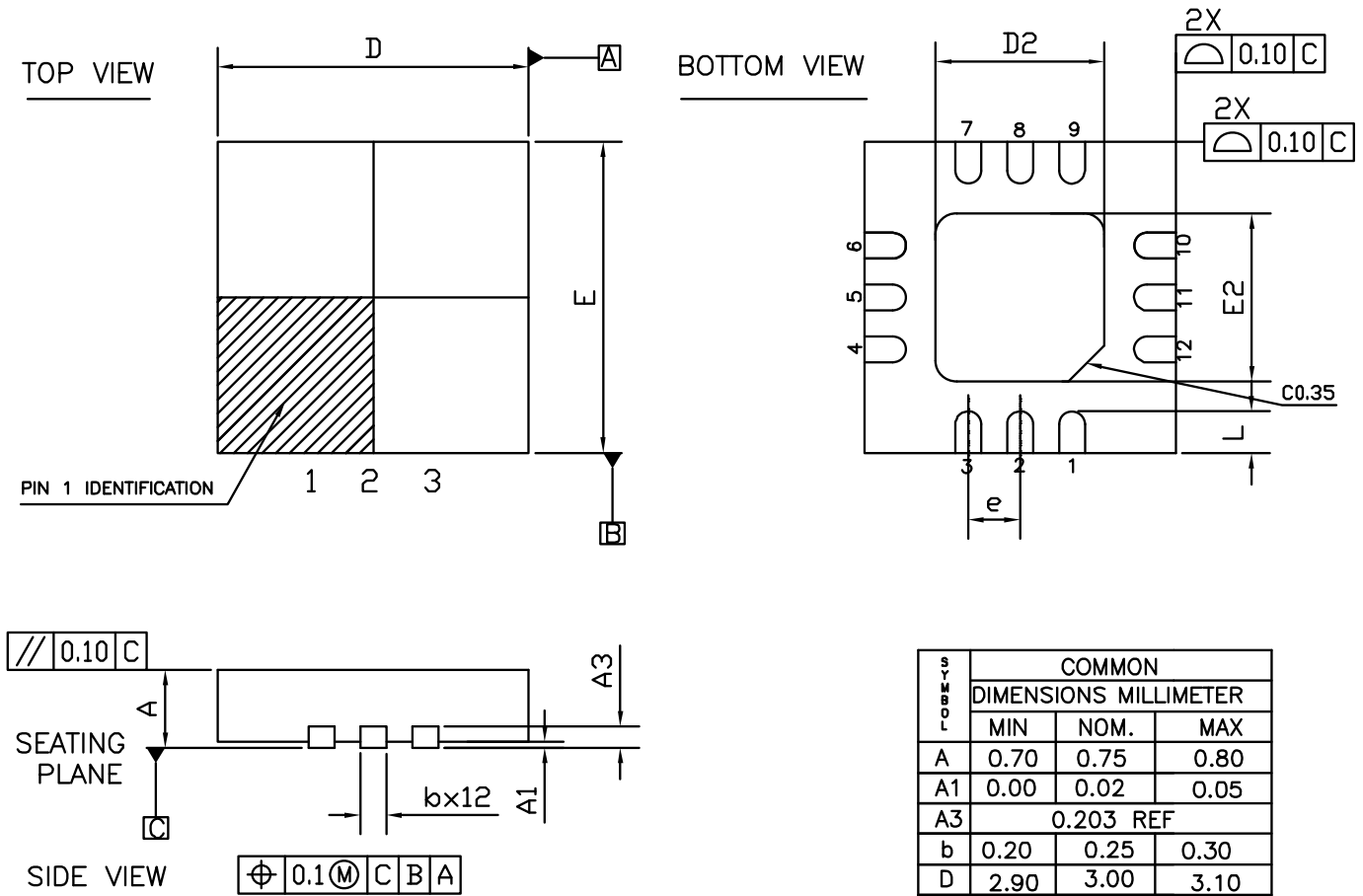


**Figure 21. Package Drawing Hana - AYT (Thailand)**  
12-lead 3 x 3 x 0.75 mm QFN



19-0133

**Figure 22. Package Drawing Hana - JX (China)**  
12-lead 3 x 3 x 0.75 mm QFN

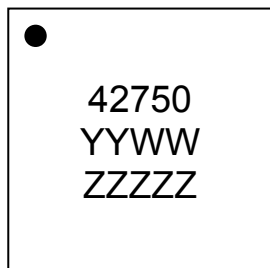


**NOTES:**

- 1.DIMENSION AND TOLERANCING CONFORM TO ASME Y14.5M-1994
- 2.CONTROLLING DIMENSIONS: MILLIMETER

19-0155

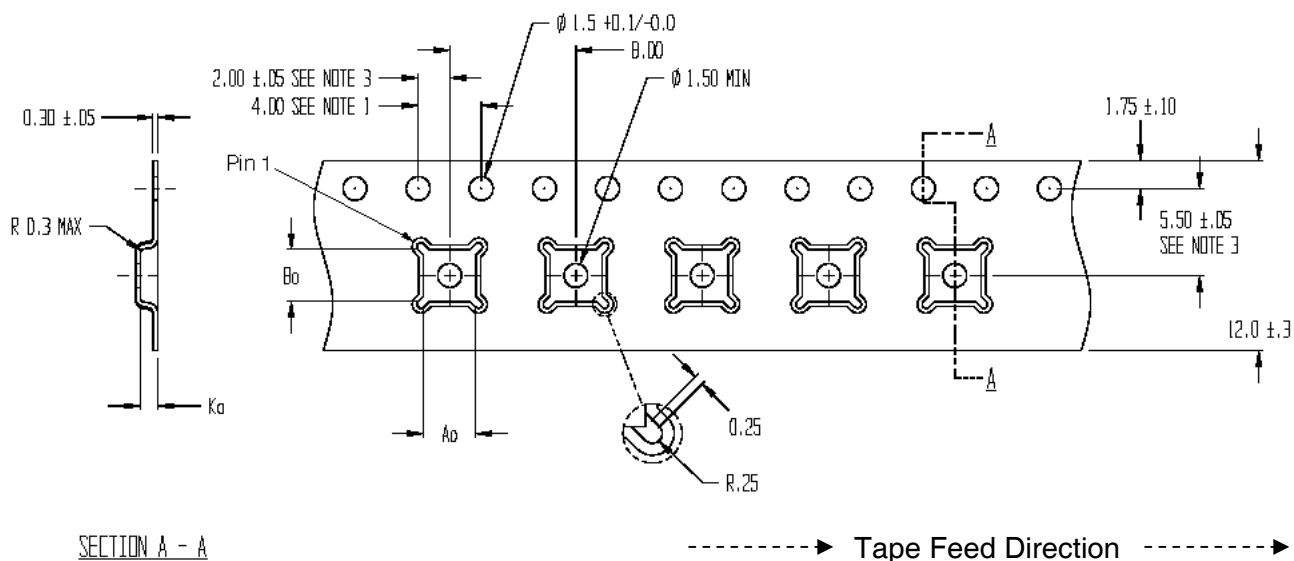
**Figure 23. Marking Specifications**



- = Pin 1 designator
- AAAAA = Five digit part number
- YYWW = Date Code, last two digits of the year and work week
- ZZZZZ = Five digits of the lot number

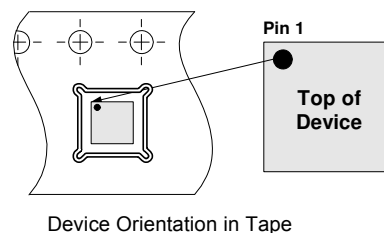
17-0009

**Figure 24. Tape and Reel Specifications**  
12-lead 3x3x0.75 mm QFN



- NOTES:
1. 10 SPROCKET HOLE PITCH CUMULATIVE TOLERANCE  $\pm 0.2$
  2. CAMBER IN COMPLIANCE WITH EIA 481
  3. POCKET POSITION RELATIVE TO SPROCKET HOLE MEASURED AS TRUE POSITION OF POCKET, NOT POCKET HOLE

$A_o = 3.30 \pm 0.1$  mm  
 $B_o = 3.30 \pm 0.1$  mm  
 $K_o = 1.10 \pm 0.1$  mm



**Table 7. Ordering Information**

Order Code	Description	Package	Shipping Method
PE42750MLAA-Z <sup>1</sup>	PE42750G-12LQFN 3x3mm-3000C	Green 12-lead 3x3mm QFN	3,000 Dice/Reel
PE42750MLAB-Z <sup>2</sup>	PE42750-12LQFN 3x3mm-3000C	Green 12-lead 3x3mm QFN	3,000 Dice/Reel
EK42750-01 <sup>1</sup>	PE42750-EK	Evaluation Kit	1/box
EK42750-02 <sup>2</sup>	PE42750-EK	Evaluation Kit	1/box

Notes: 1. Hana AYT (Thailand) assembly house. Please contact factory for assembly house details.  
 2. Hana JX (China) assembly house. Please contact factory for assembly house details.

**Sales Contact and Information**

For Sales and contact information please visit [www.psemi.com](http://www.psemi.com).

**Advance Information:** The product is in a formative or design stage. The datasheet contains design target specifications for product development. Specifications and features may change in any manner without notice. **Preliminary Specification:** The datasheet contains preliminary data. Additional data may be added at a later date. Peregrine reserves the right to change specifications at any time without notice in order to supply the best possible product. **Product Specification:** The datasheet contains final data. In the event Peregrine decides to change the specifications, Peregrine will notify customers of the intended changes by issuing a CNF (Customer Notification Form).

The information in this datasheet is believed to be reliable. However, Peregrine assumes no liability for the use of this information. Use shall be entirely at the user's own risk.

No patent rights or licenses to any circuits described in this datasheet are implied or granted to any third party.

Peregrine's products are not designed or intended for use in devices or systems intended for surgical implant, or in other applications intended to support or sustain life, or in any application in which the failure of the Peregrine product could create a situation in which personal injury or death might occur. Peregrine assumes no liability for damages, including consequential or incidental damages, arising out of the use of its products in such applications.

The Peregrine name, logo, UltraCMOS and UTSi are registered trademarks and HaRP, MultiSwitch and DuNE are trademarks of Peregrine Semiconductor Corp.