



Chipsmall Limited consists of a professional team with an average of over 10 year of expertise in the distribution of electronic components. Based in Hongkong, we have already established firm and mutual-benefit business relationships with customers from,Europe,America and south Asia,supplying obsolete and hard-to-find components to meet their specific needs.

With the principle of “Quality Parts,Customers Priority,Honest Operation,and Considerate Service”,our business mainly focus on the distribution of electronic components. Line cards we deal with include Microchip,ALPS,ROHM,Xilinx,Pulse,ON,Everlight and Freescale. Main products comprise IC,Modules,Potentiometer,IC Socket,Relay,Connector.Our parts cover such applications as commercial,industrial, and automotives areas.

We are looking forward to setting up business relationship with you and hope to provide you with the best service and solution. Let us make a better world for our industry!



## Contact us

Tel: +86-755-8981 8866 Fax: +86-755-8427 6832

Email & Skype: info@chipsmall.com Web: www.chipsmall.com

Address: A1208, Overseas Decoration Building, #122 Zhenhua RD., Futian, Shenzhen, China



# PE7/PE8/PE8 Series

Combination



## Specifications:

**Rated Voltage:** 250VAC Maximum - 50/60 Hz

**Rated Current:**      115VAC    250VAC  
    3A            3A  
    6A            6A

**Current Overload:** 6X for 8 Seconds

**Hi-Pot Test (1 min):**

Line to Ground    1500VAC  
 Line to Line        1768VDC

**Insulation Resistance:**  $9 \times 10^9 \Omega$  at 100VDC

**Ambient Temperature:** 40°C Max. at Rated Current

**Humidity Range:** 0% to 95% R.H.

**Termination:**

- IEC Receptacle
- Wire Wrap/Solder

**Maximum Leakage Current:**

Each Line to Ground      **PE7, PE 8, PE9**  
 115VAC, 60Hz:                    0.25mA  
 250VAC, 50Hz:                    0.40mA

**Voltage Select Card:** Installed in 120VAC position unless otherwise specified

**Agency Approvals:**

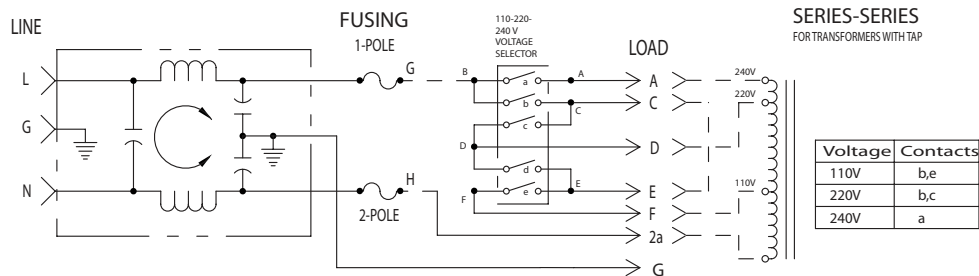


Refer to Page 62 for Ordering Instructions

## Features:

- RFI Filter Module Combines IEC Connector, Fusing, and Voltage Select Features in One Unit
- PE7 Series Filters Provide 20% More Differential Mode Attenuation Than Comparable Units
- Accepts Either U.S. or European Standard Fuse Sizes

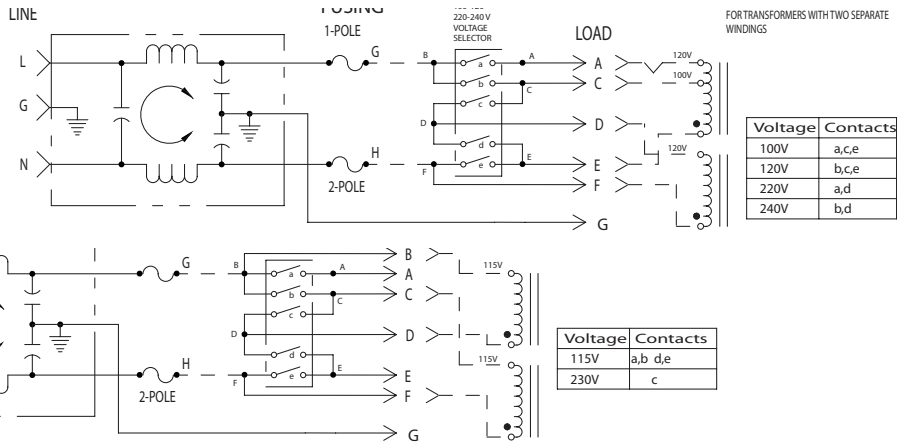
## PE7 Series Simplified Schematic



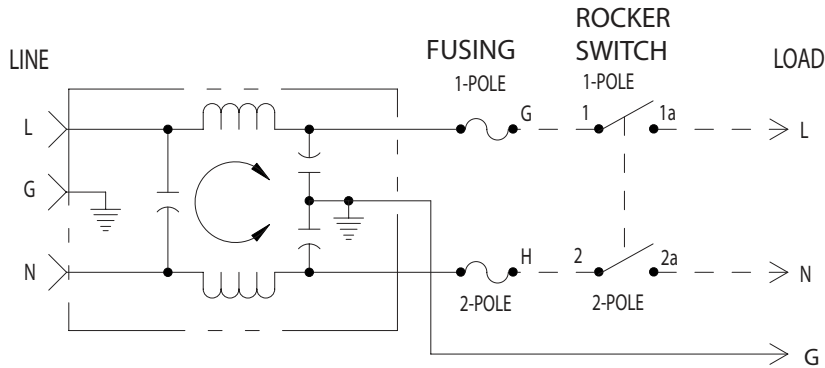
Nominal Current Rating	Part Number	Termination Line/Load	MINIMUM INSERTION LOSS - dB (50 ohm Circuit)						
			MODE	Frequency - MHz					
				.15	.50	1.0	5.0	10	30
3A	PE7XXX03 PE8XXX03 PE9XXX03	IEC/Solder Tabs	Common	18	24	30	45	45	50
			Differential	8	18	24	46	50	40
6A	PE7XXX06 PE8XXX06 PE9XXX06	IEC/Solder Tabs	Common	10	19	24	39	44	50
			Differential	8	18	24	39	40	40



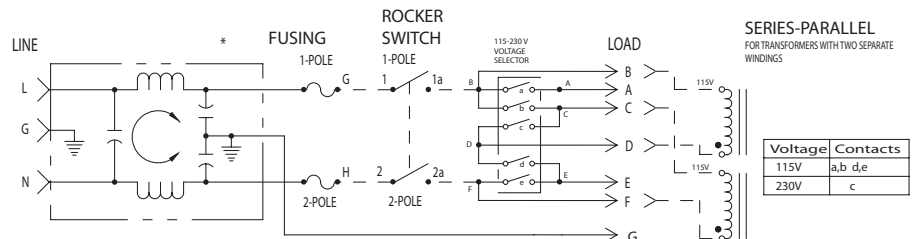
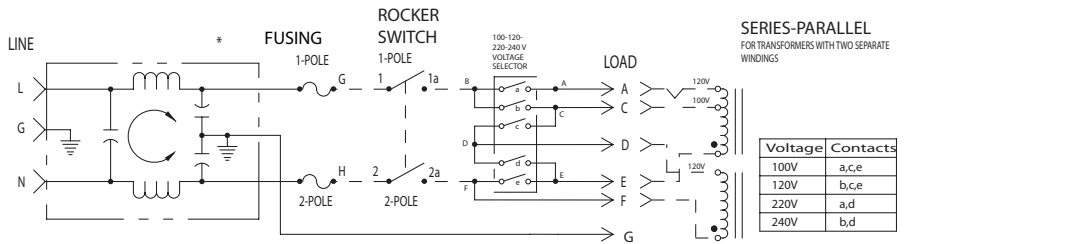
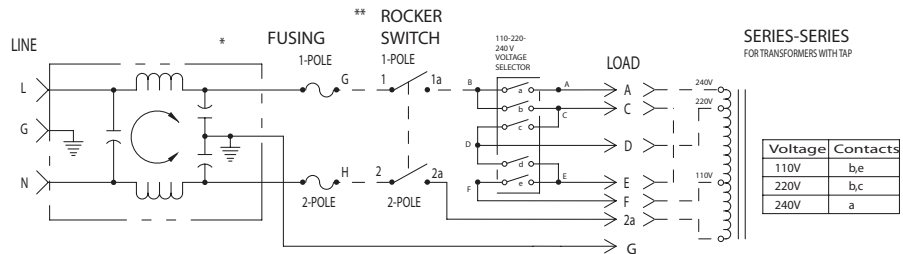
### PE7 Series Simplified Schematic



### PE8 Series Simplified Schematic



### PE9 Series Simplified Schematic



Dimensions are in inches and millimeters unless otherwise specified. Values in parentheses are metric equivalents.



**Curtis Industries**  
A Division of Powers Holdings, Inc.

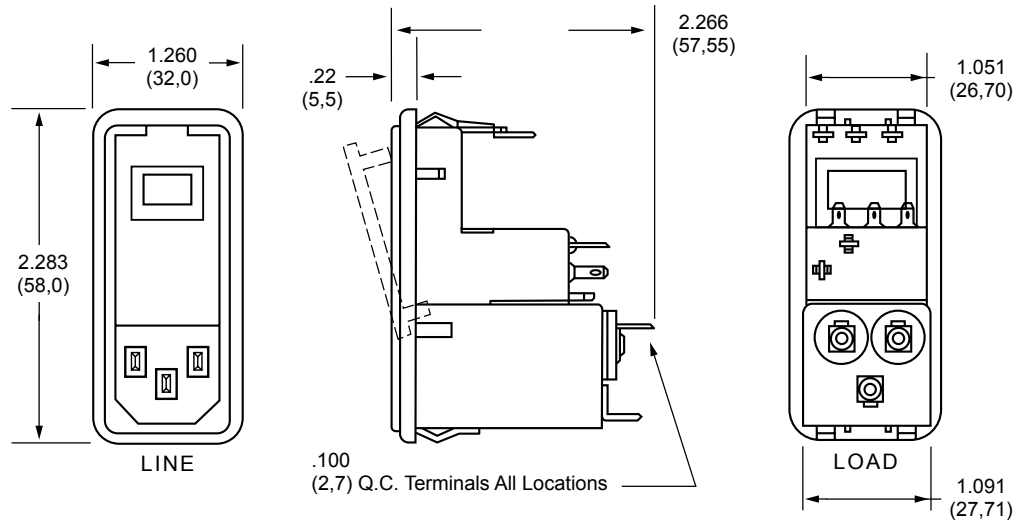


# PE7/PE8/PE8 Series (continued)

## PE7/PE8 Snap-Mount Series

(3 and 6Amp)  
Dimensions

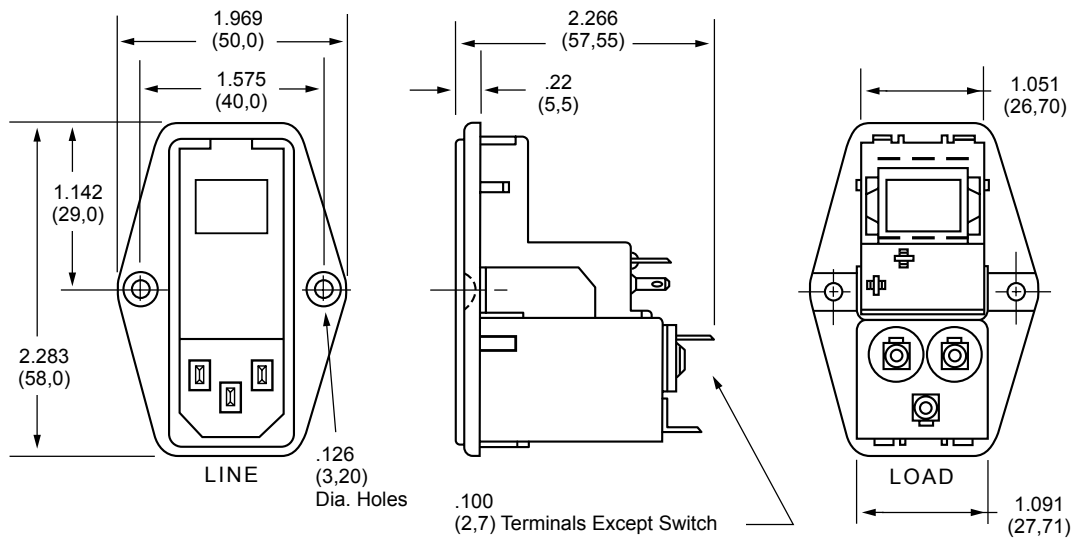
Refer to Page 62  
for Standard  
Mounting Cutouts



## PE7/PE8 Screw-Mount Series

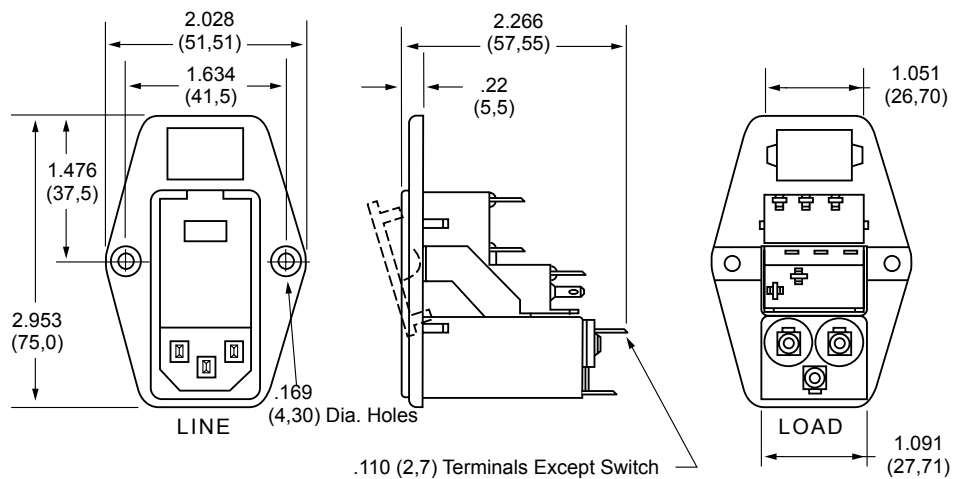
(3 and 6Amp)  
Dimensions

Refer to Page 62  
for Standard  
Mounting Cutouts

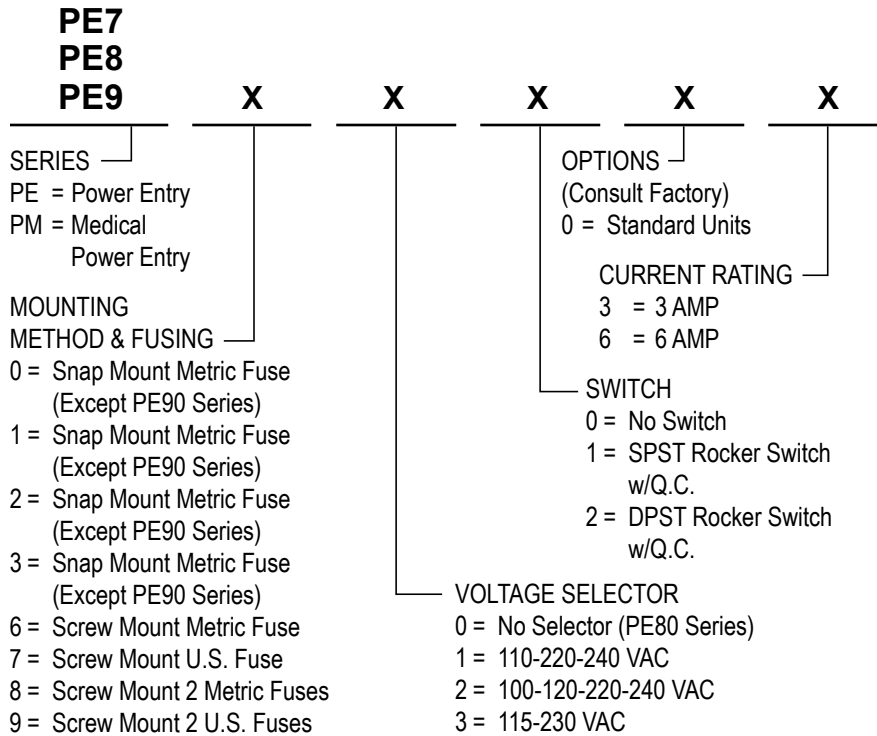


## PE9(3 and 6Amp) Dimensions

Refer to Standard  
Mounting Cutouts  
Below



## How to Order



## INSTALLATION INSTRUCTION IMPORTANT – CHANGING FUSE/VOLTAGE

### PE7/PE8/PE9

To change fuse, remove power cord and open the front cover on the module. Remove fuse holder and replace fuse. Reinsert fuse holder and close cover. To change the operating voltage on the PE7 and PE9 Series, remove the power cord and open front cover. Rotate voltage select wheel until desired voltage appears in window of cover.

- Filter shipped without fuse.

**Always use caution when selecting and changing fuses and voltage requirements. Curtis Industries is not responsible for malfunction due to improper installation/selection of fuse and/or voltage select.**

## Standard Mounting Cutouts

