



Chipsmall Limited consists of a professional team with an average of over 10 year of expertise in the distribution of electronic components. Based in Hongkong, we have already established firm and mutual-benefit business relationships with customers from,Europe,America and south Asia,supplying obsolete and hard-to-find components to meet their specific needs.

With the principle of “Quality Parts,Customers Priority,Honest Operation,and Considerate Service”,our business mainly focus on the distribution of electronic components. Line cards we deal with include Microchip,ALPS,ROHM,Xilinx,Pulse,ON,Everlight and Freescale. Main products comprise IC,Modules,Potentiometer,IC Socket,Relay,Connector.Our parts cover such applications as commercial,industrial, and automotives areas.

We are looking forward to setting up business relationship with you and hope to provide you with the best service and solution. Let us make a better world for our industry!



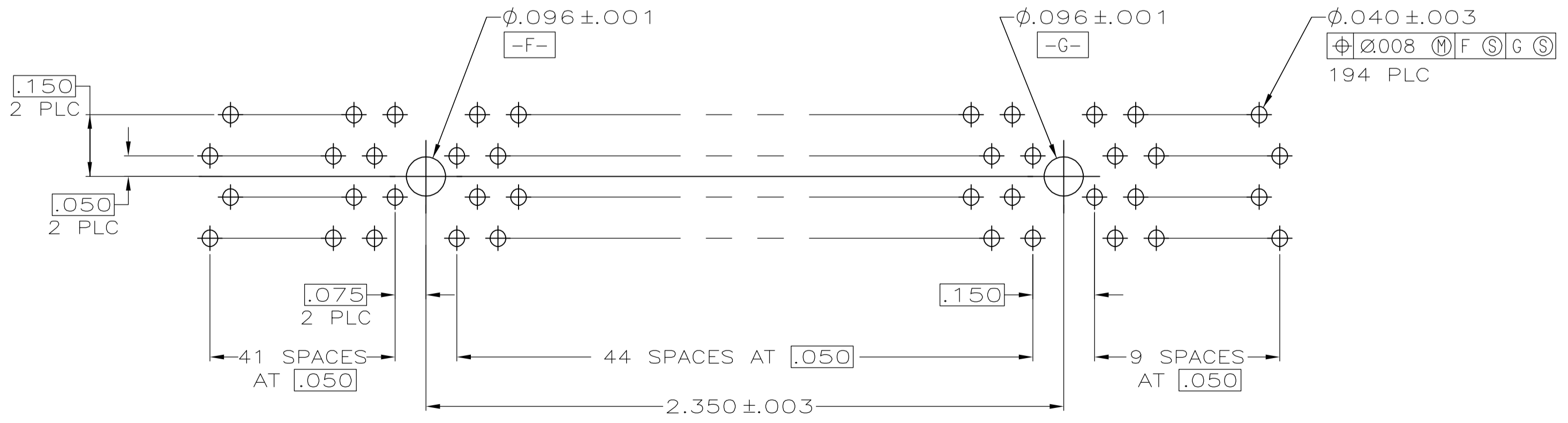
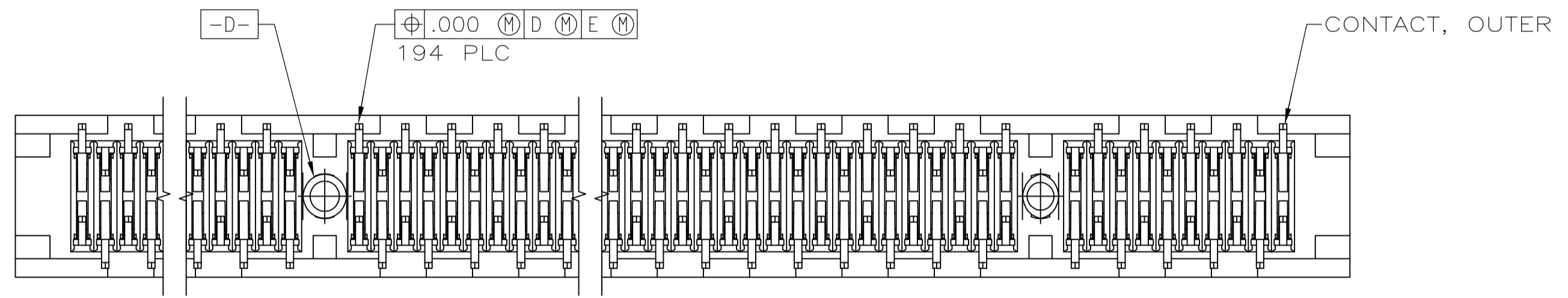
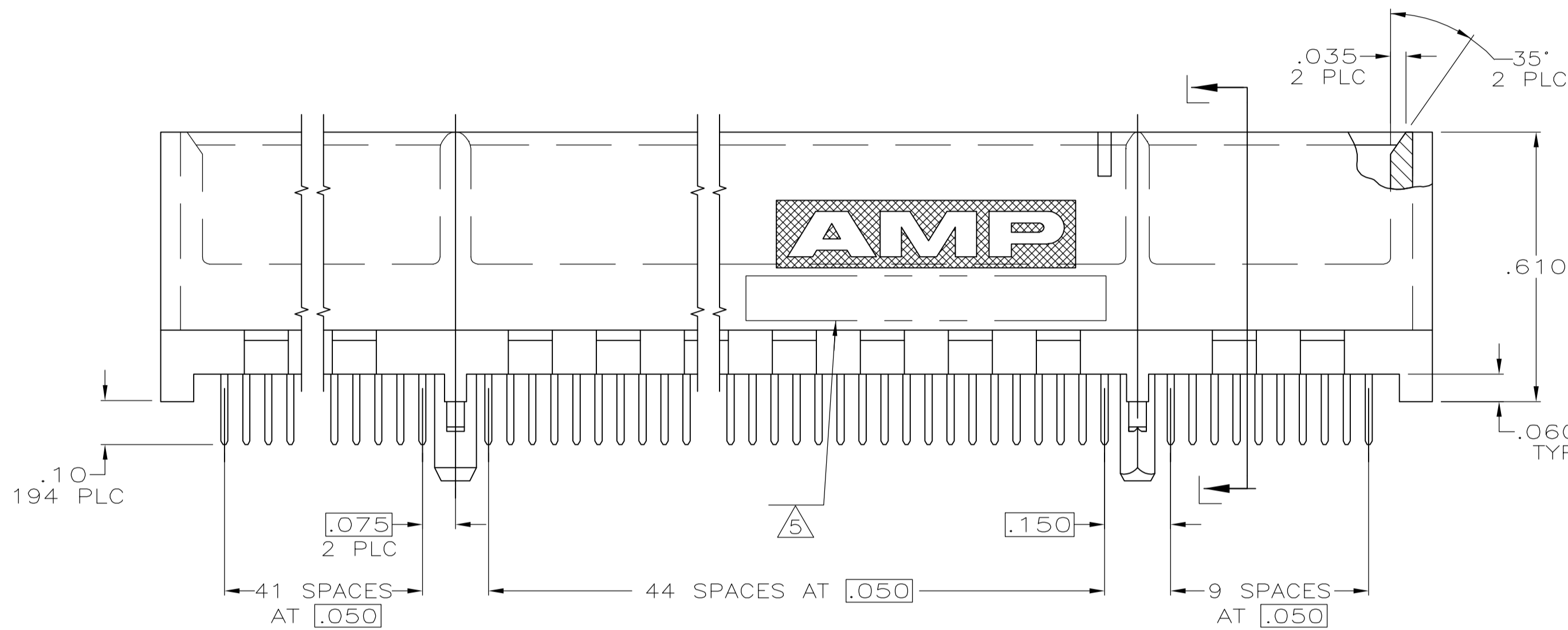
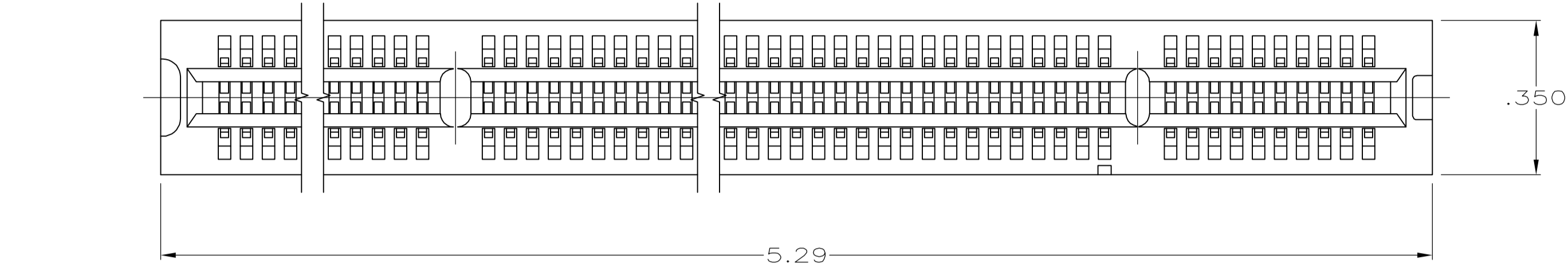
Contact us

Tel: +86-755-8981 8866 Fax: +86-755-8427 6832

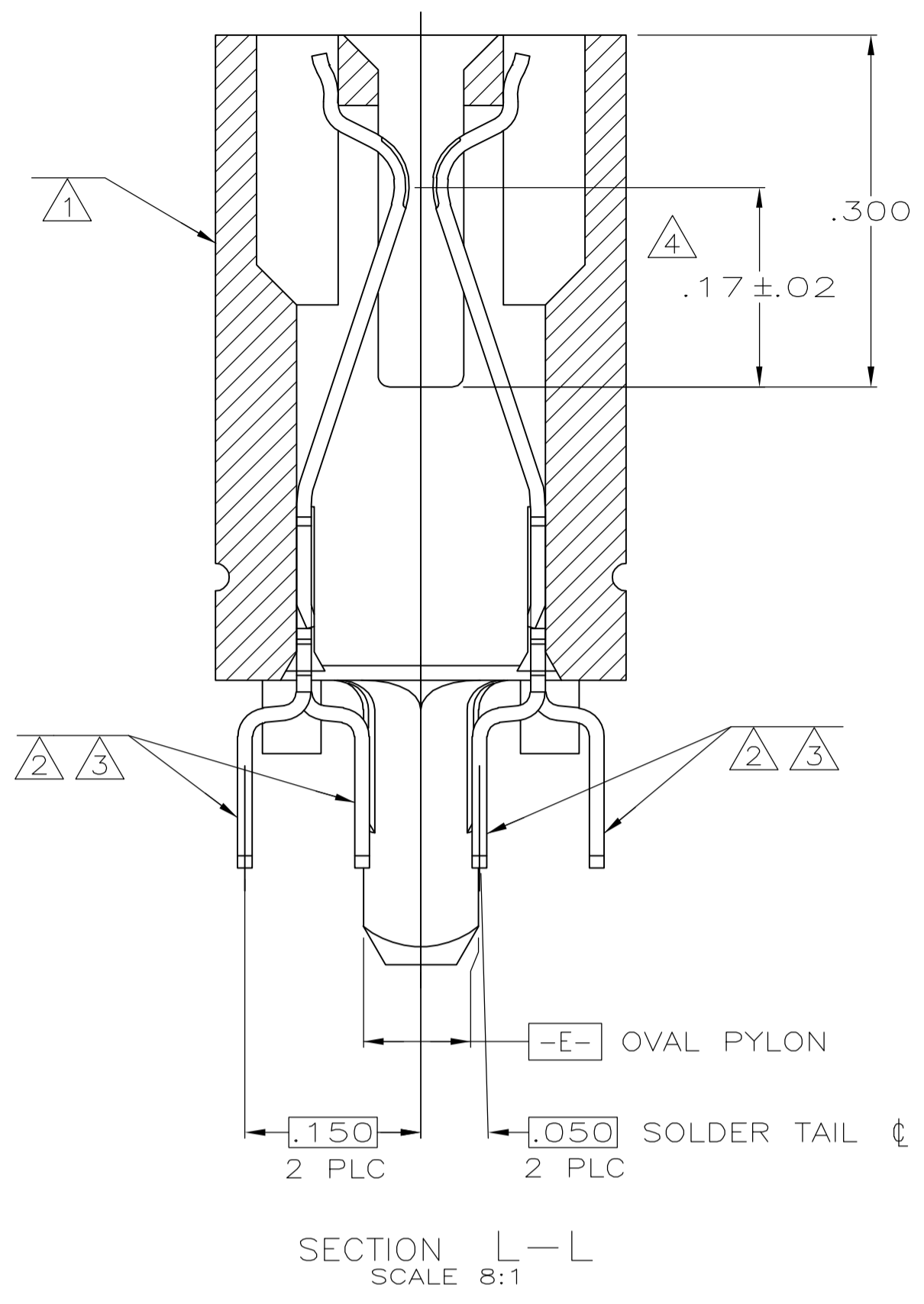
Email & Skype: info@chipsmall.com Web: www.chipsmall.com

Address: A1208, Overseas Decoration Building, #122 Zhenhua RD., Futian, Shenzhen, China

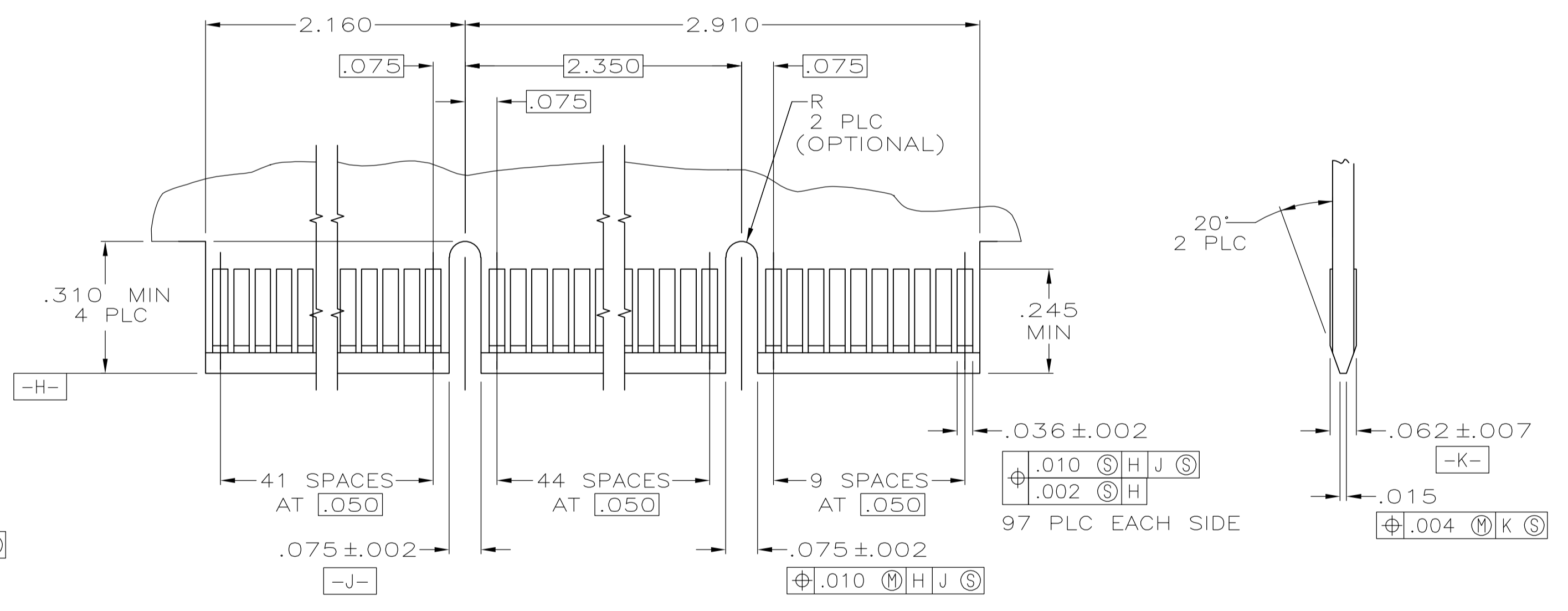




RECOMMENDED CONNECTOR MOUNTING HOLE PATTERN (CONNECTOR SIDE SHOWN)



- 1 HOUSING: POLYPHENYLENE SULFIDE.
- 2 CONTACT: PHOSPHOR BRONZE.
- 3 CONTACT FINISH: .000100 MIN NICKEL ALL OVER. .000043 MIN DURAGOLD OVER NICKEL IN CONTACT AREA. .000100 MIN MATTE TIN OVER NICKEL ON SOLDER TAILS.
- 4 DISTANCE FROM CONTACT POINT TO BOTTOM OF CARD SLOT.
- 5 AMP PART NUMBER, DATE CODE AND CSA LOGO MARKED IN APPROXIMATE AREA SHOWN.
- 6 THIS DRAWING IS RESTRICTED TO IBM CORPORATION AND IBM AUTHORIZED SUPPLIERS.



RECOMMENDED MATING BOARD EDGE CONFIGURATION

5650720-1
PART NUMBER

THIS DRAWING IS A CONTROLLED DOCUMENT.		DIN AL FRANTUM 05 AUG 05		Tyco Electronics Corporation	
DIMENSIONS: INCHES		TOLERANCES UNLESS OTHERWISE SPECIFIED:		Tyco Electronics Corporation Harrisburg, Pa 17105-3608	
0 PLC	± .005	1 PLC	± .01	NAME: CONNECTOR ASSEMBLY, 97 DUAL POSITION, .050 SERIES, STANDARD EDGE	
1 PLC	± .01	2 PLC	± .01	PRODUCT SPEC: 108-14034	
2 PLC	± .01	3 PLC	± .005	APPLICATION SPEC: 114-26012	
3 PLC	± .005	4 PLC	± .005	SIZE: A1	
4 PLC	± .005	ANGLES	± .5°	CAGE CODE: 00779	
MATERIAL		FINISH		DRAWING NO: 5650720	
1/2		3		RESTRICTED TO: -	
CUSTOMER DRAWING				SCALE: 4:1 SHEET 1 OF 1 REV 0	