



Chipsmall Limited consists of a professional team with an average of over 10 year of expertise in the distribution of electronic components. Based in Hongkong, we have already established firm and mutual-benefit business relationships with customers from,Europe,America and south Asia,supplying obsolete and hard-to-find components to meet their specific needs.

With the principle of “Quality Parts,Customers Priority,Honest Operation,and Considerate Service”,our business mainly focus on the distribution of electronic components. Line cards we deal with include Microchip,ALPS,ROHM,Xilinx,Pulse,ON,Everlight and Freescale. Main products comprise IC,Modules,Potentiometer,IC Socket,Relay,Connector.Our parts cover such applications as commercial,industrial, and automotives areas.

We are looking forward to setting up business relationship with you and hope to provide you with the best service and solution. Let us make a better world for our industry!



## Contact us

Tel: +86-755-8981 8866 Fax: +86-755-8427 6832

Email & Skype: info@chipsmall.com Web: www.chipsmall.com

Address: A1208, Overseas Decoration Building, #122 Zhenhua RD., Futian, Shenzhen, China



# PatchRunner™ High Capacity Horizontal Cable Managers

# PANDUIT®

SPECIFICATION SHEET

## specifications

The high capacity horizontal cable managers shall be a front only design capable of managing copper and fiber cables on any 19" EIA cabinet or rack. These managers shall be constructed with a steel frame and molded plastic fingers. The manager shall retain cables in a horizontal pathway while providing .350" (9mm) bend radii between each finger and at each end finger. The high capacity managers shall have a telescoping projection from the rack mounting face of 4.4" (112mm) to 7.6" (193mm) and an open back for pass through from the front to the back of the rack. A metal, hinged cover that opens 110 degrees either up or down allows full access to the cable pathway and shall be standard on these managers. These managers will be capable of being installed on top of each other in a rack without the opening and the closing of the covers interfering with the other manager.



## technical information

Part Number	RU	Height in (mm)	Width in (mm)	Depth* in (mm)
PEHF2	2	3.5 (89)	18.9 (480)	9.8 (250)
PEHF3	3	5.2 (133)	18.9 (480)	9.8 (250)
PEHF4	4	7.0 (177)	18.9 (480)	9.8 (250)

\*Projection from rack mounting face can vary from 4.4" (112mm) to 7.6" (193mm).

## key features and benefits

<b>Deep channel opening</b>	Manage more cables in less RU spaces
<b>Telescoping projection</b>	Prevents capacity reduction when transitioning from the vertical manager to the horizontal by aligning the fingers
<b>Finger spacing</b>	Wide front finger openings easily accommodate Category 6A and Category 6 copper cables speeding installation and reducing maintenance costs
<b>Dual hinged cover</b>	Metal door opens 110 degrees to the top or bottom to provide complete access to the horizontal pathway without having to remove the cover
<b>Full radius finger with uniform cross-section</b>	Maintains cable radii and allows cable retainer to be used for bundle retention or segregation

## applications

Panduit® PatchRunner™ High Capacity Horizontal Cable Managers provide an efficient way to manage high performance copper, fiber optic, or coaxial cables on any 19" rack or cabinet. Telescoping projection allows alignment with numerous vertical managers to maximize cable capacity. Fixed bend radius fingers organize and protect patch cords as they exit patch panels and as they transition into the vertical pathway. All of

these features combine to provide the user with a horizontal cable management solution that simplifies cable routing in a finished professional appearance. When used with Panduit patch panels, patch cords, vertical cable managers, and racks, the user receives a total system that satisfies functional and aesthetic requirements for data centers and telecommunications rooms.

### PatchRunner™ High Capacity Horizontal Cable Managers

2 RU manager front only:	PEHF2
3 RU manager front only:	PEHF3
4 RU manager front only:	PEHF4

### PatchRunner™ High Capacity Vertical Cable Managers for 19" and 23" Wide Racks – 7 Foot

<b>Dual-Sided</b>	
6" wide:	PEV6^
8" wide:	PEV8^
10" wide:	PEV10^
12" wide:	PEV12^
<b>Single Sided</b>	
6" wide:	PEVF6^
8" wide:	PEVF8^
10" wide:	PEVF10^
12" wide:	PEVF12^

### PatchRunner™ 2 Vertical Cable Managers with Doors – 7 Foot

6"W, front and rear:	PR2VD06^
6"W, front only:	PR2VFD06^
8"W, front and rear:	PR2VD08^
8"W, front only:	PR2VFD08^
10"W, front and rear:	PR2VD10^
10"W, front only:	PR2VFD10^
12"W, front and rear:	PR2VD12^
12"W, front only:	PR2VFD12^

### Panduit Racks

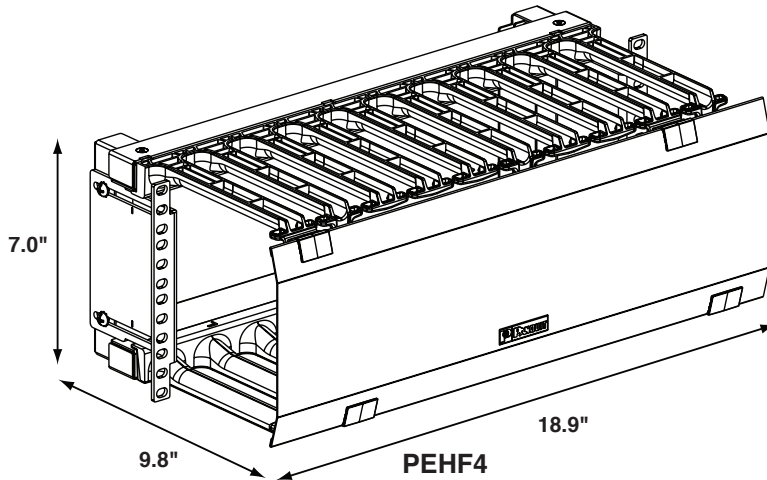
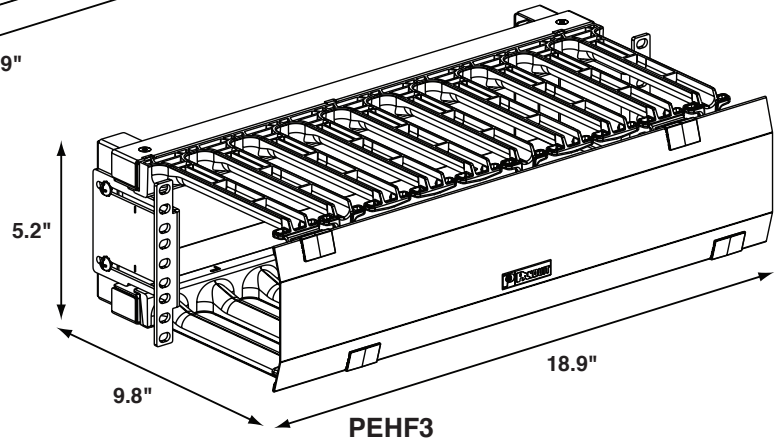
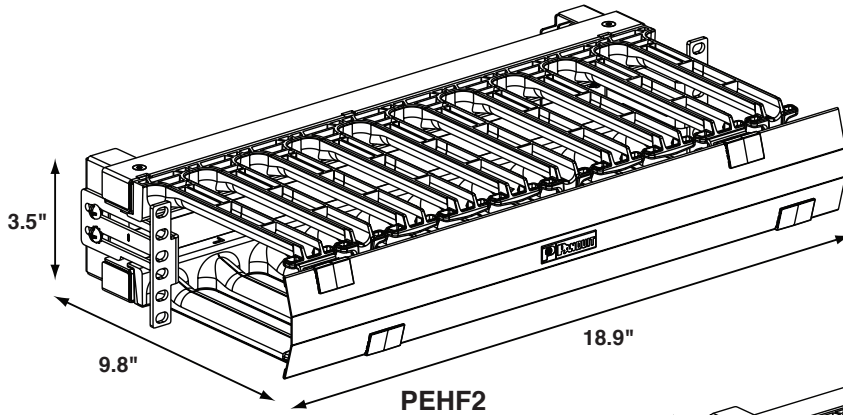
2 post rack 7' with threaded rails, 3" deep:	R2P^
2 post rack 7' with threaded rails, 6" deep:	R2P6S^
4 post racks 7' 30" depth with #12-24 threaded rails:	R4P^
4 post racks 7' 23" depth with #12-24 threaded rails:	R4P23^
4 post racks 7' 36" depth with #12-24 threaded rails:	R4P36^
4 post racks 7' 42" depth with #12-24 threaded rails:	R4P42^

### Accessory

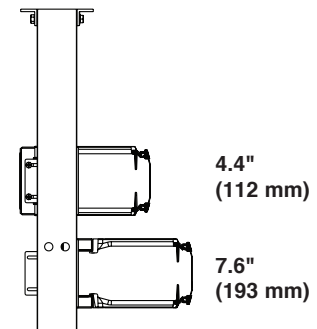
Snap-on finger cable retainer:	WR5E-X
--------------------------------	--------

\*Add "CN" for cage nut rails  
^Add suffix 96 to the end of the part number for 8' part numbers.

# PatchRunner™ High Capacity Horizontal Cable Managers



## Telescoping Projection



## WORLDWIDE SUBSIDIARIES AND SALES OFFICES

PANDUIT US/CANADA  
Phone: 800.777.3300

PANDUIT EUROPE LTD.  
London, UK  
cs-emea@panduit.com  
Phone: 44.20.8601.7200

PANDUIT SINGAPORE PTE. LTD.  
Republic of Singapore  
cs-ap@panduit.com  
Phone: 65.6305.7575

PANDUIT JAPAN  
Tokyo, Japan  
cs-japan@panduit.com  
Phone: 81.3.6863.6000

PANDUIT LATIN AMERICA  
Guadalajara, Mexico  
cs-la@panduit.com  
Phone: 52.33.3777.6000

PANDUIT AUSTRALIA PTY. LTD.  
Victoria, Australia  
cs-aus@panduit.com  
Phone: 61.3.9794.9020

For a copy of Panduit product warranties, log on to [www.panduit.com/warranty](http://www.panduit.com/warranty)

For more information

Visit us at [www.panduit.com](http://www.panduit.com)

Contact Customer Service by email: [cs@panduit.com](mailto:cs@panduit.com)  
or by phone: 800.777.3300 and reference RKSP165

**PANDUIT**®

©2018 Panduit Corp.  
ALL RIGHTS RESERVED.  
RKSP165--WW-ENG  
6/2018