



Chipsmall Limited consists of a professional team with an average of over 10 year of expertise in the distribution of electronic components. Based in Hongkong, we have already established firm and mutual-benefit business relationships with customers from,Europe,America and south Asia,supplying obsolete and hard-to-find components to meet their specific needs.

With the principle of “Quality Parts,Customers Priority,Honest Operation,and Considerate Service”,our business mainly focus on the distribution of electronic components. Line cards we deal with include Microchip,ALPS,ROHM,Xilinx,Pulse,ON,Everlight and Freescale. Main products comprise IC,Modules,Potentiometer,IC Socket,Relay,Connector.Our parts cover such applications as commercial,industrial, and automotives areas.

We are looking forward to setting up business relationship with you and hope to provide you with the best service and solution. Let us make a better world for our industry!



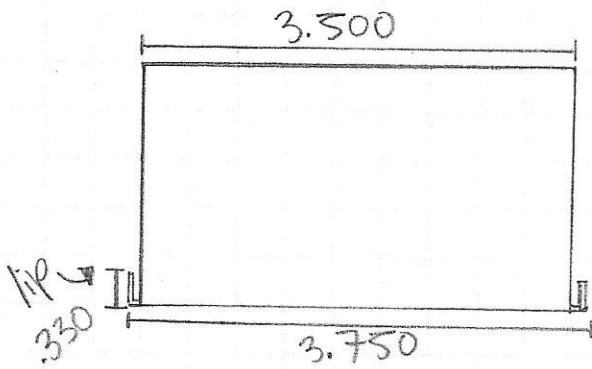
Contact us

Tel: +86-755-8981 8866 Fax: +86-755-8427 6832

Email & Skype: info@chipsmall.com Web: www.chipsmall.com

Address: A1208, Overseas Decoration Building, #122 Zhenhua RD., Futian, Shenzhen, China

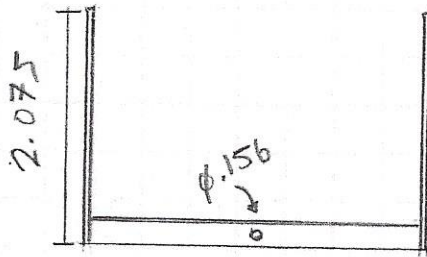




Interlock 135-Perf.

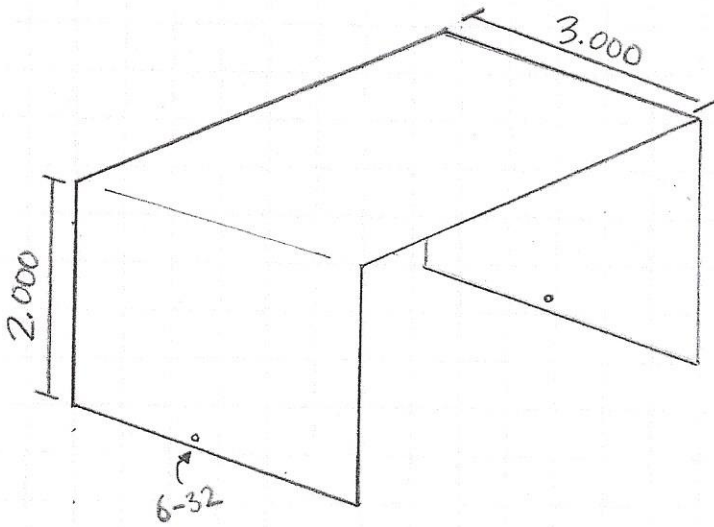
W	D	H
3"	3 ³ / ₄ "	2 ¹ / ₈ "

(Outside Dimensions)



★ Cover perforations are $\phi .100$

- 6x12 (sides)
- 12x12 (Top)

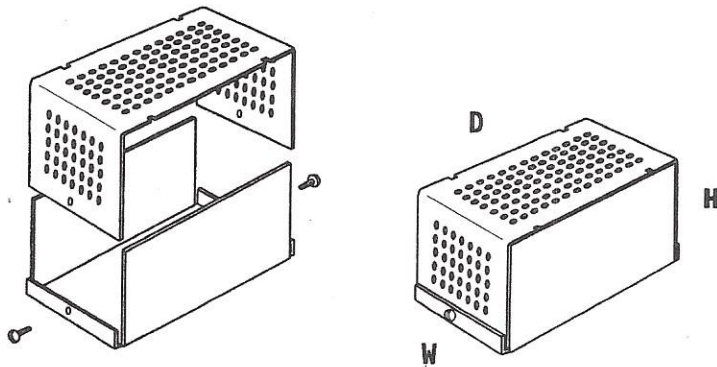


★ .050
Aluminum
Thickness

CHASSIS

LMB Perforated Box Chassis

- LMB perforated boxes are scientifically precision perforated both to dissipate heat and give utmost shielding.
- LMB perforated boxes are adaptable wherever heat dissipation is required, as well as utmost shielding.
- Available in grey, black texture and plain aluminum.



<i>LMB Model</i>	<i>D</i>	<i>W</i>	<i>H</i>
Perf-M00	2 1/4	1 1/2	1 3/8
Perf-00Z	2 5/16	2 1/8	1 3/4
Perf-000	3 1/4	2 1/8	1 5/8
Perf-00	4	2 1/8	1 5/8
Perf-100	2 3/4	2 1/8	2 5/8
Perf-101	4 1/4	2 1/4	1 1/4
Perf-102	4	2	2 3/4
Perf-103	2 3/4	2 1/8	2 1/8
Perf-107	4	2 1/4	2 1/4
Perf-108	5	2 1/4	2 1/4
Perf-135	3 3/4	3	2 1/8
Perf-136	5 1/4	3	2 1/8
Perf-137	8	3	2 3/4
Perf-138	6 1/4	3 1/2	2 1/8
Perf-139	5 1/2	3	1 1/4
Perf-140	3	4	5
Perf-141	6	4	3
Perf-142	6	4	5
Perf-143	4	4	2
Perf-144	10	4	2 1/2
Perf-145	7	5	3
Perf-146	8	6	4 1/2
Perf-15	12	2	1 3/4
Perf-650	6 1/2	2 1/8	1 5/8
Perf-850	8 1/2	2 1/8	1 5/8

.050 Aluminum; all measurements in inches (outside dimensions).

Aluminum Panel Chassis

- Fastens to mounting rail on racks.
- Use as a vertical chassis where depth is limited or where front rack mount service is needed.
- Plain finish only.

<i>LMB Model</i>	<i>D</i>	<i>W</i>	<i>H</i>
PC 175	1 3/4	5	17
PC 350	3 1/2	5	17
PC 525	5 1/2	5	17
PC 7	7	5	17

Panel depth 5 1/4"; .063 Aluminum; all measurements in inches (outside dimensions).

Panel Chassis Cover

- Fits all sizes of panel chassis with four mounting holes.
- 5 1/8" x 17".
- .063 Aluminum.
- Available in plain only.

