



Chipsmall Limited consists of a professional team with an average of over 10 year of expertise in the distribution of electronic components. Based in Hongkong, we have already established firm and mutual-benefit business relationships with customers from,Europe,America and south Asia,supplying obsolete and hard-to-find components to meet their specific needs.

With the principle of “Quality Parts,Customers Priority,Honest Operation,and Considerate Service”,our business mainly focus on the distribution of electronic components. Line cards we deal with include Microchip,ALPS,ROHM,Xilinx,Pulse,ON,Everlight and Freescale. Main products comprise IC,Modules,Potentiometer,IC Socket,Relay,Connector.Our parts cover such applications as commercial,industrial, and automotives areas.

We are looking forward to setting up business relationship with you and hope to provide you with the best service and solution. Let us make a better world for our industry!



Contact us

Tel: +86-755-8981 8866 Fax: +86-755-8427 6832

Email & Skype: info@chipsmall.com Web: www.chipsmall.com

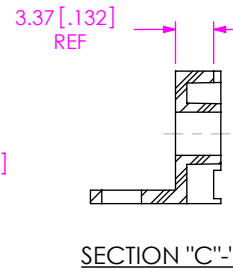
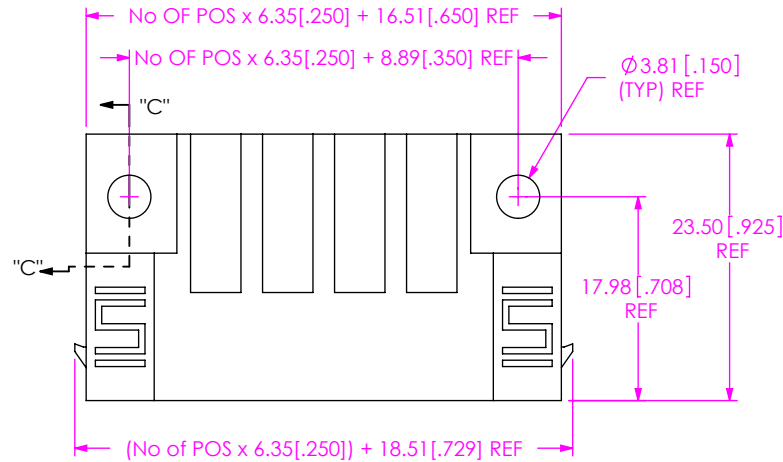
Address: A1208, Overseas Decoration Building, #122 Zhenhua RD., Futian, Shenzhen, China



DO NOT SCALE FROM THIS PRINT

DESIGNED & DIMENSIONED IN MILLIMETERS[INCHES]

PET-XX-XX-X-RA-XX-XX



No OF POSITIONS
 -02, -04, -06, -08

LEAD STYLE
 -01: FOR 1.57[.062] THICK PCB (USE SUB-T-1M34-01-X)
 -02: FOR 3.18[.125] THICK PCB (USE SUB-T-1M34-02-X)

* OPTION
 -LC: LOCKING CLIP (NOT AVAILABLE WITH -SD) (USE LC-11-TM) (SEE FIG 2, SHT 2)
 -SD: SCREW DOWN (NOT AVAILABLE WITH -LC) (SEE FIG 1, SHT 1)

OPTION
 -NL: NO LATCH EARS (SEE FIG 3, SHT 2)

RIGHT ANGLE

PLATING SPECIFICATION

-S: SELECTIVE GOLD/MATTE TIN TAIL
 -T: MATTE TIN
 -L: LIGHT SELECTIVE GOLD/MATTE TIN TAIL

* - BLANK ONLY FOR EXISTING CUSTOMERS

TABLE 1		
STYLE	"A"	SUB-T-1M34-XX-X
-01	2.35[.093]	SUB-T-1M34-01-X
-02	3.95[.156]	SUB-T-1M34-02-X

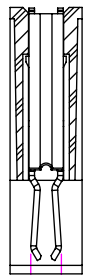
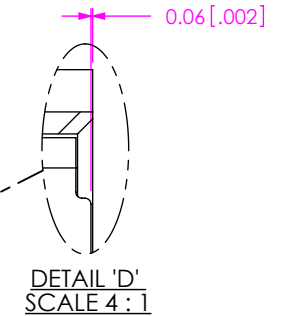
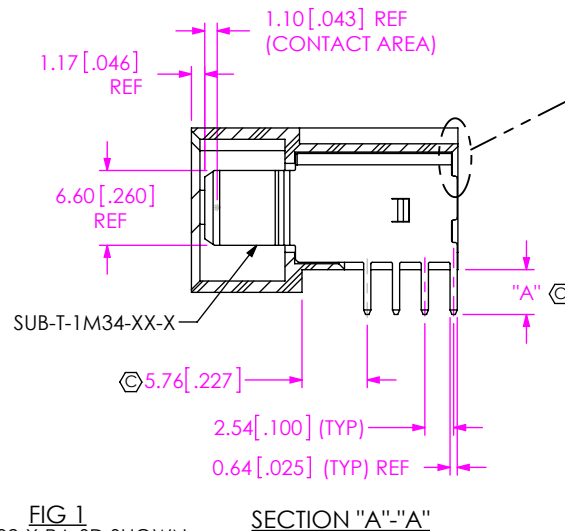
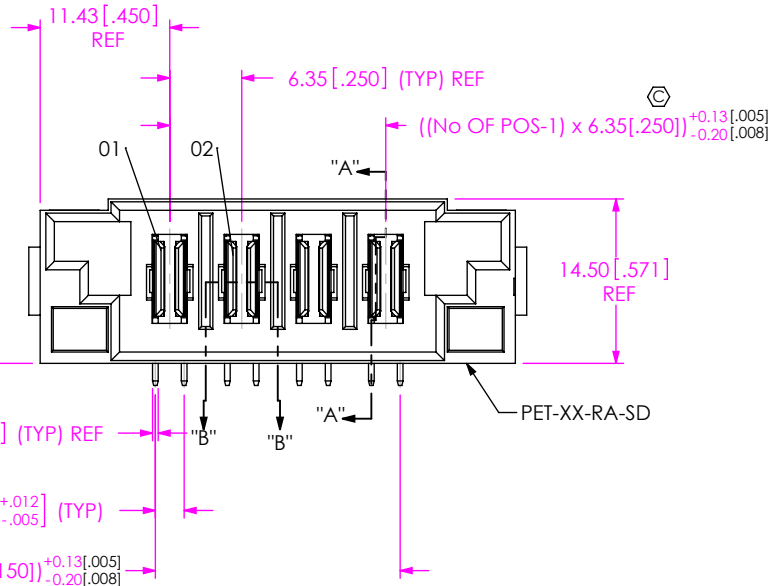


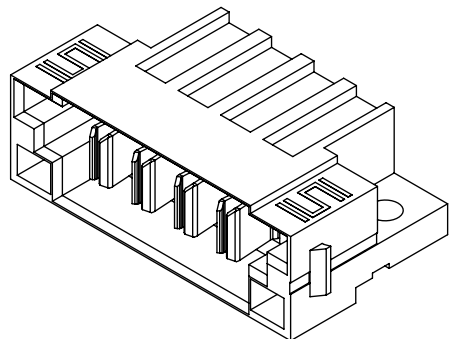
FIG 1
 PET-04-02-X-RA-SD SHOWN

SEE TABLE 2

TABLE 2	
PART NUMBER	MAX
PET-02-XX-X-RA-XX	0.15[.006]
PET-04-XX-X-RA-XX	0.15[.006]
PET-06-XX-X-RA-XX	0.20[.008]
PET-08-XX-X-RA-XX	0.20[.008]

NOTES:

1. REPRESENTS A CRITICAL DIMENSION.
2. BURR ALLOWANCE: 0.038[.0015] MAX.
3. MINIMUM PUSHOUT FORCE: 4.45N[1 LB].
4. PARTS TO BE PACKAGED IN TRAYS.
5. IF EMPTY SPACE EXISTS IN THE TRAY POCKETS, INSERT A PLUG TP-07 TO PREVENT PARTS FROM SLIDING



UNLESS OTHERWISE SPECIFIED, DIMENSIONS ARE IN MILLIMETERS.
 TOLERANCES ARE:
 DECIMALS ANGLES
 .X: $\pm 0.3[.01]$ 2°
 .XX: $\pm 0.13[.005]$
 .XXX: $\pm 0.051[.0020]$

PROPRIETARY NOTE
 THIS DOCUMENT CONTAINS CONFIDENTIAL AND PROPRIETARY INFORMATION AND ALL DESIGN, MANUFACTURING, REPRODUCTION, USE, PATENT RIGHTS AND SALES RIGHTS ARE EXPRESSLY RESERVED BY SAMTEC, INC. THIS DOCUMENT SHALL NOT BE DISCLOSED, IN WHOLE OR PART, TO ANY UNAUTHORIZED PERSON OR ENTITY NOR REPRODUCED, TRANSFERRED OR INCORPORATED IN ANY OTHER PROJECT IN ANY MANNER WITHOUT THE EXPRESS WRITTEN CONSENT OF SAMTEC, INC.

MATERIAL: DO NOT SCALE DRAWING
 INSULATOR: LCP. COLOR: BLACK
 CONTACT: COPPER ALLOY

SHEET SCALE: 1.5:1



520 PARK EAST BLVD, NEW ALBANY, IN 47150
 PHONE: 812-944-6733 FAX: 812-948-5047
 e-Mail: info@SAMTEC.com code: 55322

DESCRIPTION:	RIGHT ANGLE POWER TERMINAL
DWG. NO.	PET-XX-XX-X-RA-XX-XX
BY:	CHAD F 3/28/2005 SHEET 1 OF 3

FIG 2
 PET-04-02-X-RA-LC SHOWN
 (SAME AS FIG 1, UNLESS OTHERWISE STATED)

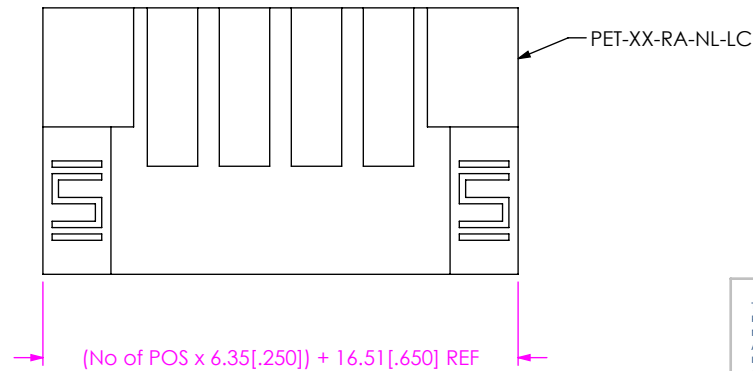
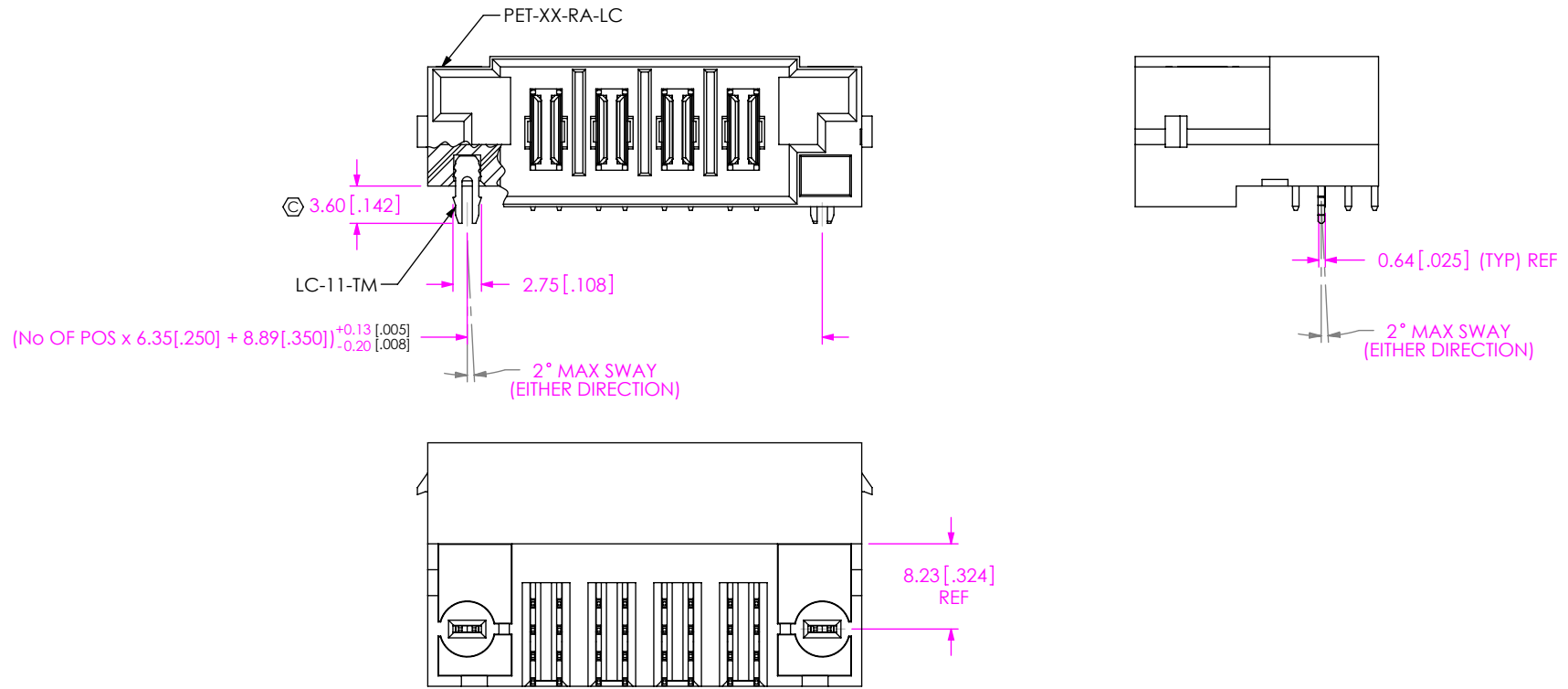
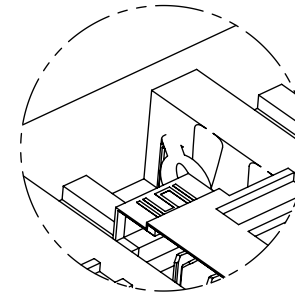
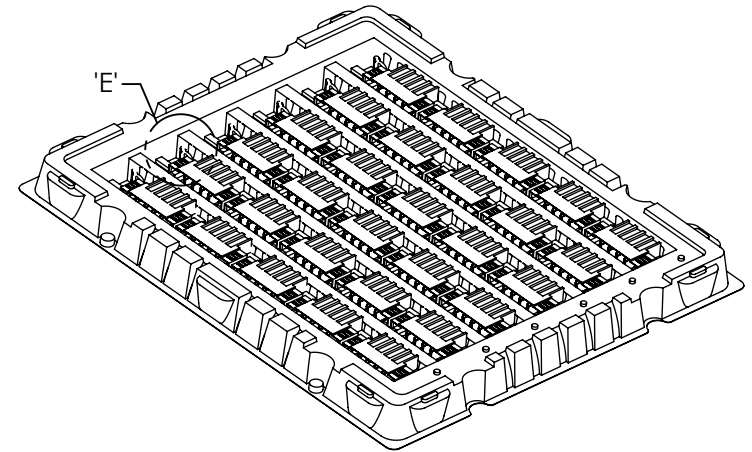
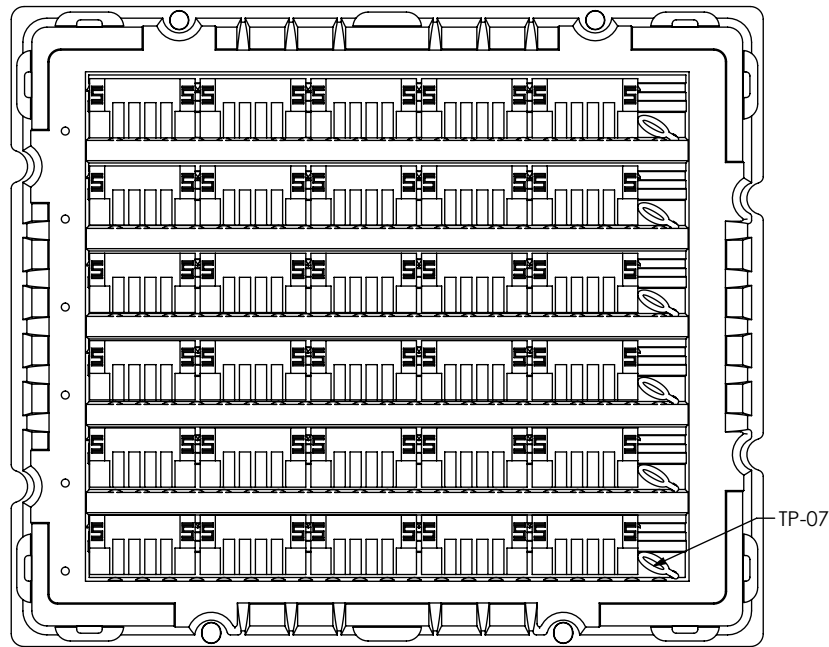


FIG 3
 -NL: OPTION
 PET-04-02-X-RA-NL-LC SHOWN
 (SAME AS FIG 1, UNLESS OTHERWISE STATED)

<p>DO NOT SCALE DRAWING</p> <p>SHEET SCALE: 1.5:1</p>	<p>PROPRIETARY NOTE</p> <p>THIS DOCUMENT CONTAINS CONFIDENTIAL AND PROPRIETARY INFORMATION AND ALL DESIGN, MANUFACTURING, REPRODUCTION, USE, PATENT RIGHTS AND SALES RIGHTS ARE EXPRESSLY RESERVED BY SAMTEC, INC. THIS DOCUMENT SHALL NOT BE DISCLOSED, IN WHOLE OR PART, TO ANY UNAUTHORIZED PERSON OR ENTITY NOR REPRODUCED, TRANSFERRED OR INCORPORATED IN ANY OTHER PROJECT IN ANY MANNER WITHOUT THE EXPRESS WRITTEN CONSENT OF SAMTEC, INC.</p>	<p>samtec</p> <p>520 PARK EAST BLVD, NEW ALBANY, IN 47150 PHONE: 812-944-6733 FAX: 812-948-5047 e-Mail: info@SAMTEC.com code: 55322</p>
	<p>DESCRIPTION:</p> <p>RIGHT ANGLE POWER TERMINAL</p>	<p>DWG. NO.</p> <p>PET-XX-XX-X-RA-XX-XX</p>
	<p>BY: CHAD F 3/28/2005</p>	<p>SHEET 2 OF 3</p>



DETAIL 'E'
SCALE 1:1

FIG 4
PACKAGE IN TRAYS AS SHOWN
TRAY VIEW
(SEE NOTE 5)

<p>PROPRIETARY NOTE</p> <p>THIS DOCUMENT CONTAINS CONFIDENTIAL AND PROPRIETARY INFORMATION AND ALL DESIGN, MANUFACTURING, REPRODUCTION, USE, PATENT RIGHTS AND SALES RIGHTS ARE EXPRESSLY RESERVED BY SAMTEC, INC. THIS DOCUMENT SHALL NOT BE DISCLOSED, IN WHOLE OR PART, TO ANY UNAUTHORIZED PERSON OR ENTITY NOR REPRODUCED, TRANSFERRED OR INCORPORATED IN ANY OTHER PROJECT IN ANY MANNER WITHOUT THE EXPRESS WRITTEN CONSENT OF SAMTEC, INC.</p>	<p>samtec</p> <p>520 PARK EAST BLVD, NEW ALBANY, IN 47150 PHONE: 812-944-6733 FAX: 812-948-5047 e-Mail: info@SAMTEC.com code: 55322</p>
<p>DO NOT SCALE DRAWING</p>	<p>DESCRIPTION: RIGHT ANGLE POWER TERMINAL</p>
<p>SHEET SCALE: 1:3</p>	<p>DWG. NO. PET-XX-XX-X-RA-XX-XX</p>
<p>BY: CHAD F</p>	<p>3/28/2005 SHEET 3 OF 3</p>