



Chipsmall Limited consists of a professional team with an average of over 10 year of expertise in the distribution of electronic components. Based in Hongkong, we have already established firm and mutual-benefit business relationships with customers from,Europe,America and south Asia,supplying obsolete and hard-to-find components to meet their specific needs.

With the principle of "Quality Parts,Customers Priority,Honest Operation,and Considerate Service",our business mainly focus on the distribution of electronic components. Line cards we deal with include Microchip,ALPS,ROHM,Xilinx,Pulse,ON,Everlight and Freescale. Main products comprise IC,Modules,Potentiometer,IC Socket,Relay,Connector.Our parts cover such applications as commercial,industrial, and automotives areas.

We are looking forward to setting up business relationship with you and hope to provide you with the best service and solution. Let us make a better world for our industry!



Contact us

Tel: +86-755-8981 8866 Fax: +86-755-8427 6832

Email & Skype: info@chipsmall.com Web: www.chipsmall.com

Address: A1208, Overseas Decoration Building, #122 Zhenhua RD., Futian, Shenzhen, China



DO NOT SCALE FROM THIS PRINT

DESIGNED & DIMENSIONED IN MILLIMETERS [INCHES]

PET-XX-XX-X-VT-XX-XX

No OF POSITIONS
-02, -04, -06, -08

OPTION
-LC: LOCKING CLIP (USE LC-11-TM) (SEE FIG 2, SHT 2)

LEAD STYLE

-01: FOR 1.57[.062] THICK PCB (USE SUB-T-1M33-01-X)
-02: FOR 3.18[.125] THICK PCB (USE SUB-T-1M33-02-X)

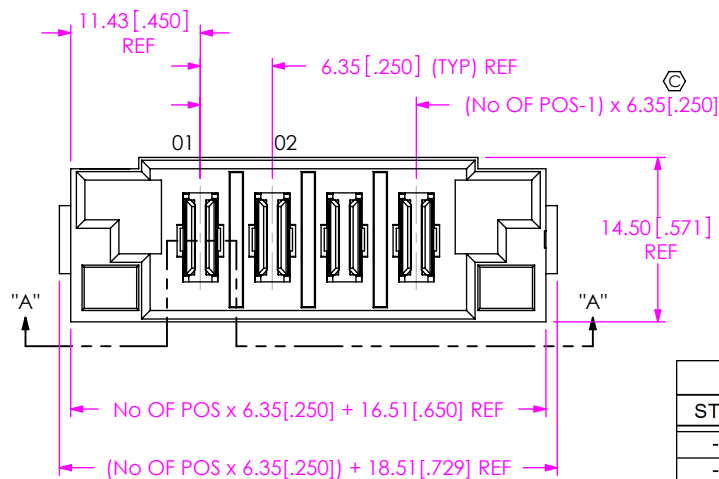
OPTION

-NL: NO LATCH EARS (SEE FIG 3, SHT 2)

VERTICAL

PLATING SPECIFICATION

-S: SELECTIVE GOLD/MATTE TIN TAIL
-T: MATTE TIN ALL OVER
-L: LIGHT SELECTIVE GOLD/MATTE TIN TAIL



| TABLE 1 | | |
|---------|-------------|-----------------|
| STYLE | "A" | SUB-T-1M33-XX-X |
| -01 | 2.35 [.093] | SUB-T-1M33-01-X |
| -02 | 3.95 [.156] | SUB-T-1M33-02-X |

| TABLE 3 | |
|-------------------|-------------------|
| STACK HEIGHT | |
| PART NUMBER | PES-XX-XX-X-VT-XX |
| PET-XX-XX-X-VT-XX | 8.8MM |

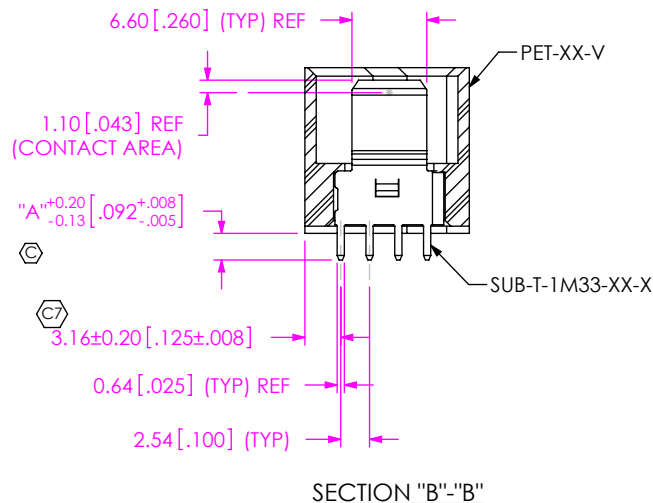
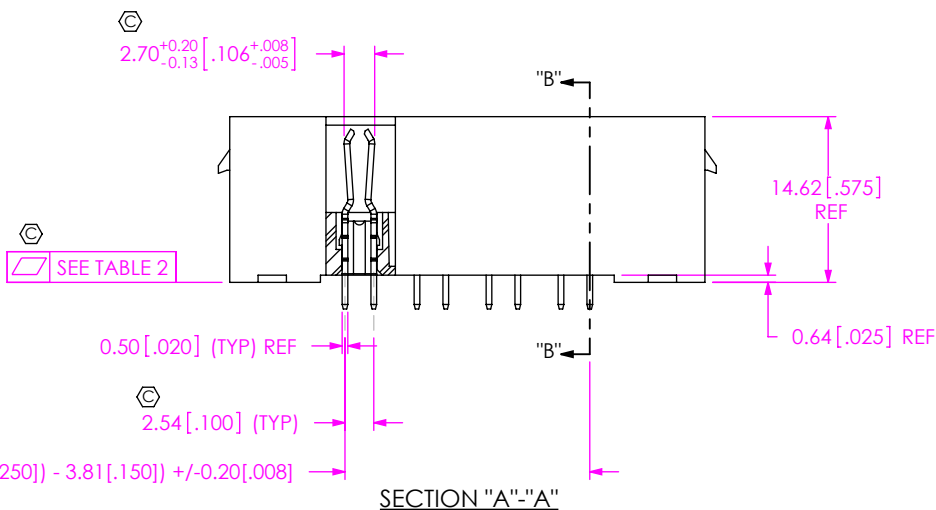
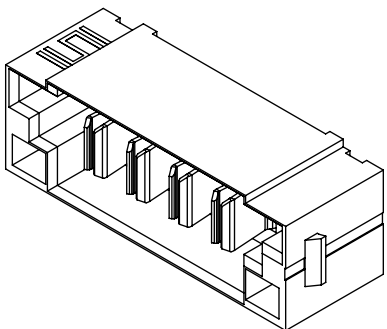


FIG 1
PET-04-02-X-VT SHOWN

| TABLE 2 | |
|-------------------|-------------|
| PART NUMBER | MAX |
| PET-02-XX-X-VT-XX | 0.15 [.006] |
| PET-04-XX-X-VT-XX | 0.15 [.006] |
| PET-06-XX-X-VT-XX | 0.20 [.008] |
| PET-08-XX-X-VT-XX | 0.20 [.008] |

NOTES:

1. REPRESENTS A CRITICAL DIMENSION.
2. BURR ALLOWANCE: 0.038[.0015] MAX.
3. MINIMUM PUSHOUT FORCE: 4.45N[1.0 LB].
4. PARTS TO BE PACKAGED IN TRAYS.



UNLESS OTHERWISE SPECIFIED, DIMENSIONS ARE IN MILLIMETERS. TOLERANCES ARE:
DECIMALS ANGLES
.X: ±0.3 [.01] 2°
.XX: ±0.13 [.005]
.XXX: ±0.051 [.0020]

PROPRIETARY NOTE
THIS DOCUMENT CONTAINS CONFIDENTIAL AND PROPRIETARY INFORMATION AND ALL DESIGN, MANUFACTURING, REPRODUCTION, USE, PATENT RIGHTS AND SALES RIGHTS ARE EXPRESSLY RESERVED BY SAMTEC, INC. THIS DOCUMENT SHALL NOT BE DISCLOSED, IN WHOLE OR PART, TO ANY UNAUTHORIZED PERSON OR ENTITY NOR REPRODUCED, TRANSFERRED OR INCORPORATED IN ANY OTHER PROJECT IN ANY MANNER WITHOUT THE EXPRESS WRITTEN CONSENT OF SAMTEC, INC.

MATERIAL: DO NOT SCALE DRAWING SHEET SCALE: 1.5:1
INSULATOR: LCP, COLOR: BLACK
TERMINAL: COPPER ALLOY



520 PARK EAST BLVD, NEW ALBANY, IN 47150
PHONE: 812-944-6733 FAX: 812-948-5047
e-Mail: info@SAMTEC.com code: 55322

DESCRIPTION:
VERTICAL POWER TERMINAL
DWG. NO.
PET-XX-XX-X-VT-XX-XX
BY: CHAD F 3/28/2005 SHEET 1 OF 2

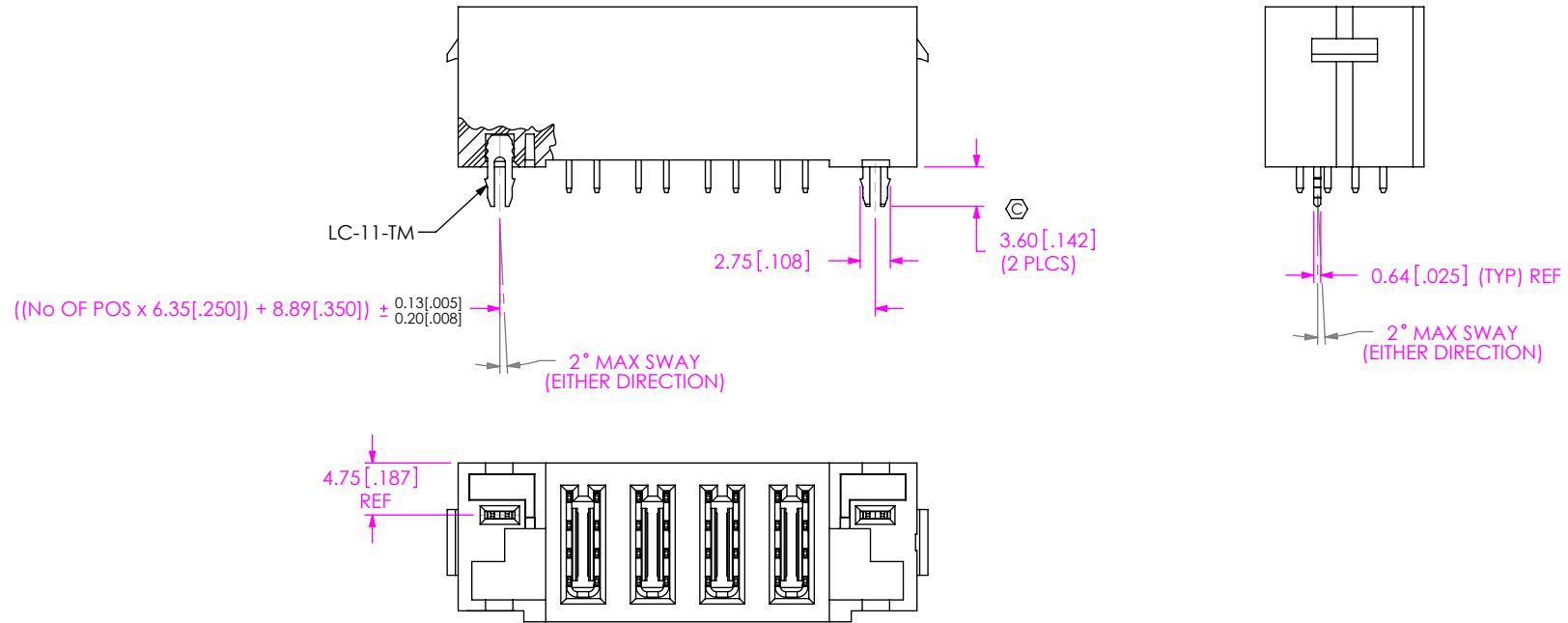


FIG 2
 PET-04-02-X-VT-LC SHOWN
 (SAME AS FIG 1, UNLESS OTHERWISE STATED)

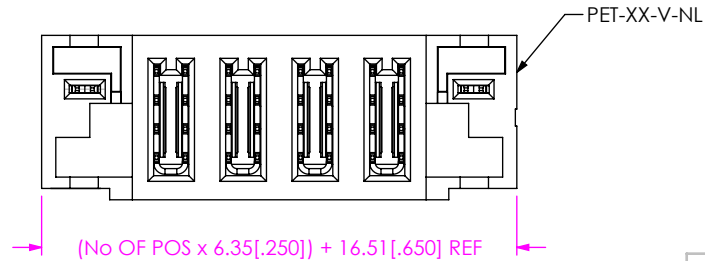


FIG 3
 -NL: OPTION
 PET-04-02-X-VT-NL-LC SHOWN
 (SAME AS FIG 1, UNLESS OTHERWISE STATED)

| | | |
|--|---|---|
| DO NOT SCALE DRAWING SHEET SCALE: 1.5:1 | * PROPRIETARY NOTE * THIS DOCUMENT CONTAINS CONFIDENTIAL AND PROPRIETARY INFORMATION AND ALL DESIGN, MANUFACTURING, REPRODUCTION, USE, PATENT RIGHTS AND SALES RIGHTS ARE EXPRESSLY RESERVED BY SAMTEC, INC. THIS DOCUMENT SHALL NOT BE DISCLOSED, IN WHOLE OR PART, TO ANY UNAUTHORIZED PERSON OR ENTITY NOR REPRODUCED, TRANSFERRED OR INCORPORATED IN ANY OTHER PROJECT IN ANY MANNER WITHOUT THE EXPRESS WRITTEN CONSENT OF SAMTEC, INC. |  520 PARK EAST BLVD, NEW ALBANY, IN 47150 PHONE: 812-944-6733 FAX: 812-948-5047 e-Mail: info@SAMTEC.com code: 55322 |
| | DESCRIPTION: VERTICAL POWER TERMINAL | |
| | DWG. NO. PET-XX-XX-X-VT-XX-XX | |
| BY: CHAD F 3/28/2005 | SHEET 2 OF 2 | |