



Chipsmall Limited consists of a professional team with an average of over 10 year of expertise in the distribution of electronic components. Based in Hongkong, we have already established firm and mutual-benefit business relationships with customers from,Europe,America and south Asia,supplying obsolete and hard-to-find components to meet their specific needs.

With the principle of “Quality Parts,Customers Priority,Honest Operation,and Considerate Service”,our business mainly focus on the distribution of electronic components. Line cards we deal with include Microchip,ALPS,ROHM,Xilinx,Pulse,ON,Everlight and Freescale. Main products comprise IC,Modules,Potentiometer,IC Socket,Relay,Connector.Our parts cover such applications as commercial,industrial, and automotives areas.

We are looking forward to setting up business relationship with you and hope to provide you with the best service and solution. Let us make a better world for our industry!



## Contact us

Tel: +86-755-8981 8866 Fax: +86-755-8427 6832

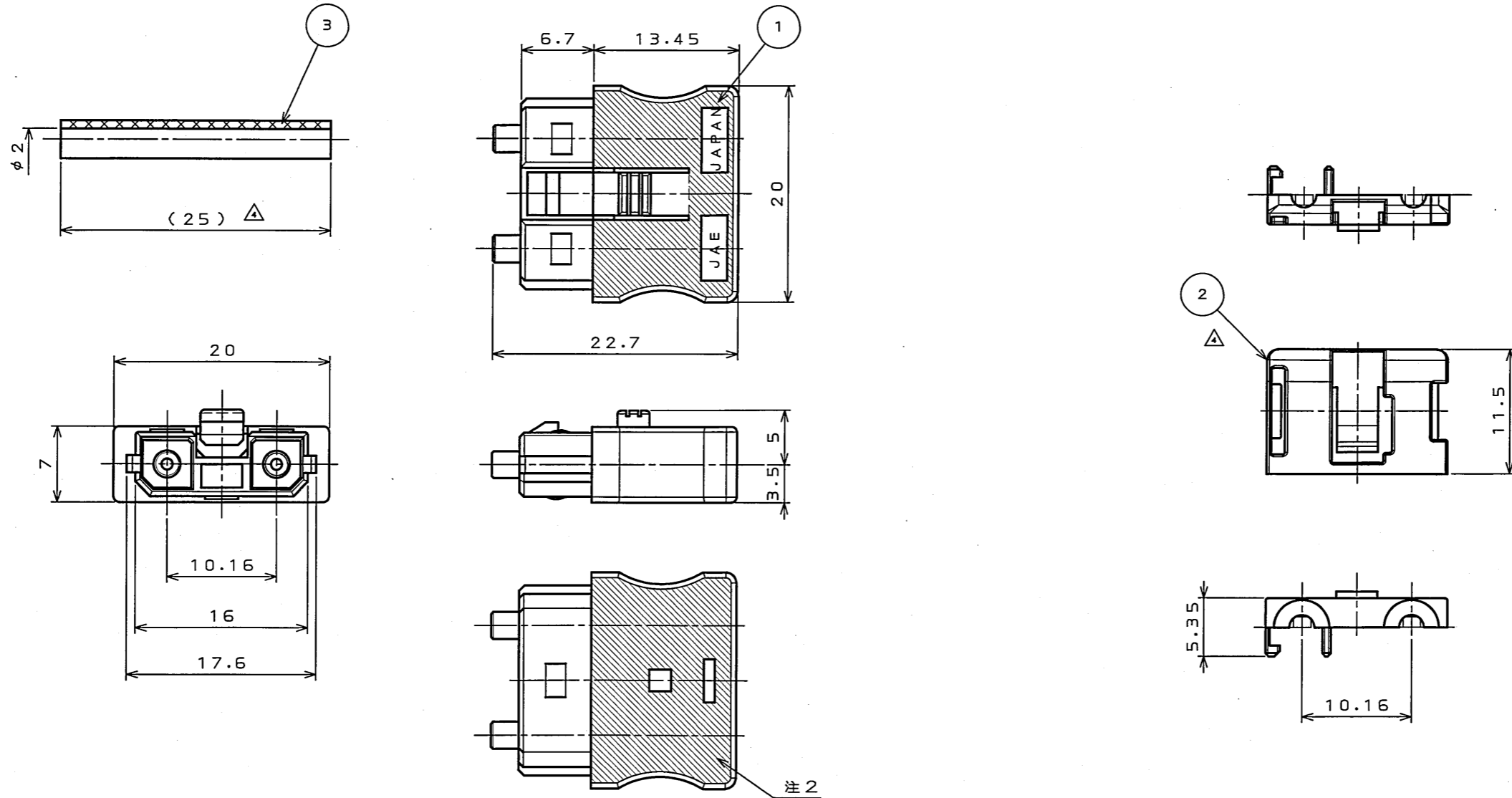
Email & Skype: info@chipsmall.com Web: www.chipsmall.com

Address: A1208, Overseas Decoration Building, #122 Zhenhua RD., Futian, Shenzhen, China



SJ037057  
(DRAWING NO.)

版数 REV.	年月日 DATE	DCN NO.	変更内容 DESCRIPTION	製図 DR.	担当 CHK.	査閲 APPD.	承認 APPD.
2	2002.9.6	50589	部品欄一部変更	田中(正)	嶋津	嶋津	小野川
3	2005.7.11	057356	品名変更	廣木	廣木	嶋津	小野川
4	2006.2.15	059384	一部形状変更	嶋津	嶋津	—	小野川



製品仕様

△名称：PF-2D101-R  
 規格：F07形2心光ファイバコネクタ(JIS C 5976)互換  
 適用ファイバ：プラスチックファイバ980/1000(φ2.2コード)  
 結線：圧着固定方式  
 端面加工：ホットプレート仕上げ方式  
 使用温度：-20~+70℃  
 保存温度：-40~+70℃(梱包状態)

注1. 梱包は、部品毎に個装し、納入します。  
 △注2. 斜線部は、シボ加工箇所を表します。

符号 NO.	名称 DESCRIPTION	個数 QTY.	材料 MATERIAL	仕上 FINISH	備考 REMARKS
3	PROTECTIVE TUBE	1	SYNTHETIC RUBBER	—	FOR PROTECTION OF FIBER TIP
2	CLAMP	2	SYNTHETIC RESIN	—	—
1	HOUSING	1	SYNTHETIC RESIN	—	—

仕様書(SPECIFICATION)	第1版(ORIGINAL DATE) 2002.6.27	尺度(SCALE) 2:1	シリーズ(SERIES) OPT	日本航空電子工業株式会社 JAPAN AVIATION ELECTRONICS INDUSTRY, LTD. 
公差(GENERAL TOLERANCE)	製図 DR.	名称(TITLE) △PF-2D101-R (F07 COMPATIBLE APF)		
寸法(DIMENSION)	担当 CHK.	質量(MASS)		
角度(ANGLES)	査閲 APPD.	図面番号(DRAWING NO.) SJ037057		
・ ±0.8	承認 APPD.	版数 (REV.) 4		
・X ±0.4	承認 APPD.			
・XX ±0.1				
・XXX ±				

DOF-0-212E(03.08)

