



Chipsmall Limited consists of a professional team with an average of over 10 year of expertise in the distribution of electronic components. Based in Hongkong, we have already established firm and mutual-benefit business relationships with customers from,Europe,America and south Asia,supplying obsolete and hard-to-find components to meet their specific needs.

With the principle of “Quality Parts,Customers Priority,Honest Operation,and Considerate Service”,our business mainly focus on the distribution of electronic components. Line cards we deal with include Microchip,ALPS,ROHM,Xilinx,Pulse,ON,Everlight and Freescale. Main products comprise IC,Modules,Potentiometer,IC Socket,Relay,Connector.Our parts cover such applications as commercial,industrial, and automotives areas.

We are looking forward to setting up business relationship with you and hope to provide you with the best service and solution. Let us make a better world for our industry!



## Contact us

Tel: +86-755-8981 8866 Fax: +86-755-8427 6832

Email & Skype: info@chipsmall.com Web: www.chipsmall.com

Address: A1208, Overseas Decoration Building, #122 Zhenhua RD., Futian, Shenzhen, China

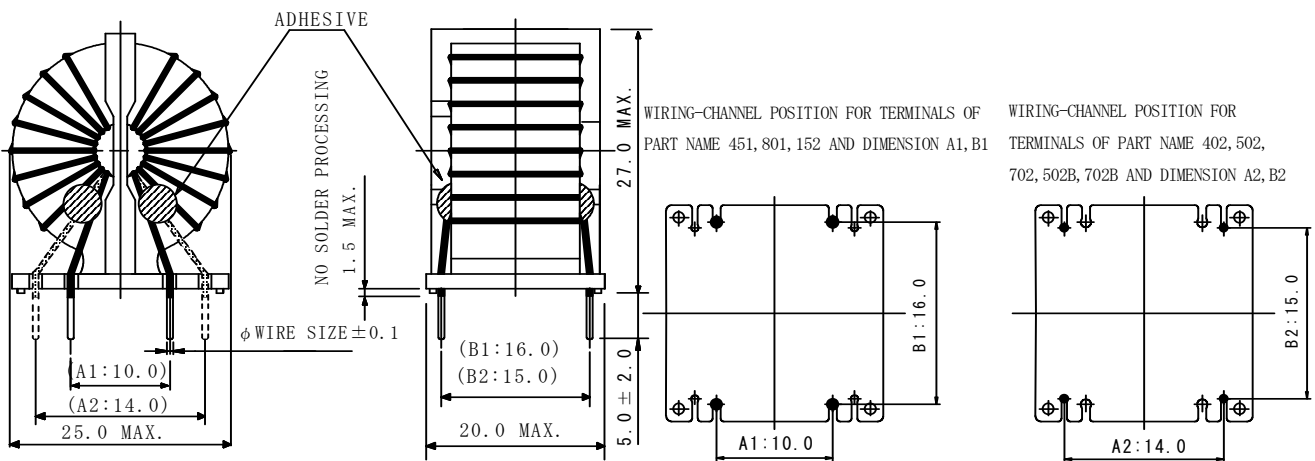


**Type: CPFC2225B**
**◆ Outline**

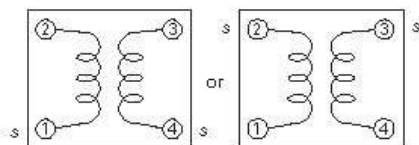
- 25.0×20.0mm Max.(L×W), 27.0mmMax. Height
- Inductance range: 0.8mH~7.0mH
- Rated current range: 3.0A~8.0A
- In addition to the standard versions of parameters shown here, custom designs are available to meet your exact requirements.


**◆ Feature**

- Safety standard conformance such as UL.
- Ideally used in TV, VCRs, OA devices.
- RoHS Compliance

**◆ Dimensions (mm)**


- \* Dimension does not include solder used on coil.
- \* Dimension without tolerance are approx.

**◆ Land Pattern (mm)**


- \* Winding start is #1, #4 or #2, #3.
- \* #1&#4, #2&#3 : should have same polarity.

**Type: CPFC2225B**
**◆ Specifications**

PART NO.	STAMP	WIRE SIZE (mm)	INDUCTANCE (mH) (1-2) OR (4-3) [MIN.]	INDUCTANCE BALANCE ( $\mu$ H) [MAX.]	D.C.R.(m $\Omega$ ) [at20°C] (1-2) OR (4-3) [MAX.]	CURRENT (Arms) (50Hz/60Hz) (1-4) ※1	RATED VOLTAGE (Vrms) (50Hz/60Hz)
PFC2225BNP-451	451	$\phi$ 1.0	0.45	30	9.2	9.5	250
PFC2225BNP-801	801	$\phi$ 1.0	0.8	50	12.5	8.0	250
PFC2225BNP-152	152	$\phi$ 0.8	1.5	80	26.0	5.0	250
PFC2225BNP-402	402	$\phi$ 0.7	4.0	100	54.0	4.0	250
PFC2225BNP-502	502	$\phi$ 0.6	5.0	150	81.0	3.0	250
PFC2225BNP-702	702	$\phi$ 0.5	7.0	200	135	2.5	250
PFC2225BNP-502B	502B	$\phi$ 0.7	5.0	150	61.0	3.5	250
PFC2225BNP-702B	702B	$\phi$ 0.7	7.0	200	70.0	3.0	250

\* Measuring frequency : Inductance 1kHz, 0.1V

\* Rated current : D.C. current when temperature of coil increased up to 60°C.(Ta=20°C)

※ Terminal #2 and #3 to be shorted when testing.

**◆ Impedance Characteristics**
