



Chipsmall Limited consists of a professional team with an average of over 10 year of expertise in the distribution of electronic components. Based in Hongkong, we have already established firm and mutual-benefit business relationships with customers from,Europe,America and south Asia,supplying obsolete and hard-to-find components to meet their specific needs.

With the principle of "Quality Parts,Customers Priority,Honest Operation,and Considerate Service",our business mainly focus on the distribution of electronic components. Line cards we deal with include Microchip,ALPS,ROHM,Xilinx,Pulse,ON,Everlight and Freescale. Main products comprise IC,Modules,Potentiometer,IC Socket,Relay,Connector.Our parts cover such applications as commercial,industrial, and automotives areas.

We are looking forward to setting up business relationship with you and hope to provide you with the best service and solution. Let us make a better world for our industry!



Contact us

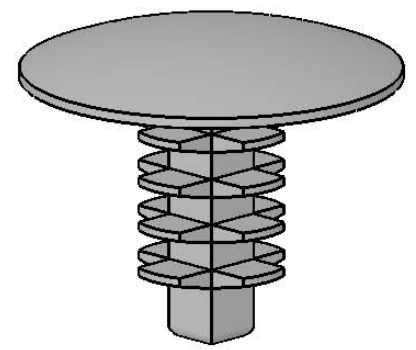
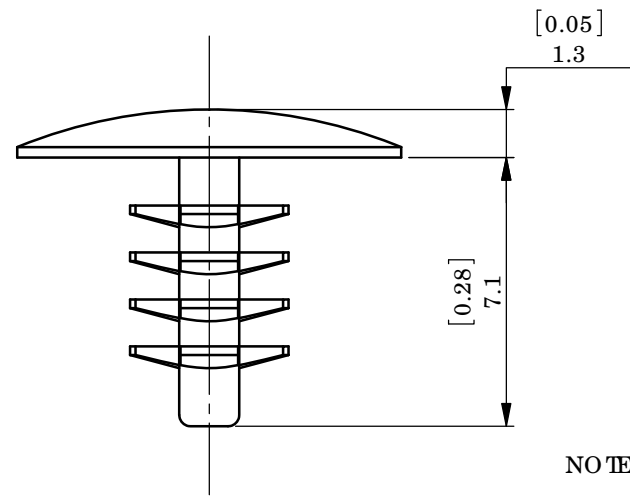
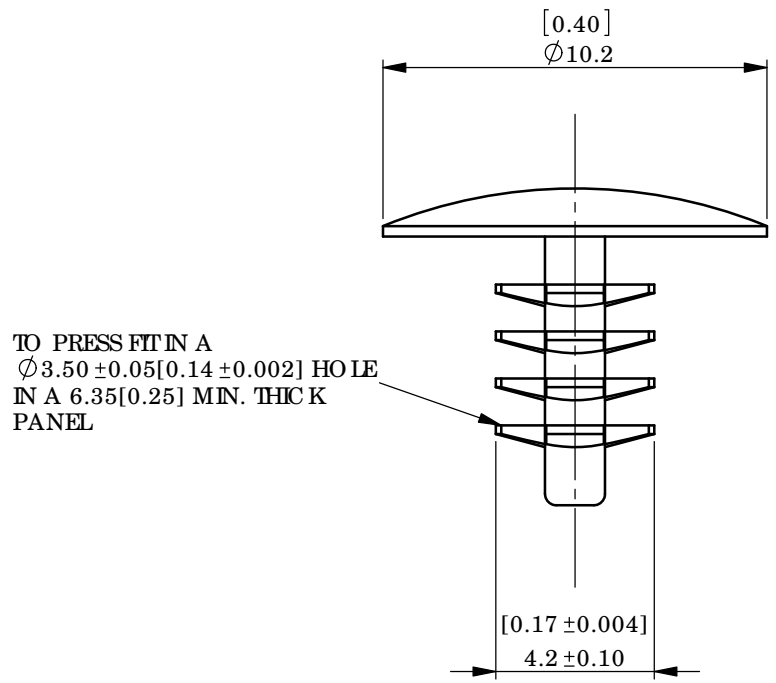
Tel: +86-755-8981 8866 Fax: +86-755-8427 6832

Email & Skype: info@chipsmall.com Web: www.chipsmall.com

Address: A1208, Overseas Decoration Building, #122 Zhenhua RD., Futian, Shenzhen, China



REV.	MODIFICATION.	DATE	DRN
04	CO2010058	18/02/08	SF
05	CO2010064	19/02/08	SF
06	CO2010181	11/04/08	SF



NOTE

PARTS AVAILABLE IN BLACK, ADD "BK" TO END OF PARTNUMBER:

PFP-7-01BK

INFORMATION CONTAINED IN THIS DOCUMENT IS CONFIDENTIAL TO RICHCO INTERNATIONAL Co. Ltd. AND MAY NOT BE DISCLOSED OR REPRODUCED IN WHOLE OR PART WITHOUT THEIR WRITTEN CONSENT.

	ALL DIMENSIONS IN mm GENERAL TOLERANCES ± 0.25 UNLESS OTHERWISE STATED 1 DECIMAL PLACE ± 0.25 2 DECIMAL PLACES ± 0.10 ANGULAR $\pm 1^\circ$	THIRD ANGLE
	MATERIAL: SEE TABLE COLOUR: NATURAL	

DESCRIPTION: PRESS FIT PIN
 PART No: SEE TABLE

DRG No: 375-0004	NPR No: N/A	Mass: (g) 0.9	SHEET SIZE A4
------------------	-------------	---------------	---------------

DRN SF	DATE 18/02/08	CHKD TC	DATE 18/02/08	SCALE NTS	SHEET No. 1 OF 1
--------	---------------	---------	---------------	-----------	------------------

PART NUMBER	MATERIAL
PFP-7-01	NYLON 6/6 UL94 V2(RMS-01)
PFP-7-19	NYLON 6/6 UL94 V0 (RMS-19)