



Chipsmall Limited consists of a professional team with an average of over 10 year of expertise in the distribution of electronic components. Based in Hongkong, we have already established firm and mutual-benefit business relationships with customers from,Europe,America and south Asia,supplying obsolete and hard-to-find components to meet their specific needs.

With the principle of “Quality Parts,Customers Priority,Honest Operation,and Considerate Service”,our business mainly focus on the distribution of electronic components. Line cards we deal with include Microchip,ALPS,ROHM,Xilinx,Pulse,ON,Everlight and Freescale. Main products comprise IC,Modules,Potentiometer,IC Socket,Relay,Connector.Our parts cover such applications as commercial,industrial, and automotives areas.

We are looking forward to setting up business relationship with you and hope to provide you with the best service and solution. Let us make a better world for our industry!



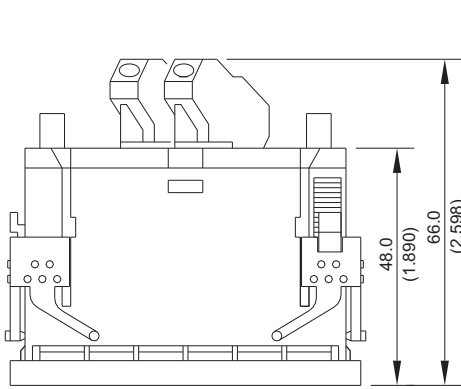
Contact us

Tel: +86-755-8981 8866 Fax: +86-755-8427 6832

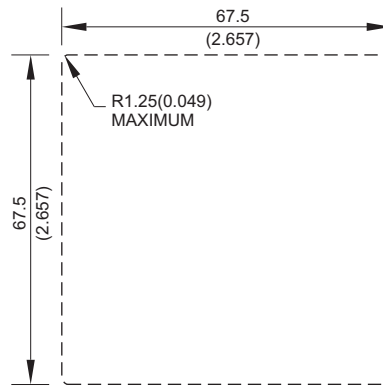
Email & Skype: info@chipsmall.com Web: www.chipsmall.com

Address: A1208, Overseas Decoration Building, #122 Zhenhua RD., Futian, Shenzhen, China





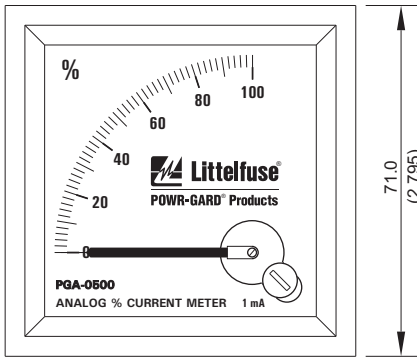
TOP



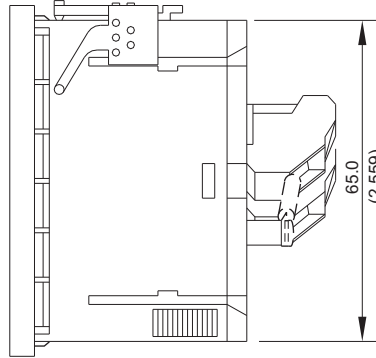
MOUNTING CUTOUT

NOTES:

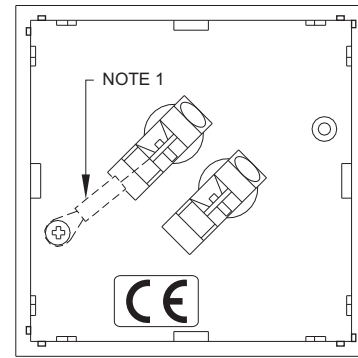
1. PGA-05CV CONVERSION KIT ONLY REQUIRED WHEN CONNECTED TO 0-5 V ANALOG OUTPUT. SEE PGA-05CV INSTALLATION DETAIL.
2. DIMENSIONS IN MILLIMETRES (INCHES).



FRONT

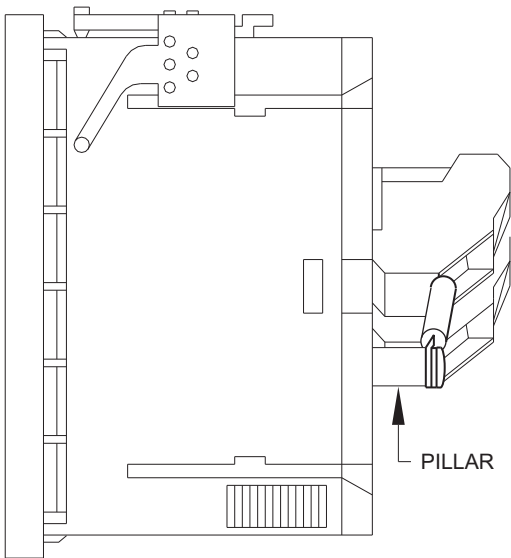


SIDE

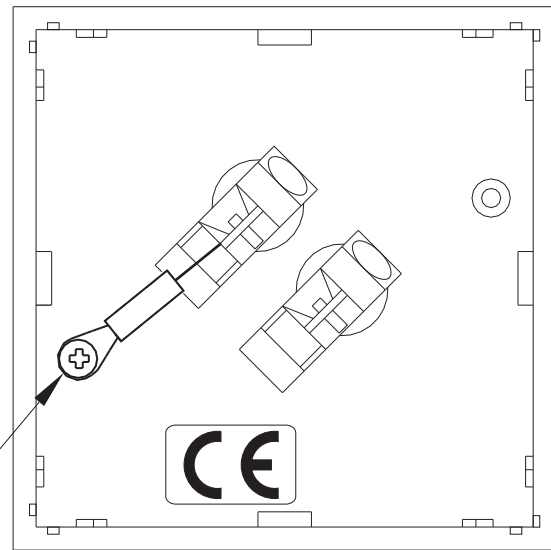


REAR

PGA-0500 ANALOG PERCENT CURRENT METER



SIDE



REAR

NOTES:

1. INSTALLATION INSTRUCTIONS:
 - LOOSEN TERMINAL BLOCK SCREW.
 - INSERT RESISTOR ASSEMBLY LEAD INTO TERMINAL.
 - POSITION RESISTOR ASSEMBLY LUG OVER PILLAR.
 - FASTEN TO PILLAR USING LOCK WASHER AND SCREW PROVIDED.
 - TIGHTEN TERMINAL BLOCK SCREW.

ATTENTION: PGA-05CV SHOULD ONLY BE INSTALLED WHEN PGA-0500 IS USED WITH 0-5 V ANALOG OUTPUT

PGA-05CV INSTALLATION DETAIL