



Chipsmall Limited consists of a professional team with an average of over 10 year of expertise in the distribution of electronic components. Based in Hongkong, we have already established firm and mutual-benefit business relationships with customers from,Europe,America and south Asia,supplying obsolete and hard-to-find components to meet their specific needs.

With the principle of “Quality Parts,Customers Priority,Honest Operation,and Considerate Service”,our business mainly focus on the distribution of electronic components. Line cards we deal with include Microchip,ALPS,ROHM,Xilinx,Pulse,ON,Everlight and Freescale. Main products comprise IC,Modules,Potentiometer,IC Socket,Relay,Connector.Our parts cover such applications as commercial,industrial, and automotives areas.

We are looking forward to setting up business relationship with you and hope to provide you with the best service and solution. Let us make a better world for our industry!



## Contact us

Tel: +86-755-8981 8866 Fax: +86-755-8427 6832

Email & Skype: info@chipsmall.com Web: www.chipsmall.com

Address: A1208, Overseas Decoration Building, #122 Zhenhua RD., Futian, Shenzhen, China

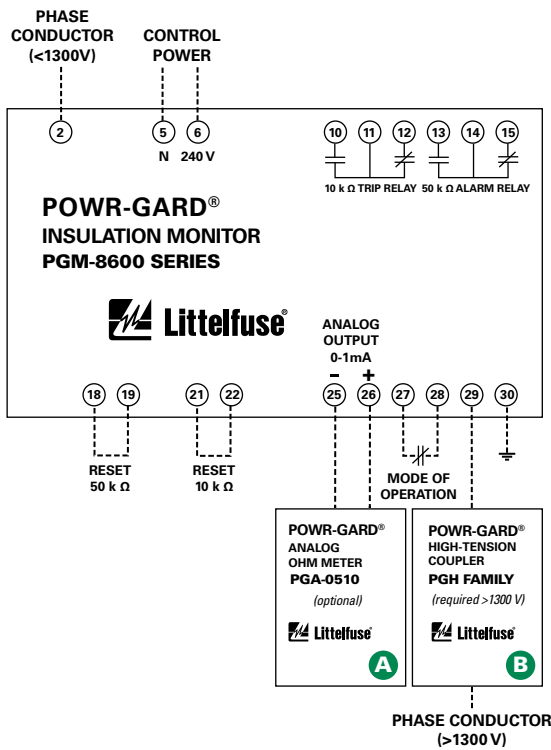


# PGM-8600 SERIES (GFR4001-IM)

## Insulation Monitor



### Wiring Diagram



### Ordering Information

CATALOG/ SYSTEM NUMBER	CONTROL POWER	
PGM-8600	240 Vac	
ACCESSORIES	REQUIREMENT	PAGE
PGH Family	Required >1300 V	42
PGA-0510	Optional	41

Note: For optional conformal coating please consult factory.


### Description


The PGM-8600 relay monitors the insulation resistance to ground for failures. It provides two warnings, one alarm, and an analog output for predictive maintenance. The relay can operate on 1 or 3-phase grounded, resistance grounded or ungrounded systems up to 6 kV. When the power system is de-energized, the relay monitors the insulation for damage, allowing for predictive maintenance and troubleshooting for developing ground faults. When the power system is energized in ungrounded systems, the relay continues to monitor the insulation. In grounded systems, the relay switches off to prevent nuisance tripping. The mode of operation terminals (27-28) are connected to the circuit breaker or contactor auxiliary contacts to toggle the relay off when the contactor or breaker is closed.

### Features & Benefits

FEATURES	BENEFITS
<b>Analog Output (0–1 mA)</b>	Provides means for connecting an optional PGA-0510 meter to display insulation resistance.
<b>Output Contacts (50 kΩ)</b>	Form C output contact for alarming purposes
<b>Output Contacts (10 kΩ)</b>	Form C output contact for tripping purposes

### Accessories

**A**  **PGA-0510 Analog Ohm Meter**  
Optional PGA-0510 Analog meter allows for remote metering of insulation resistance.

**B**  **PGH Family High Tension Couplers**  
Required (for systems >1,300 V) PGH Family high-tension coupler must be connected between the phase conductor and the PGM-8600 insulation monitor.

### Specifications

<b>IEEE Device Numbers</b>	Lockout Relay (86)
<b>Input Voltage</b>	240 Vac, 50–60 Hz
<b>Dimensions</b>	<b>H</b> 99.7 mm (3.9"); <b>W</b> 75 mm (3"); <b>D</b> 110 mm (4.3")
<b>Resistance Ratings</b>	Insulation warnings (30 kΩ and 50 kΩ) Insulation alarm (10 kΩ)
<b>Contact Operating Mode</b>	Non-fail-safe
<b>Test Button</b>	Standard feature
<b>Reset Button</b>	Standard feature
<b>Output Contacts</b>	Two Form C
<b>Communications</b>	Analog output
<b>Conformally Coated</b>	Optional
<b>Warranty</b>	5 years
<b>Mounting</b>	DIN, Surface