



Chipsmall Limited consists of a professional team with an average of over 10 year of expertise in the distribution of electronic components. Based in Hongkong, we have already established firm and mutual-benefit business relationships with customers from,Europe,America and south Asia,supplying obsolete and hard-to-find components to meet their specific needs.

With the principle of “Quality Parts,Customers Priority,Honest Operation,and Considerate Service”,our business mainly focus on the distribution of electronic components. Line cards we deal with include Microchip,ALPS,ROHM,Xilinx,Pulse,ON,Everlight and Freescale. Main products comprise IC,Modules,Potentiometer,IC Socket,Relay,Connector.Our parts cover such applications as commercial,industrial, and automotives areas.

We are looking forward to setting up business relationship with you and hope to provide you with the best service and solution. Let us make a better world for our industry!



## Contact us

Tel: +86-755-8981 8866 Fax: +86-755-8427 6832

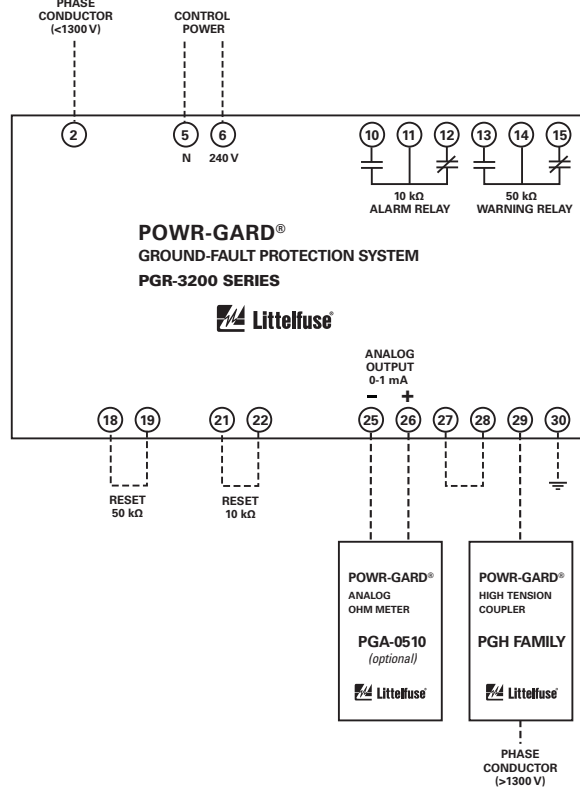
Email & Skype: info@chipsmall.com Web: www.chipsmall.com

Address: A1208, Overseas Decoration Building, #122 Zhenhua RD., Futian, Shenzhen, China



## PGR-3200 SERIES

### Ground-Fault Protection System



### Description

The PGR-3200 continuously monitors the insulation integrity of ungrounded electrical systems for ground faults. The relay provides two warnings for predictive purposes and one alarm.

When the power system is de-energized, the relay monitors the insulation for damage, providing predictive maintenance and troubleshooting for developing ground faults.

When the power system is energized, the relay monitors the system for ground faults and provides warnings as well as an alarm.

### Applications

The units operate on ungrounded systems up to 6 kV, 1-phase or 3-phase, 50 or 60 Hz. The relay can be directly connected to power systems up to 1,300 V. Higher voltage requires a pre-calibrated high tension coupler (PGH) connected between the phase conductor and the relay.

### Features/Benefits

- Meets National Electrical Code (NEC®) Article 250.21(B) requirements for ungrounded systems
- Provides 2 warnings at different levels (30 kΩ and 50 kΩ) and 1 alarm (10 kΩ)
- Analog output and optional meter (PGA-0510)
- DIN-rail or surface mount for ease of installation

### Ordering Information

PGR-3200	240 Vac Control Power
----------	-----------------------

### Specifications

<b>IEEE Device Numbers</b>	27, 64
<b>Input Voltage</b>	240 Vac, 50–60 Hz
<b>Dimensions</b>	<b>H</b> 99.7 mm (3.9"); <b>W</b> 75 mm (3"); <b>D</b> 110 mm (4.3")
<b>Resistance Ratings</b>	Insulation warning (30 kΩ and 50 kΩ) Insulation alarm (10 kΩ)
<b>Contact Operating Mode</b>	Non-fail-safe
<b>Test Button</b>	Standard
<b>Reset Button</b>	Standard
<b>Relay Contacts</b>	N.O and N.C. (warning and alarm)
<b>Communications</b>	Analog Output
<b>Conformally Coated</b>	Optional
<b>Warranty</b>	5 Year
<b>Mounting</b>	DIN, Surface

See pg. 31-36 for Current Transformer Selection Guide and Accessory Information.