



Chipsmall Limited consists of a professional team with an average of over 10 year of expertise in the distribution of electronic components. Based in Hongkong, we have already established firm and mutual-benefit business relationships with customers from,Europe,America and south Asia,supplying obsolete and hard-to-find components to meet their specific needs.

With the principle of “Quality Parts,Customers Priority,Honest Operation,and Considerate Service”,our business mainly focus on the distribution of electronic components. Line cards we deal with include Microchip,ALPS,ROHM,Xilinx,Pulse,ON,Everlight and Freescale. Main products comprise IC,Modules,Potentiometer,IC Socket,Relay,Connector.Our parts cover such applications as commercial,industrial, and automotives areas.

We are looking forward to setting up business relationship with you and hope to provide you with the best service and solution. Let us make a better world for our industry!



Contact us

Tel: +86-755-8981 8866 Fax: +86-755-8427 6832

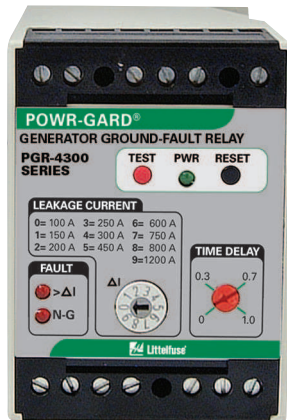
Email & Skype: info@chipsmall.com Web: www.chipsmall.com

Address: A1208, Overseas Decoration Building, #122 Zhenhua RD., Futian, Shenzhen, China

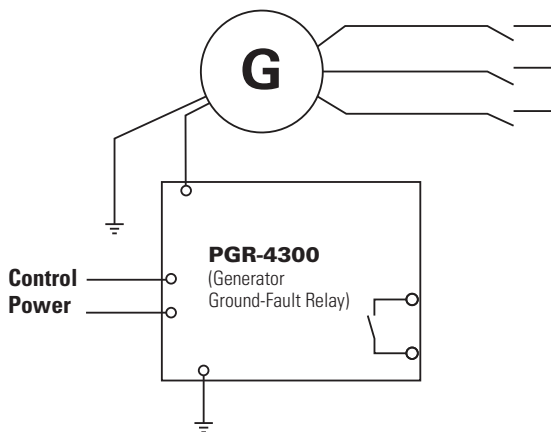


PGR-4300 SERIES (GFA300)

Generator Ground-Fault Relay



Simplified Circuit Diagram



Description

The PGR-4300 Generator Ground-Fault Relay provides a simple method for detecting a ground-fault condition on generators without the need for current transformers (CTs). This greatly simplifies the installation. In addition, it is compatible with both three- and four-pole transfer switches. This relay also monitors the neutral-to-ground path for continuity. The PGR-4300 is ideal for any generator or application where there is not sufficient space to install CTs.

Features & Benefits

| FEATURES | BENEFITS |
|--|--|
| No CTs required | Saves space and simplifies installation |
| Adjustable pickup (100 - 1200 A) | Adjustable trip setting provides a wide range of protection and allows system coordination |
| Adjustable time delay (0 - 1.0 s) | Adjustable trip delay allows quick protection and system coordination |
| Output contacts | Form C ground-fault output contacts for alarming or tripping purposes |
| Analog output (0 - 1 mA) | Provides means for connecting to an optional meter (PGA-0500) or control system |
| N-G continuity alarm | Monitors neutral-to-ground integrity and alarms if ground path becomes open circuit |
| Passive filtering | Eliminates nuisance tripping |

Accessories



PGA-0500 Analog % Current Meter
Optional panel-mounted analog meter displays ground-fault current as a percentage of the set-point.

Ordering Information

| ORDERING NUMBER | CONTROL POWER |
|-----------------|---------------|
| PGR-4300-12 | 12 Vdc |
| PGR-4300-24 | 24 Vdc |
| PGR-4300-120 | 120 Vac |
| ACCESSORIES | REQUIREMENT |
| PGA-0500 | Optional |
| PMA-55 | Optional |
| PMA-60 | Optional |

Note: For optional conformal coating please consult factory.

Specifications

| | |
|---------------------------------|--|
| IEEE Device Numbers | Ground Fault (50G/N, 51G/N) |
| Input Voltage | See ordering information |
| Dimensions | H 75 mm (3.0"); W 55 mm (2.2"); D 115 mm (4.5") |
| Trip Level Settings | 100-1200 A |
| Trip Time Delay Settings | 0-1.0 s |
| Contact Operating Mode | Non-fail-safe |
| Test Button | Local |
| Reset Button | Local and remote |
| Output Contacts | Form C |
| Analog Output | 0-1 mA |
| Conformally Coated | Consult factory |
| Approvals | UL Listed (E183688) |
| Warranty | 5 years |
| Mounting | DIN, Surface (standard) Panel (with PMA-55 or PMA-60 adapter) |