



Chipsmall Limited consists of a professional team with an average of over 10 year of expertise in the distribution of electronic components. Based in Hongkong, we have already established firm and mutual-benefit business relationships with customers from,Europe,America and south Asia,supplying obsolete and hard-to-find components to meet their specific needs.

With the principle of "Quality Parts,Customers Priority,Honest Operation,and Considerate Service",our business mainly focus on the distribution of electronic components. Line cards we deal with include Microchip,ALPS,ROHM,Xilinx,Pulse,ON,Everlight and Freescale. Main products comprise IC,Modules,Potentiometer,IC Socket,Relay,Connector.Our parts cover such applications as commercial,industrial, and automotives areas.

We are looking forward to setting up business relationship with you and hope to provide you with the best service and solution. Let us make a better world for our industry!



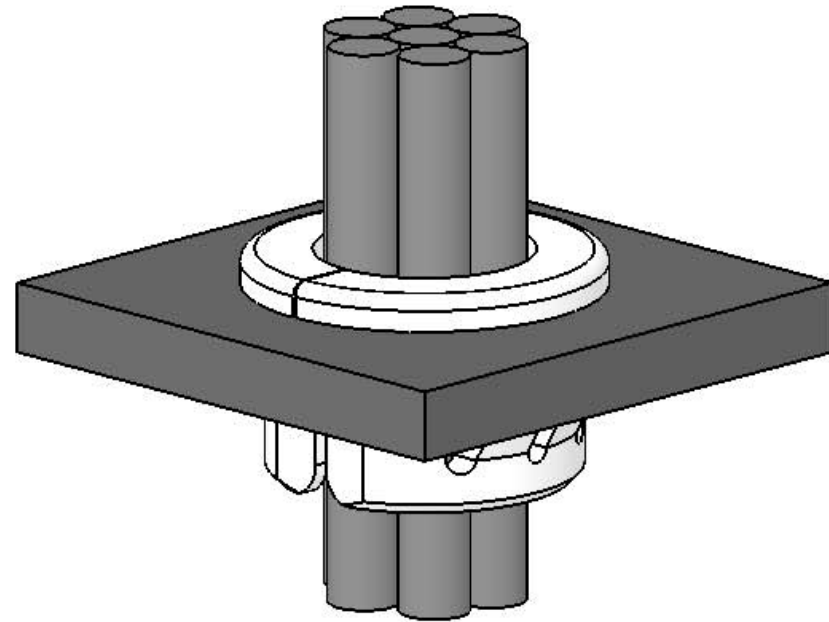
Contact us

Tel: +86-755-8981 8866 Fax: +86-755-8427 6832

Email & Skype: info@chipsmall.com Web: www.chipsmall.com

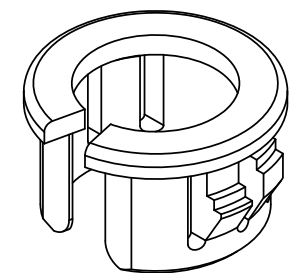
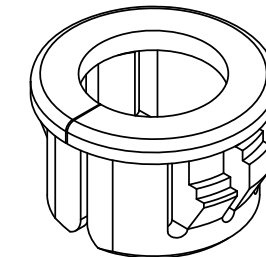
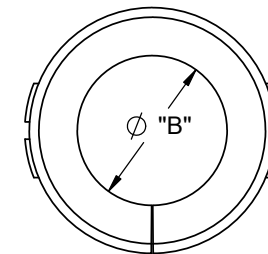
Address: A1208, Overseas Decoration Building, #122 Zhenhua RD., Futian, Shenzhen, China



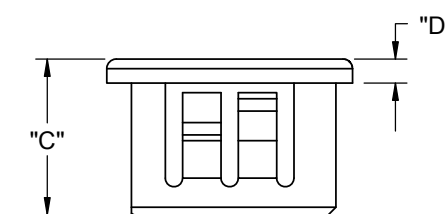
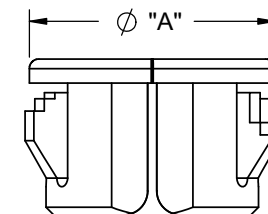


TYPICAL APPLICATION

PART NO.	PANEL THICKNESS RANGE	MOUNTING HOLE DIAMETER	"A" REF	"B" MAX. HOLDING BUNDLE DIA.	"C"±.010 [±0.25]	"D"
PGSB-0609A	.028-.067 [0.7-1.7]	.375±.004 [9.5±0.1]	.450 [11.4]	.260 [6.6]	.26 [6.5]	.051 [1.3]
PGSB-1A	.031-.125 [0.8-3.2]	.375±.004 [9.5±0.1]	.421 [10.7]	.265 [6.7]	.390 [9.9]	.051 [1.3]
PGSB-2A	.031-.125 [0.8-3.2]	.437±.004 [11.1±0.1]	.500 [12.7]	.312 [7.9]	.406 [10.3]	.063 [1.6]
PGSB-1013A	.031-.138 [0.8-3.5]	.512±.004 [13±0.1]	.587 [14.9]	.35 [9]	.41 [10.5]	.059 [1.5]
PGSB-3A	.031-.125 [0.8-3.2]	.562±.004 [14.3±0.1]	.640 [16.3]	.390 [9.9]	.406 [10.3]	.063 [1.6]
PGSB-1216A	.028-.130 [0.7-3.3]	.650±.004 [16.5±0.1]	.734 [18.6]	.48 [12.3]	.39 [10]	.039 [1]
PGSB-1316A	.047-.138 [1.2-3.5]	.630±.004 [16±0.1]	.709 [18]	.41 [10.5]	.41 [10.5]	.063 [1.6]
PGSB-1519A	.047-.130 [1.2-3.3]	.748±.004 [19±0.1]	.811 [20.6]	.57 [14.5]	.43 [11]	.051 [1.3]
PGSB-1822A	.039-.138 [1-3.5]	.866±.004 [22±0.1]	.976 [24.8]	.68 [17.3]	.45 [11.5]	.063 [1.6]
PGSB-4A	.031-.125 [0.8-3.2]	1.000 ^{+.020} _{-.005} [25.4 ^{+.05} _{-.1}]	1.047 [26.6]	.812 [20.6]	.406 [10.3]	.063 [1.6]
PGSB-5A	.031-.125 [0.8-3.2]	1.093 ^{+.020} _{-.005} [27.8 ^{+.05} _{-.1}]	1.156 [29.4]	.875 [22.2]	.406 [10.3]	.063 [1.6]
PGSB-6A	.031-.125 [0.8-3.2]	1.250 ^{+.020} _{-.005} [31.8 ^{+.05} _{-.1}]	1.343 [34.1]	1.046 [26.6]	.406 [10.3]	.063 [1.6]
PGSB-7A	.031-.125 [0.8-3.2]	1.375 ^{+.020} _{-.005} [34.9 ^{+.05} _{-.1}]	1.468 [37.3]	1.171 [29.7]	.406 [10.3]	.063 [1.6]
PGSB-8A	.031-.125 [0.8-3.2]	1.500 ^{+.020} _{-.005} [38.1 ^{+.05} _{-.1}]	1.578 [40.1]	1.250 [31.7]	.421 [10.7]	.063 [1.6]
PGSB-9A	.031-.118 [0.8-3]	.984 ^{+.012} _{-.005} [25 ^{+.03} _{-.1}]	1.039 [26.4]	.803 [20.4]	.406 [10.3]	.063 [1.6]



OPEN



NOTES:

- MATERIAL: NYLON 6/6 UL 94 V-2 (RMS-01)
-NYLON 6/6 UL 94 V-0 (RMS-19),
AVAILABLE BY SPECIAL ORDER ONLY. TO ORDER, ADD SUFFIX "-V0"
- COLOR: BLACK.
COLOR WHITE, AVAILABLE BY SPECIAL ORDER ONLY.
- SOME PARTS MAY APPEAR WITH RICHCO LOGO.

REV.	DESCRIPTION	ENGR.	DATE
G	SEE CO 200743 FOR CHANGES	SK	02/14/2012
F	SEE CO 200728 FOR CHANGES	SK	10/18/11
E	SEE CO 200335 FOR CHANGES	SK	03/12/09
D	SEE CO 200097 FOR CHANGES	SK	01/04/08
-	SEE ENGINEERING FOR REV A-C	--	----

TITLE: SNAP BUSHING OPEN				DWG IN IN [MM]		FINAL	
CREATED USING SOLIDWORKS	FILE #: PGSB-A	DWN: SK	APP: S.K.	PART #		PRINT TYPE	
TOLERANCES UNLESS NOTED .XX=±.010 .XXX=±.005 FRAC.=±1/64 ANG.=±1°	SHEET: 1 OF 1 SHEET SIZE: B	DT: 06/14/06	CHKD: D.Z.	SEE TABLE		CA	
RE: RICHCO, INC.		RICHCO, INC. ENG@RICHCO-INC.COM (773) 539-4060					