



Chipsmall Limited consists of a professional team with an average of over 10 year of expertise in the distribution of electronic components. Based in Hongkong, we have already established firm and mutual-benefit business relationships with customers from,Europe,America and south Asia,supplying obsolete and hard-to-find components to meet their specific needs.

With the principle of “Quality Parts,Customers Priority,Honest Operation,and Considerate Service”,our business mainly focus on the distribution of electronic components. Line cards we deal with include Microchip,ALPS,ROHM,Xilinx,Pulse,ON,Everlight and Freescale. Main products comprise IC,Modules,Potentiometer,IC Socket,Relay,Connector.Our parts cover such applications as commercial,industrial, and automotives areas.

We are looking forward to setting up business relationship with you and hope to provide you with the best service and solution. Let us make a better world for our industry!



Contact us

Tel: +86-755-8981 8866 Fax: +86-755-8427 6832

Email & Skype: info@chipsmall.com Web: www.chipsmall.com

Address: A1208, Overseas Decoration Building, #122 Zhenhua RD., Futian, Shenzhen, China



Switch Mode Transformer for AC/DC offline Applications

EE16H, EE16V, EF20H and EF25V Platforms



- AC/DC offline Switch Mode Transformer
- Hipot up to 3000Vrms
- Flyback Topology
- Operational Insulation
- Matched to Tiny Switch and Top Switch chipsets
- Custom Design Available: <60W with up to Reinforced Insulation

Electrical Specifications @ 25°C - Operating Temperature -40°C to +125°C

Model	Parameter	Winding	Value	Unit	Notes
PH0256NL	Pri. Inductance	(3-2)	2800	$\mu\text{H} \pm 15\%$	<p>FLYBACK TRANSFORMER</p>
	Lk. Inductance	w/ (4,5,8,10)	65	μH max shorted	
	DCR	(3-2)	3.3	Ω Max	
			0.02		
			0.13		
	Hi-Pot	Pri-Sec	500	Vrms	
	K1 Factor		10100		
PI IC's		TNY264/274			
PH0259NL	Pri. Inductance	(4-1)	1800	$\mu\text{H} \pm 15\%$	<p>FLYBACK TRANSFORMER</p>
	Lk. Inductance	w/ (5,6,7,8)	60	μH max shorted	
	DCR	(4-1)	2.556	Ω Max	
			0.0168		
			0.174		
	Hi-Pot	Pri-Sec	500	Vrms	
	K1 Factor		7200		
PI IC's		TNY266/274			
PH0262NL	Pri. Inductance	(3-1)	790	$\mu\text{H} \pm 10\%$	<p>FLYBACK TRANSFORMER</p>
	Lk. Inductance	w/ (4,5,9,10)	30	μH max shorted	
	DCR	(3-1)	1.085	Ω Max	
			0.015		
			0.026		
	Hi-Pot	Pri-Sec	3000	Vrms	
	K1 Factor		4030		
PI IC's		TNY279			

Switch Mode Transformer for AC/DC offline Applications

EE16H, EE16V, EF20H and EF25V Platforms



PH0270NL	Pri. Inductance	(3-1)	876 μ H \pm 10%		
	Lk. Inductance	(3-1) w/ (4,5,6,7,9,10)	28 μ H max shorted		
	DCR	(3-1)	0.5		Ω Max
		(5-4)	0.026		
		(6-7)	0.025		
		(9-10)	0.025		
	Hi-Pot	Pri-Sec	1500		Vrms
	K1 Factor		2900		
PI IC's	TOP244 / 245 / 246 / 254 / 264				

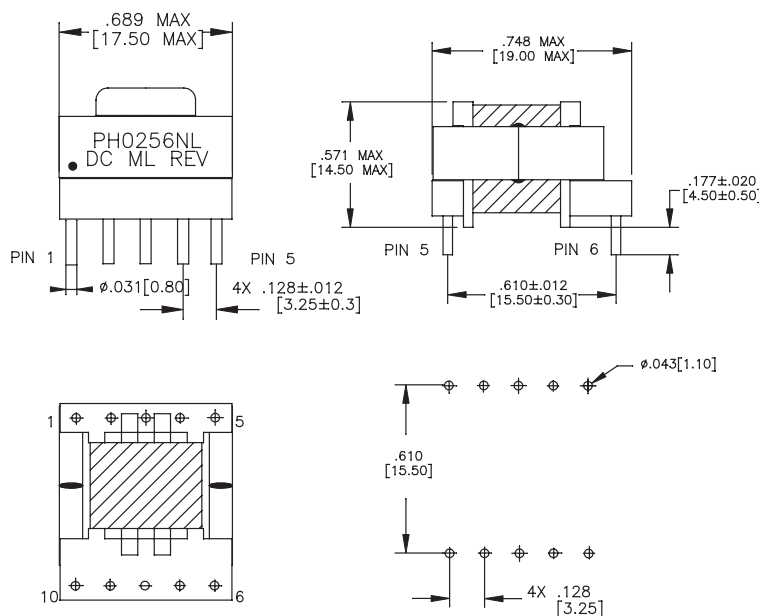
- Notes:**
- The temperature of the component (ambient plus temperature rise) must be within the stated operating temperature range.
 - The above transformers and inductors have been tested and approved by Pulse's power IC partners and are sited in the appropriate datasheet or evaluation board documentation at these companies. To determine which IC and IC partners are matched with the above Pulse part numbers please consult the IC Cross Reference on the Pulse website.
 - For flyback topology applications, it is necessary to ensure that the transformer will not saturate in the application. The peak flux density (Bpk) should remain below 2700Gauss. To calculate the peak density, use the following formula:

$$B_{pk} \text{ (Gauss)} = K1_Factor * I_{pk} \text{ (A)}$$
 - In high volt-sec applications, it is important to calculate the core loss of the transformer. Approximate transformer core loss can be calculated as:

$$CoreLoss \text{ (W)} = 3.6E-14 * (Freq_kHz)^{1.63} * (\Delta B_Gauss)^{2.63}$$
 where ΔB can be calculated as:
 For Flyback Topology: $\Delta B = K1_Factor * \Delta(A)$
 For Forward Topology: $\Delta B = K1_Factor * Volt\text{-}\mu\text{sec}$
 - The "NL" suffix indicates an RoHS-compliant part number. Non-NL suffixed parts are not necessarily RoHS compliant, but are electrically and mechanically equivalent to NL versions. If a part number does not have the "NL" suffix, but an RoHS compliant version is required, please contact Pulse for availability.

Mechanical

PH0256NL



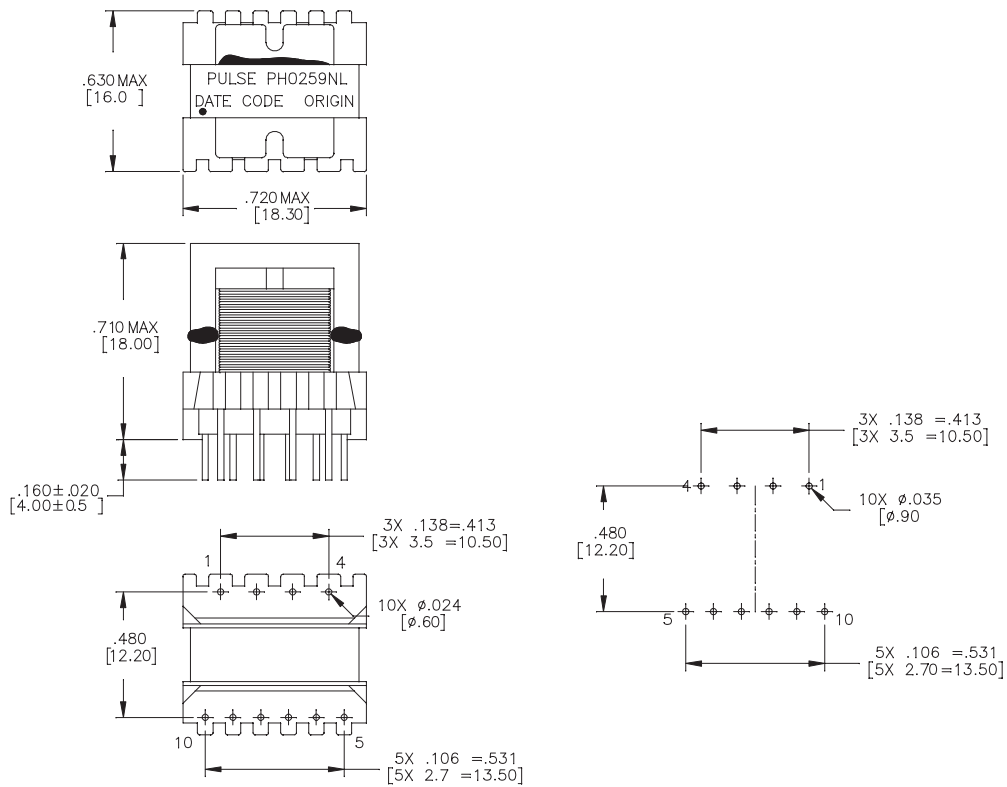
Switch Mode Transformer for AC/DC offline Applications

EE16H, EE16V, EF20H and EF25V Platforms

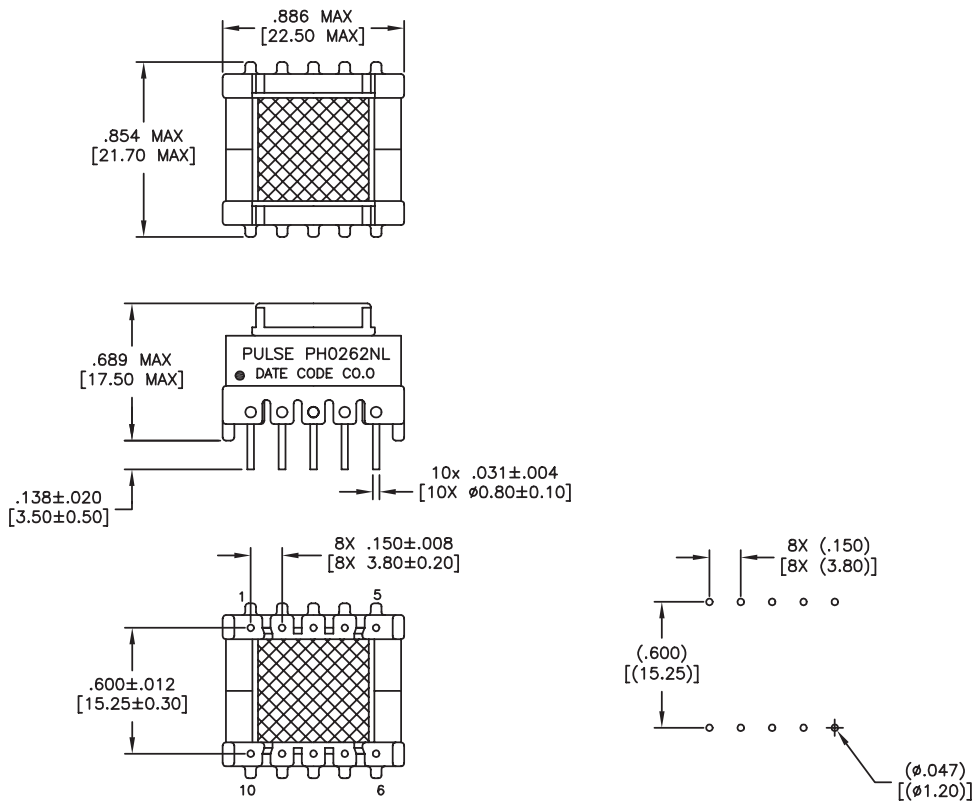


Mechanical

PH0259NL



PH0262NL

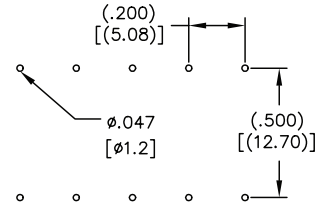
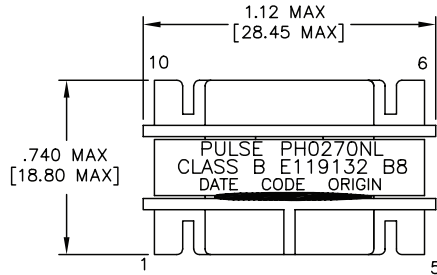


Switch Mode Transformer for AC/DC offline Applications

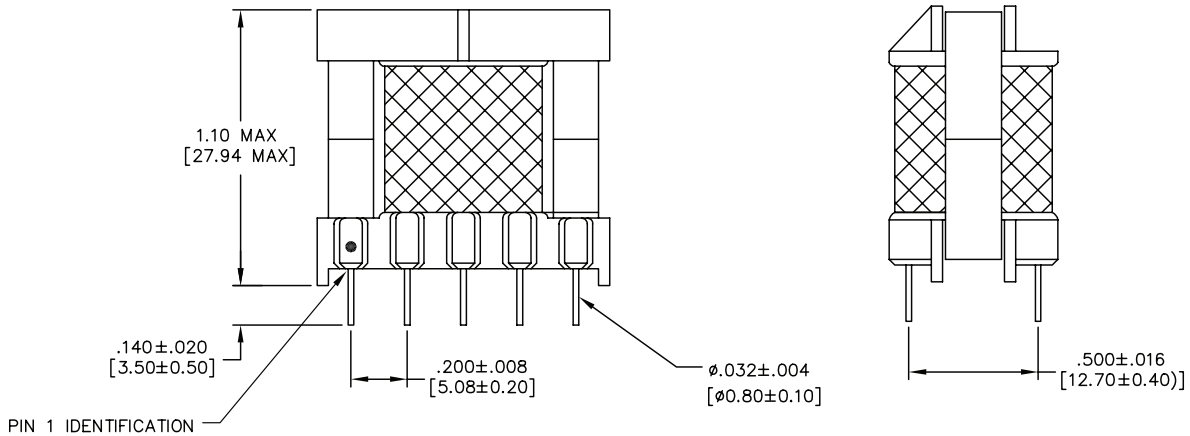
EE16H, EE16V, EF20H and EF25V Platforms

Mechanical

PH0270NL



SUGGESTED LAND PATTERN



For More Information

Pulse Worldwide Headquarters

12220 World Trade Drive
San Diego, CA
92128
U.S.A.

Tel: 858 674 8100
Fax: 858 674 8262

Pulse Europe

Einsteinstrasse 1
D-71083 Herrenberg
Germany

Tel: 49 7032 78060
Fax: 49 7032 7806 135

Pulse China Headquarters

B402, Shenzhen Academy of
Aerospace Technology Bldg.
10th Kejinan Road
High-Tech Zone
Nanshan District
Shenzhen, PR China
518057
Tel: 86 755 33966678
Fax: 86 755 33966700

Pulse North China

Room 2704/2705
Super Ocean Finance
Ctr.
2067 Yan An Road
West
Shanghai 200336
China

Tel: 86 21 62787060
Fax: 86 2162786973

Pulse South Asia

135 Joo Seng Road
#03-02
PM Industrial Bldg.
Singapore 368363

Tel: 65 6287 8998
Fax: 65 6287 8998

Pulse North Asia

3F, No. 198
Zhongyuan Road
Zhongli City
Taoyuan County 320
Taiwan R. O. C.

Tel: 886 3 4356768
Fax: 886 3 4356823 (Pulse)
Fax: 886 3 4356820 (FRE)

Performance warranty of products offered on this data sheet is limited to the parameters specified. Data is subject to change without notice. Other brand and product names mentioned herein may be trademarks or registered trademarks of their respective owners. © Copyright, 2013. Pulse Electronics, Inc. All rights reserved.