



Chipsmall Limited consists of a professional team with an average of over 10 year of expertise in the distribution of electronic components. Based in Hongkong, we have already established firm and mutual-benefit business relationships with customers from,Europe,America and south Asia,supplying obsolete and hard-to-find components to meet their specific needs.

With the principle of “Quality Parts,Customers Priority,Honest Operation,and Considerate Service”,our business mainly focus on the distribution of electronic components. Line cards we deal with include Microchip,ALPS,ROHM,Xilinx,Pulse,ON,Everlight and Freescale. Main products comprise IC,Modules,Potentiometer,IC Socket,Relay,Connector.Our parts cover such applications as commercial,industrial, and automotives areas.

We are looking forward to setting up business relationship with you and hope to provide you with the best service and solution. Let us make a better world for our industry!



Contact us

Tel: +86-755-8981 8866 Fax: +86-755-8427 6832

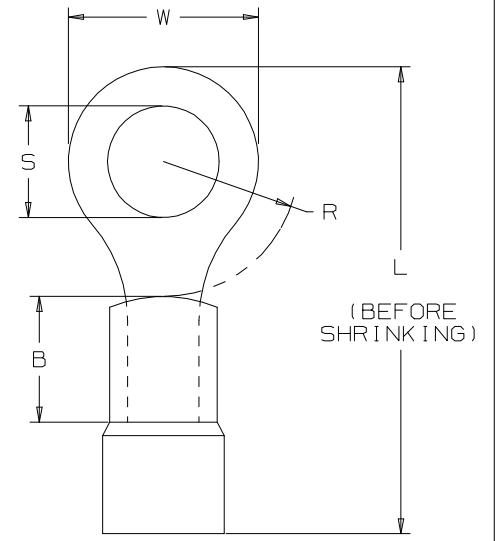
Email & Skype: info@chipsmall.com Web: www.chipsmall.com

Address: A1208, Overseas Decoration Building, #122 Zhenhua RD., Futian, Shenzhen, China



THIS COPY IS PROVIDED ON A RESTRICTED BASIS AND IS NOT TO BE USED IN ANY WAY DETRIMENTAL TO THE INTERESTS OF PANDUIT CORP.

PANDUIT PART NUMBER	WIRE RANGE (AWG)	STUD SIZE S	DIMENSIONS			MAX WIRE INSUL. DIA.	R MIN WASHER RADIUS	INSUL. COLOR	PKG QTY
			B ±.01" (±.25)	W ±.01" (±.25)	L (min.)				
PH18-6R	22-18	#6	.250 (6.35)	.25 (6.35)	1.05 (26.67)	.170 (4.32)	.130 (3.30)	RED	25
PH18-8R	22-18	#8	.250 (6.35)	.31 (7.87)	1.08 (27.43)	.170 (4.32)	.140 (3.56)	RED	25
PH18-10R	22-18	#10	.250 (6.35)	.31 (7.87)	1.08 (27.43)	.170 (4.32)	.172 (4.37)	RED	25
PH18-14R	22-18	1/4"	.250 (6.35)	.47 (11.94)	1.24 (31.50)	.170 (4.32)	.290 (7.37)	RED	25
PH14-6R	16-14	#6	.250 (6.35)	.31 (7.87)	1.06 (26.92)	.190 (4.83)	.130 (3.30)	BLUE	25
PH14-8R	16-14	#8	.250 (6.35)	.31 (7.87)	1.03 (26.16)	.190 (4.83)	.140 (3.56)	BLUE	25
PH14-10R	16-14	#10	.250 (6.35)	.32 (8.12)	1.05 (26.67)	.190 (4.83)	.172 (4.37)	BLUE	25
NCPH14-10R	16-14	#10	.250 (6.35)	.32 (8.12)	1.05 (26.67)	.190 (4.83)	.172 (4.37)	BLUE	500
PH14-14R	16-14	1/4"	.250 (6.35)	.46 (11.68)	1.24 (31.50)	.190 (4.83)	.290 (7.37)	BLUE	25
PH14-56R	16-14	5/16"	.250 (6.35)	.46 (11.68)	1.24 (31.50)	.190 (4.83)	.290 (7.37)	BLUE	25
PH14-38R	16-14	3/8"	.250 (6.35)	.53 (13.46)	1.24 (31.50)	.190 (4.83)	.290 (7.37)	BLUE	25
PH10-8R	12-10	#8	.250 (6.35)	.37 (9.40)	1.22 (30.99)	.240 (6.10)	.140 (3.56)	YELLOW	20
PH10-10R	12-10	#10	.250 (6.35)	.37 (9.40)	1.20 (30.48)	.240 (6.10)	.172 (4.37)	YELLOW	20
NCPH10-10R	12-10	#10	.250 (6.35)	.37 (9.40)	1.20 (30.48)	.240 (6.10)	.172 (4.37)	YELLOW	200
PH10-14R	12-10	1/4"	.250 (6.35)	.52 (13.21)	1.20 (30.48)	.240 (6.10)	.290 (7.37)	YELLOW	20
NCPH10-14R	12-10	1/4"	.250 (6.35)	.52 (13.21)	1.20 (30.48)	.240 (6.10)	.290 (7.37)	YELLOW	200
PH10-38R	12-10	3/8"	.250 (6.35)	.59 (14.99)	1.20 (30.48)	.240 (6.10)	.290 (7.37)	YELLOW	20
PH10-12R	12-10	1/2"	.250 (6.35)	.72 (18.29)	1.54 (39.12)	.240 (6.10)	.350 (8.89)	YELLOW	20



UL LISTED 1200 E52164

CSA CERTIFIED 73971

NOTES:

- UL LISTED AND CSA CERTIFIED AFTER HEAT SHRINKING FOR:
 - A. 600 V. MAX. VOLTAGE RATING
 - B. 257°F (125°C) MAX. TEMPERATURE RATING.
- MATERIAL:
 - A. TERMINAL- TIN PLATED COPPER WITH BRAZED SEAM.
 - B. INSULATOR- HEAT SHRINKABLE POLYOLEFIN WITH HOT MELT SEALANT.
- MINIMUM SHRINK TEMPERATURE: 300°F (150°C)
- ALL DIMENSIONS SHOWN ARE NOMINAL.
- INSTALLATION TOOL: CT-310
- WIRE STRIP LENGTH: 5/16^{+1/16}. (7.9^{+1.6}.)

07	8-25-16	TMR	TMR	RGB	UPDATED TONGUE WIDTH TOLERANCE FROM .005" TO .01"	A41456
06	04-26-13	JBN	RTFI	RTFI	UPDATED DRAWING BORDER & TITLE BLOCK	A41456
REV	DATE	BY	CHK	APR	DESCRIPTION	ECN

TITLE						
RING TERMINALS, HEAT SHRINK INSULATED						
CUSTOMER DRAWING						
ITEM REVISION NAME				N41456BA/07		
DATASET FILE NAME				N41456BA_DC/07		
UNLESS OTHERWISE SPECIFIED, DIMENSIONAL TOLERANCES ARE: IN [mm]				MATERIAL:		
.x ± .1 [2.54]				.xxx ± .005 [.127]		
.xx ± .01 [.25]				ANGLES ± 5 °		
				THIRD ANGLE PROJECTION		
DRAWING NUMBER:				A41456		
DRAWN BY		DATE		CHK		SCALE
DRL		-		-		NONE
SHT 1 OF 1					SIZE	
					A	

B

B

A

A

D10100DA/15